

A.R. North America

Product Catalog



**ANNOVI
REVERBERI**®
The Power of Experience

2023

OUR HISTORY

Corrado Reverberi and Umberto Annovi founded **Annovi Reverberi Spa in Modena, Italy.**

Production of Urania- the first A.R. pump.

1958

Ralph Notch founded **A.R. North America, Inc.**

1989

*First Asian operations office opens in **Shanghai.***

A.R. North America, Inc. moves into NEW 57,000 square foot warehouse in Fridley, Minnesota.

2004

A.R. North America, Inc.
Completed construction on Warehouse #3 - gained 82% for a total of 104,000 square feet.

2015

New Annovi Reverberi Headquarters & Innovation Lab in Modena.

2020

New factory in Modena.

A.R. world leader in crop spraying pumps. Plunger pumps production start-up.

1974

New factory in Bomporto.

RKV plunger pump. Annovi Reverberi captures U.S. market.

1995

*Kyle and Jon Notch take the reins at **A.R. North America, Inc.***

2013

A.R. North America, Inc.
Added Diaphragm Pumps.

2017

New Annovi Reverberi Testing Room in Modena.

2021

Challenges, Successes, and Passion

"It's been an unfolding of events marked by challenges, courageous choices and some daring moves. A helter-skelter ride that has called for unwavering commitment and absolute dedication, intelligence, vigilance and sometimes, discretion and patience.

Whatever the situation, the journey has been thrilling and rewarding. The milestones of our success."

- Corrado Reverberi

Annovi Reverberi: More than 60 years of Italian excellence

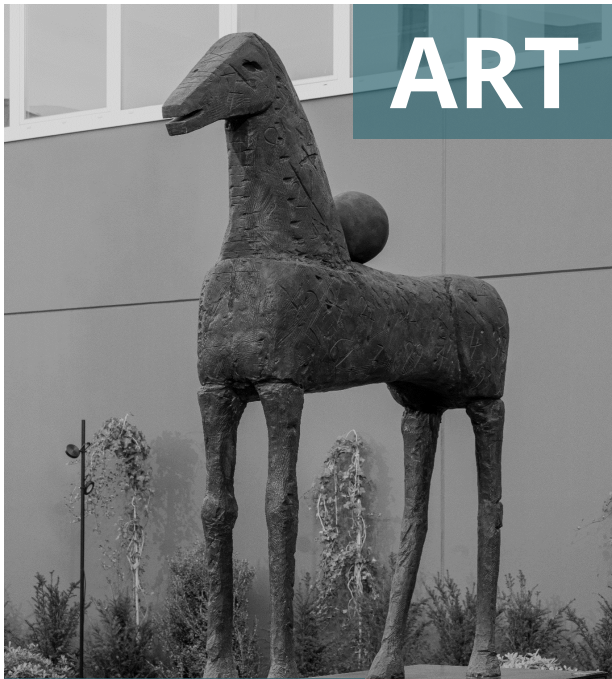
Founded in 1958 by Corrado Reverberi, Annovi Reverberi is still an Italian family-owned company, a mechanical engineering reality strongly linked to the territory and made up of people, ideas and innovative projects. An example of Italian entrepreneurship based on experience, innovation and passion.

A brand recognized all over the world as a symbol of top quality and Italian know-how. It's more than 60 year history has seen the Annovi Reverberi group grow considerably and become a leader in three sectors of reference: agriculture with the production of diaphragm pumps; industry through the success of AR plunger pumps and, finally, in the 90s, cleaning with the development of high-pressure washers and vacuum cleaners.



**HQ IN
MODENA**

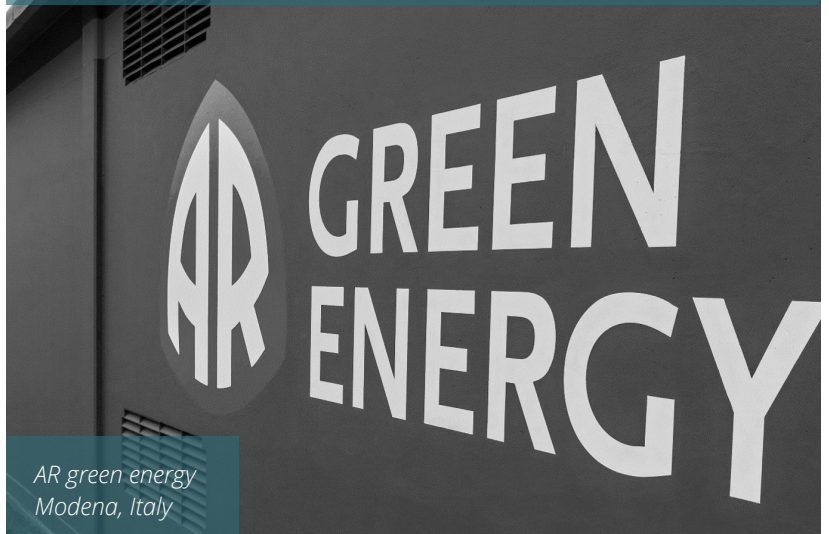
ART



*"Cavallo con Sfera e Numeri"
di Mimmo Paladino.
"Horse with Sphere and Numbers"
by Mimmo Paladino.*

We know how art and beauty are powerful means to channel creativity and innovation which can be transmitted throughout our workspace.

SUSTAINABILITY



*AR green energy
Modena, Italy*

Not a concept but real actions to achieve social economic and environmental sustainability. Processes improvements to reduce environmental impact, total recycling of waste water, total recycling of industrial waste, high energy efficiency control of the new testing room, sustainable and high efficiency product development, profit reinvestment in local economy; these are only some of the actions taken by Annovi Reverberi in order to increase sustainability.

INNOVATION

New machining center
Modena, Italy

Made in Annovi Reverberi
"Made in Annovi Reverberi" is a synonym of technological innovation, quality, Italian performance and corporate social responsibility. Behind every Annovi Reverberi product there are years of research, passion and patience, every pump is the result of the highest Italian quality combined with the most advanced production technologies.

For every industry the plunger pump you need

Relentless pursuit for Quality, Technological Innovation, and product excellence is ingrained in our DNA. Our passion can be seen translated to action in our "new" state of the art machining center of excellence in Bomporto, Italy. This facility services our ever-growing pursuit for improvement in our full range of plunger pumps where our breath of line services not only cleaning but a wide variety of industries in misting, reverse osmosis, dust suppression, blasting, sanitation, hydrostatic testing, hydro excavation, firefighting, homogenization, food processing, and many more.

In every industry you can see the "AR difference"! Experience combined with tireless attention to detail and high-quality components, are all factors in producing and developing pumps that lead the industry standard. AR Pumps are reliable, efficient, and run quiet. Each pump feature strict tolerances, with ceramic plungers helping to reduce maintenance while providing the ultimate experience.

A.R. NORTH AMERICA



NORTH AMERICA

A reliable partner

Nestled in Fridley MN AR North America (ARNA) has been a beacon for Annovi Reverberi since 1989. For 30+ years ARNA has been a flexible, reliable partner source of Plunger Pumps, Diaphragm pumps, Motors, and Accessories for all North and South America. ARNA focuses on a flexible customized customer first approach by keeping stock levels high and catering to everchanging customer needs and customizations.

OUR MISSION

We know how art and beauty are powerful means to channel creativity and innovation which can be transmitted throughout our workspace.

OUR VALUES

*We blend high quality standards and **Italian know-how** in all our products to meet our customers' needs.*



PEOPLE



TRADITION & INNOVATION



PASSION FOR QUALITY



ENVIRONMENTAL SUSTAINABILITY



PERFORMANCE & RELIABILITY



TAILORED CUSTOMIZATION

OUR JOURNEY

Since 1958 Annovi Reverberi has been the world's leading manufacturer of diaphragm pumps for agriculture and plunger pumps for industrial washing.

Today, Annovi Reverberi has a major presence in the cleaning sector thanks to its high pressure cleaners, for both private and professional use, representing pioneering solutions in the global market.

OUR INDUSTRIES

Agricultural

- Diaphragm pumps
- Control units
- Electric motor pump assemblies
- Motor-driven pump assemblies
- 12 Volt pumps

Industrial

- Plunger pumps
- Axial pumps
- Electric motor pump units
- Hydraulic drive
- Accessories

Cleaning

- High Pressure Washers
- Detergents
- Accessories

Modena HQ



**ANNOVI
REVERBERI**
GROUP



**ANNOVI
REVERBERI**
The Power of Experience

Minneapolis
Memphis



**NORTH
AMERICA**
When Quality Matters



Bomporto
Reggio Emilia
Novara



PROXima
GENERAL PRODUCTS SALES & MARKETING



XFORM

Shanghai



CHINA
艾热中国



**PERFORMANCE
PUMP**
上海艾热性能泵有限公司

XFORM

A.R. GROUP

50 design patents

100+ technical patents

200+ product certifications

3 Divisions

4 Manufacturing Facilities

2,300+ Distributors

100 Countries Reached

5 Continents

500 Employees



QUALITY INSIDE

A.R. plunger pumps are compact and silent running.

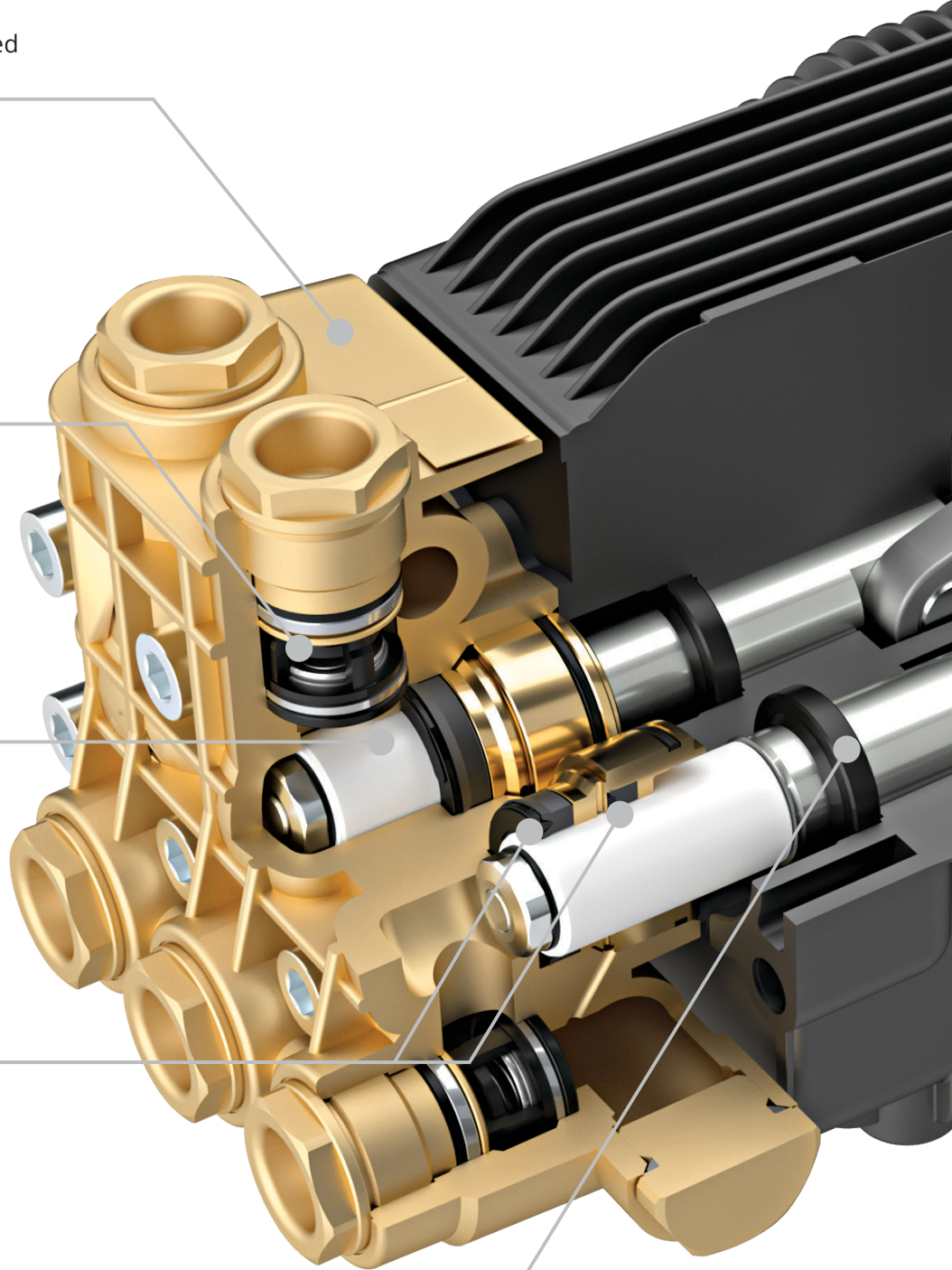
Forged brass pump head, designed for strength.

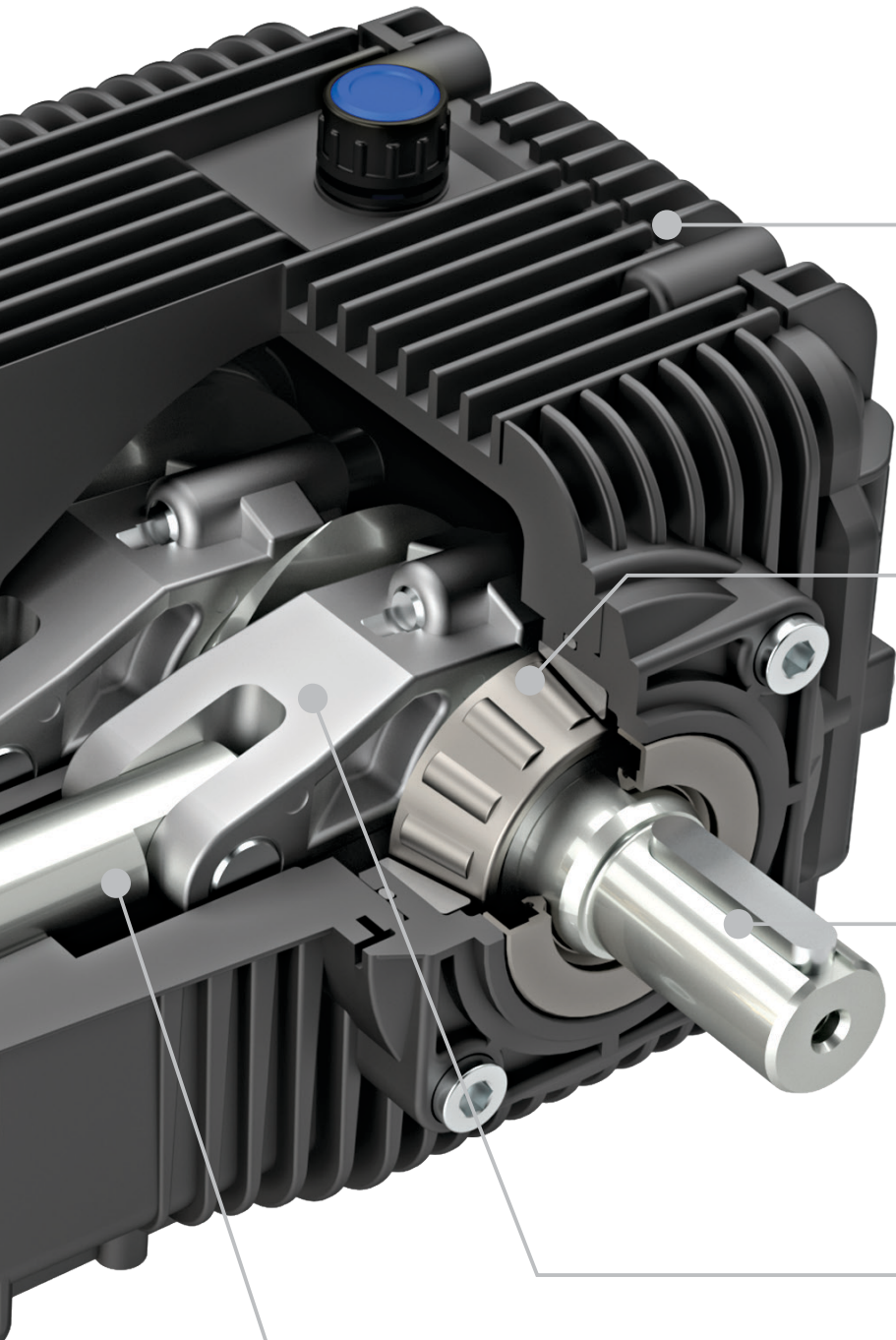
Suction and delivery valves with larger water passages.

Extra-thick ceramic plungers for greater durability.

Double gasket sealing system.

Double lip oil seals.





Ruggedly designed crankcase with deep fins for better cooling.

Top quality, oversized tapered roller bearings.

Oversized shaft with long end section for better torque transmission.

Oversized connecting-rods in a special low-friction alloy. Split into two parts for easier maintenance.

Oversized, piston guides for smoother stroke and better oil seal performance.



TABLE OF CONTENTS

PUMPS	
RESIDENTIAL PUMPS	P 10
COMMERCIAL PUMPS	P 26
INDUSTRIAL PUMPS	P 72
HYDRAULIC PUMPS & MOTORS	P 82
STAINLESS STEEL PUMPS	P 94
HOT WATER PUMPS	P 110
SPECIALTY PUMPS	P 116
MIST UNITS	P 122
ELECTRIC MOTORS	P 124
SKID UNITS	P 128
PUMP PACKAGES	P 130
POLYPROPYLENE DIAPHRAGM PUMPS	P 134
AGRICULTURE ACCESSORIES	P 140
VACUUM PUMPS	P 144
<hr/>	
ACCESSORIES	P 150
<hr/>	
PRESSURE WASHERS	P 228
<hr/>	
GENERAL INFORMATION	P 244
<hr/>	
WARRANTIES	P 248

DETAILED BREAKDOWN

RESIDENTIAL PUMPS P 10

RQ SERIES	P 11-12
RSV SERIES	P 13-14
RM SERIES	P 15-18
RX SERIES	P 19
SJV SERIES	P 20
XJV SERIES	P 21
JR SERIES	P 22-24

COMMERCIAL PUMPS P 26

RC SERIES	P 27-33
XT SERIES	P 34-88
XM SERIES	P 39-48
RR SERIES	P 49-52
RK SERIES	P 53-57
RG SERIES	P 58-60
XW SERIES	P 61-66
SXW SERIES	P 67-68
RGX SERIES	P 69-70

INDUSTRIAL PUMPS P 72

XWP SERIES	P 73
SHP SERIES	P 74-75
RT SERIES	P 76-81

HYDRAULIC PUMPS & MOTORS P 82

RK SERIES	P 83
XM SERIES	P 84
XW SERIES	P 85
HYDRAULIC DRIVE UNITS	P 86-89
HYDRAULIC MOTORS & KITS	P 90-91

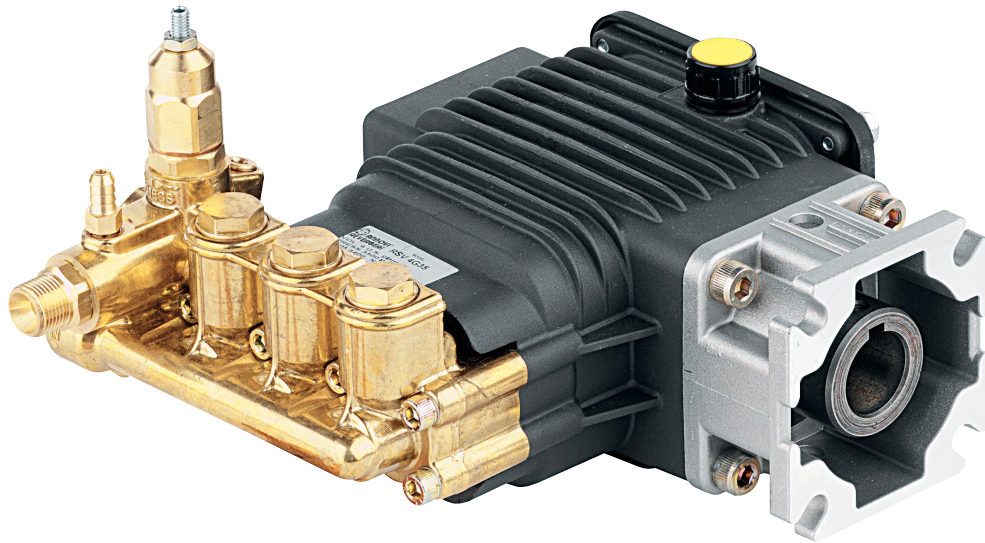
ACCESSORIES P 150

ARTEL ACCESSORIES	P 179
BOLONDI CLEANING HEADS	P 194-197
CHEMICAL INJECTORS	P 169-170
CONNECTORS & NIPPLES	P 212-214
CONTROLLERS	P 216
COUPLINGS	P 154
DETERGENT SUCTION FILTERS & HOSE	P 171
ELECTRIC CLUTCHES	P 153
FLANGES/COUPLINGS	P 154
FLUIDS	P 151
FOAMERS	P 193
GARDEN HOSE ADAPTERS	P 206
GEAR BOXES	P 153
HIGH PRESSURE SOAP NOZZLES	P 187
HOSE REELS & CARTS	P 220
INLET KING NIPPLES	P 215
JETTER VALVES	P 202
LANCES & HANDLES	P 175-180
NOZZLES: MEG & MULTIPACKS	P 190-191
NOZZLE HOLDERS	P 192
PIVOT & PULSATION DAMPENERS	P 210
PRESSURE GAUGES & DAMPENERS	P 217
NOZZLES: QC & MULTIPACKS	P 188-189
QUICK COUPLINGS & PLUGS	P 207-209
RAIL KITS	P 152
REGULATORS	P 156
REPLACEMENT O-RINGS	P 206
SAFETY/RELIEF/POP-OFF VALVES	P 157
SANDBLASTERS & KITS	P 198
SEWER CLEANING	P 199-203
SLUDGE PUMPS & HOSES	P 218-219
STEAM WEED CONTROL	P 204
SUPEREX CLAMPS	P 221-226
SURFACE CLEANERS	P 205
SWITCHES	P 166-167
SWIVEL COUPLERS	P 211
THERMAL VALVES/RELIEF VALVES	P 155
THERMOSTAT	P 216
TOOLS	P 151
TRIGGER GUNS	P 172-173
TRIGGER GUNS W/EXTENSIONS	P 174
UNLOADERS	P 158-164
UNLOADERS W/PRESSURE SWITCHES	P 165
VALVES	P 168
VALVE CAPS	P 152
NOZZLES: FLARED & ROTARY	P 181-186
WATER BROOMS	P 204
WHIPCHECK	P 226

RESIDENTIAL PUMPS

RQV
RQW
RSV
RMV
RMW
SRMV

SRMW
RXV
SJV
XJV
JRA
JRV

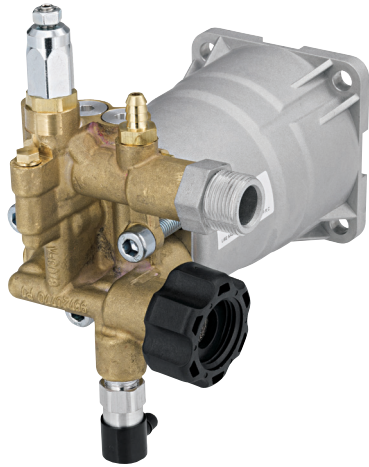


Many options for both gas engines & electric motors.

Great for homeowners and less than everyday use.

Options in both crankshaft and radial axial drive.

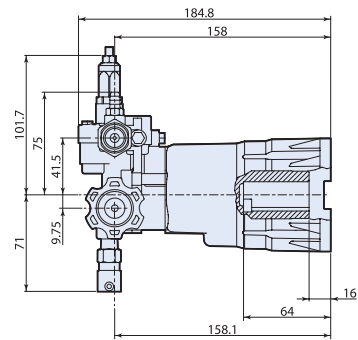
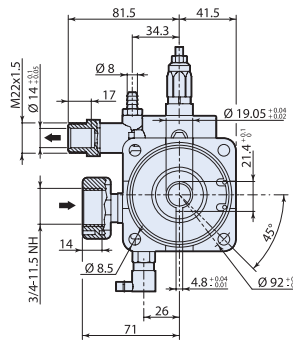
Options to cover a wide range of small projects.







Residential

140° F - Max Water Temp
 3/4" GHA - Inlet Thread
 22mm x 14 M - Discharge Thread
 2.29 oz - Oil Capacity

-  aluminum head
-  brass head
-  thermal relief valve
-  easy start valve



D version

MOD	 MAX	 MAX		 NET	BORE DIA	STROKE	CRANKSHAFT ID STAMP	LIST PRICE				
	l/min	gpm	bar	psi	ebhp	rpm	lbs	mm	mm		\$	
RQV 3400 rpm D version 3/4" with Gas Engine Flange												
RQV25G26D-EZ	● ○ ●	9.5	2.5	166	2600	4.1	3400	4.25	12	9	3	\$251.41
RQV25G30D-EZ	● ○ ●	9.5	2.5	206	3000	5.5	3400	4.25	12	9	3	\$339.94

SPECIAL PARTS / KITS

MOD	DESCRIPTION	LIST PRICE
AR64545	Oil (4.5 oz)	\$15.47

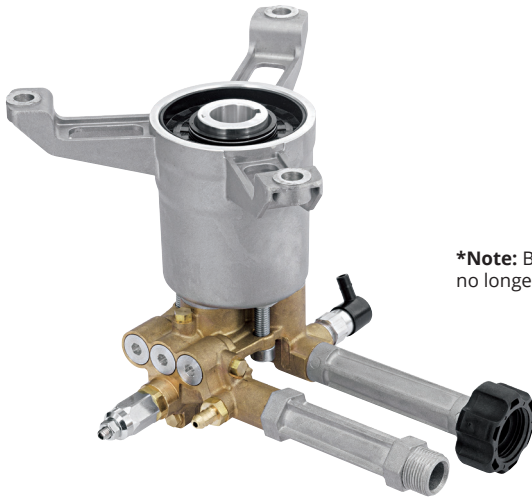
REPAIR KITS

MOD	DESCRIPTION	QTY	LIST PRICE
AR42955	Valves	6	\$37.87
AR42956	Pistons	3	\$29.40
AR42958	Water Seals	3	\$16.93
AR42959	Oil Seals	4	\$24.88
AR42960	O-Rings	25	\$27.95



RQW

HOLLOW SHAFT PUMP



***Note:** Brass manifold no longer available

Residential

140° F - Max Water Temp
 3/4" GHA - Inlet Thread
 22mm x 14 M - Discharge Thread
 2.29 oz - Oil Capacity



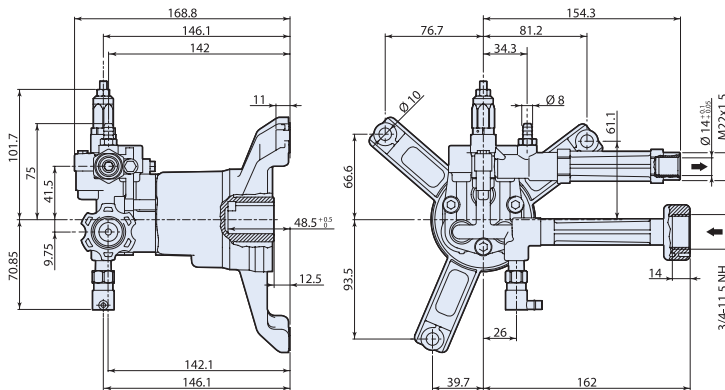
● aluminum head



○ thermal relief valve



● easy start valve



D version

MOD	MAX	MAX		NET	BORE DIA	STROKE	CRANKSHAFT ID STAMP	LIST PRICE
	l/min	gpm	bar	psi	ebhp	rpm	lbs	mm

RQW 3400rpm D version 7/8" with Gas Engine Flange												
RQW22G26-EZ	● ○ ●	8.3	2.2	173	2600	3.9	3400	7.1	12	8.29	5	\$251.41
RQW22G26-EZ-SX	● ○ ●	8.3	2.2	173	2600	3.9	3400	7.1	12	8.29	5	\$251.41

SPECIAL PARTS / KITS

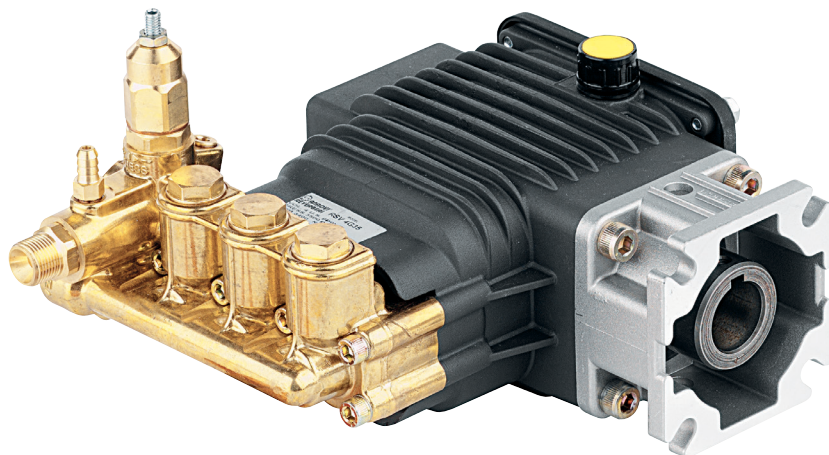
MOD	DESCRIPTION	LIST PRICE
AR64545	Oil (4.5 oz)	\$15.47

REPAIR KITS

MOD	DESCRIPTION	QTY	LIST PRICE
AR42955	Valves	6	\$37.87
AR42956	Pistons	3	\$29.40
AR42957	Oil Seals	3	\$17.33
AR42958	Water Seals	4	\$16.93
AR42959	Oil Seals	25	\$24.88

RSV-25

HOLLOW SHAFT PUMP



On request

Residential

140° F - Max Water Temp
 3/8" F - Inlet Thread
 3/8" M - Discharge Thread
 16 oz - Oil Capacity



● brass head



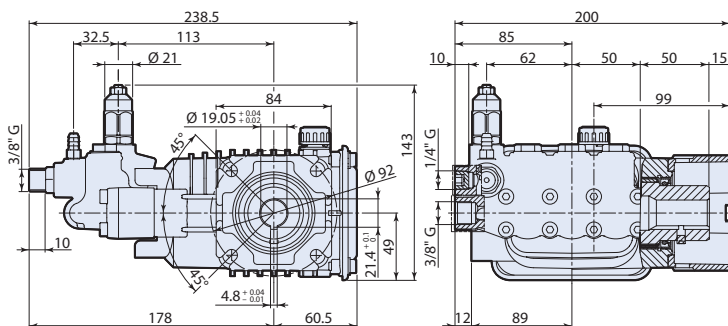
○ aluminum connecting-rods



○ thermal relief valve



● easy start valve



D version + F25

MOD	MAX	MAX		NET	BORE DIA	STROKE	CRANKSHAFT ID STAMP	LIST PRICE			
	l/min	gpm	bar	psi	ebhp	rpm	lbs	mm	mm		\$
RSV 3400rpm D version + F25 Ø3/4"											
RSV3G30D-F25EZ ● ○ ○ ●	11.4	3	206	3000	6.2	3400	14	15	7.6	9	\$688.14

SPECIAL PARTS / KITS

MOD	DESCRIPTION	LIST PRICE
AR42304	EZ Start assembly	\$38.99
AR2280	Unloader Kit - up to 3200 PSI (no knob with seat)	\$121.76
AR42369	Unloader Kit - above 3200 PSI (no knob with seat)	\$101.06
AR42128	Unloader Kit - above 3200 PSI (with knob without seat)	\$108.96
AR42527	Complete manifold with EZ start	\$524.82
AR42546	Complete manifold non EZ start	\$556.24
AR2761050	Bare manifold with EZ start	\$262.43
AR2760330	Bare manifold non EZ start	\$262.43
AR64516	Oil (16 oz)	\$15.80

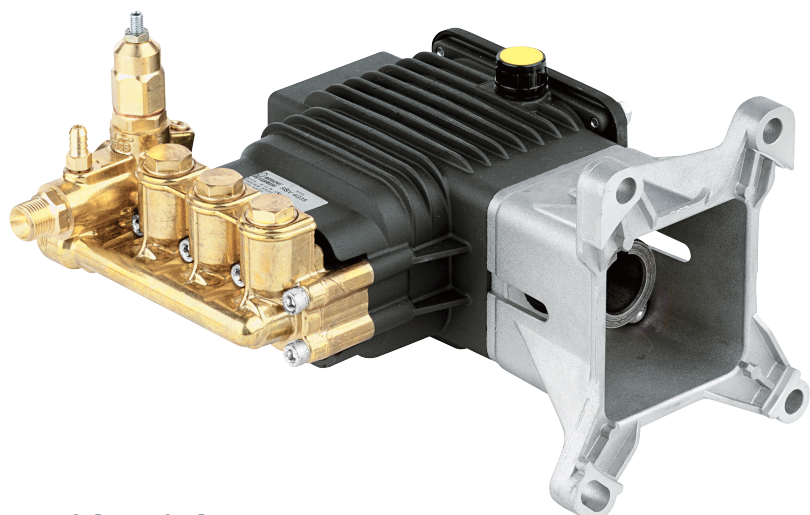
REPAIR KITS

MOD	DESCRIPTION	QTY	LIST PRICE
AR42666	Valves and Caps	6	\$81.03
AR2187	Pistons	3	\$200.36
AR2189	Water Seals	3	\$94.28
AR2188	Oil Seals	4	\$61.84
AR2190	O-Rings	17	\$15.01
AR2191	Support Ring	3	\$7.21



RSV-40

HOLLOW SHAFT PUMP



On request

Residential

140° F - Max Water Temp
 3/8" F - Inlet Thread
 3/8" M - Discharge Thread
 16 oz - Oil Capacity



brass head



bronze connecting rods



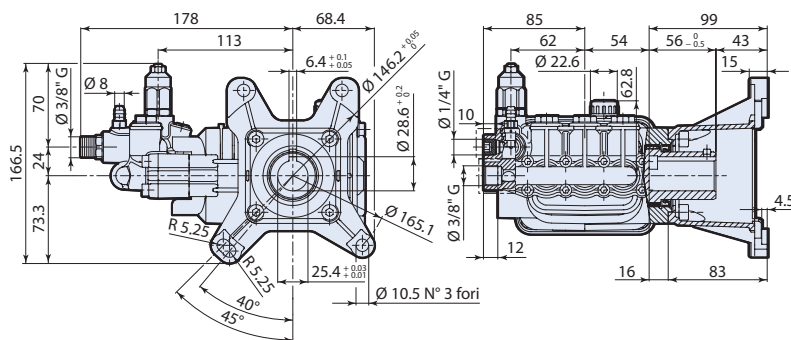
aluminum connecting rods



thermal relief valve



easy start valve



D version + F40

MOD	MAX	MAX		NET	BORE DIA	STROKE	CRANKSHAFT ID STAMP	LIST PRICE	
	l/min	gpm	bar	psi	ebhp	rpm	lbs	mm	
RSV 3400 rpm D version + F40 Ø1" with Gas Engine Flange									
RSV3G34D-F40	● ○ ○	11.4	3	234	3400	7.0	3400	14 15 7.6 9	\$766.05
RSV33G31D-F40EZ	● ○ ●	12.6	3.3	213	3100	7.0	3400	14 15 7.6 9	\$766.05
RSV35G40D-F40	● ○ ○	13.2	3.5	275	4000	9.6	3400	14 15 8.2 8	\$766.05
RSV4G40HDF40EZ	● ○ ●	15.1	4	275	4000	11.0	3400	14 15 9.4 7	\$766.05

SPECIAL PARTS / KITS

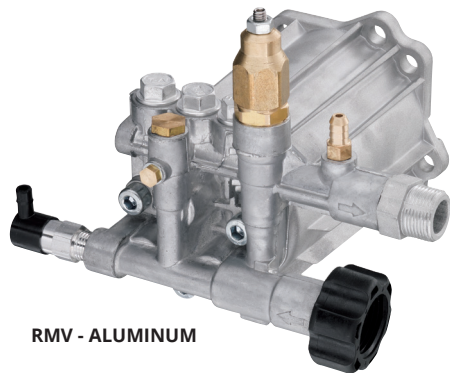
MOD	DESCRIPTION	LIST PRICE
AR42304	EZ Start assembly	\$38.99
AR2280	Unloader Kit - up to 3200 PSI (no knob with seat)	\$121.76
AR42369	Unloader Kit - above 3200 PSI (no knob with seat)	\$101.06
AR42128	Unloader Kit - above 3200 PSI (with knob without seat)	\$108.96
AR42527	Complete manifold with EZ start	\$524.82
AR42546	Complete manifold non EZ start	\$556.24
AR2761050	Bare manifold with EZ start	\$262.43
AR2760330	Bare manifold non EZ start	\$262.43
AR64516	Oil (16 oz)	\$15.80

REPAIR KITS

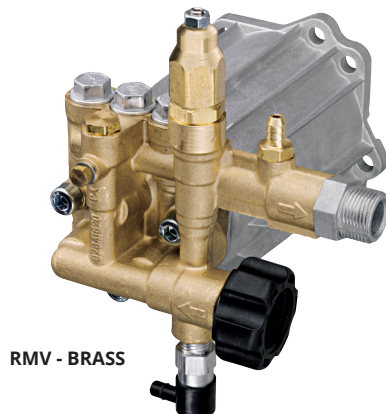
MOD	DESCRIPTION	QTY	LIST PRICE
AR42666	Valves and Caps	6	\$81.03
AR2187	Pistons	3	\$200.36
AR2189	Water Seals	3	\$94.28
AR2188	Oil Seals	4	\$61.84
AR2190	O-Rings	17	\$15.01
AR2191	Support Ring	3	\$7.21

RMV

HOLLOW SHAFT PUMP



RMV - ALUMINUM



RMV - BRASS

Residential

140° F - Max Water Temp
 3/4" GHA - Inlet Thread
 22mm x 14 M - Discharge Thread
 2.2 oz - Oil Capacity



● aluminum head



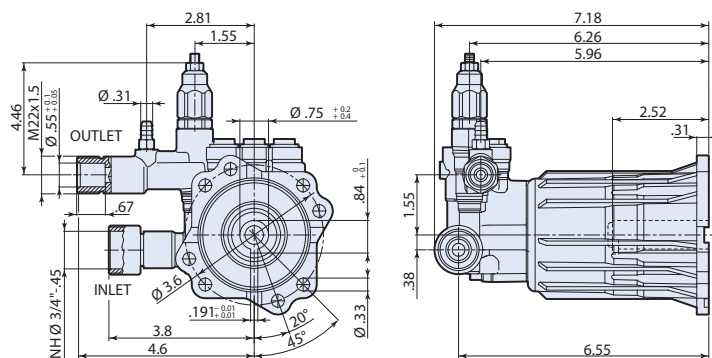
● brass head



○ thermal relief valve



● easy start valve



D version

MOD	MAX	MAX		NET	BORE DIA	STROKE	CRANKSHAFT ID STAMP	LIST PRICE				
	l/min	gpm	bar	psi	ebhp	rpm	lbs	mm	mm	\$		
RMV 3400rpm D version 3/4" with Gas Engine Flange												
RMV2G25D	● ○	7.6	2	172	2500	3.4	3400	7.5	12	7.58	7	\$398.95
RMV22G24D-EZ	● ○ ●	8.3	2.2	166	2400	3.6	3400	7.2	12	8.3	5	\$280.92
RMV25G24D	● ○	9.5	2.5	166	2400	4.0	3400	7.2	12	9.7	1	\$280.92
RMV25G30D-EZ	● ○ ●	9.5	2.5	200	3000	5.1	3400	7.5	12	9.7	1	\$398.95

* - 3/8" Quick Connect Outlet

SPECIAL PARTS / KITS

MOD	DESCRIPTION	LIST PRICE
AR2841340	3/8" Quick Connect Outlet	\$59.50
AR42125	Chemical Injector Kit	\$8.96
AR42321	Inlet Kit	\$20.83
AR64545	Oil (4.5 oz)	\$15.47

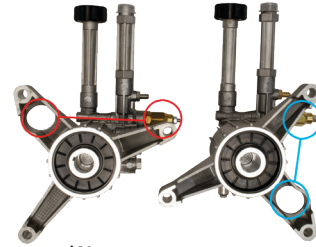
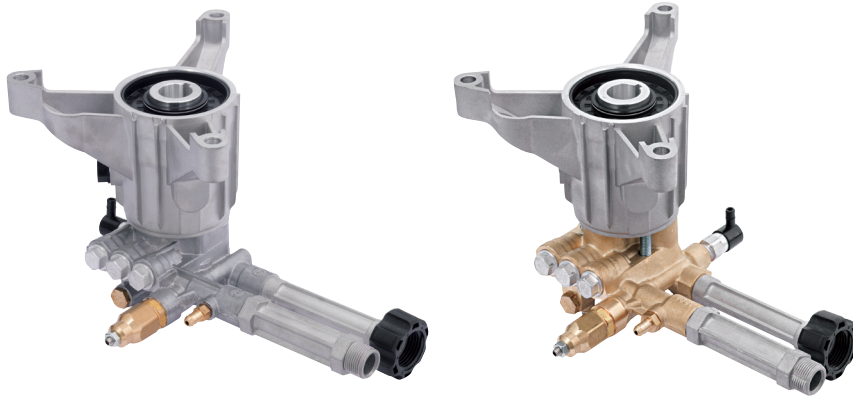
REPAIR KITS

MOD	DESCRIPTION	QTY	LIST PRICE
AR42123	Valves for brass heads	6	\$33.84
AR2233	Valves for aluminum heads	6	\$20.56
AR42161	Pistons 2 GPM	3	\$46.98
AR2234	Pistons 2.5 GPM	3	\$46.98
AR42122	Water Seals 2 GPM	3	\$16.96
AR2235	Water Seals 2.5 GPM	3	\$28.11
AR2236	Oil Seals	4	\$21.58
AR2237	O-Rings 2 GPM	16	\$18.21
AR42701	O-Rings 2.5 GPM	16	\$31.74
AR42118	Unloader	1	\$80.38



RMW

HOLLOW SHAFT PUMP



***Note:**

- SX Style - left handed pumps have a hole in the leg opposite of the unloader.
- Non-SX Style - right handed pumps have a hole in the leg on the same side as the unloader.

Residential

140° F - Max Water Temp
 3/4" GHA - Inlet Thread
 22mm x 14 M - Discharge Thread
 2.2 oz - Oil Capacity



● aluminum head



● brass head

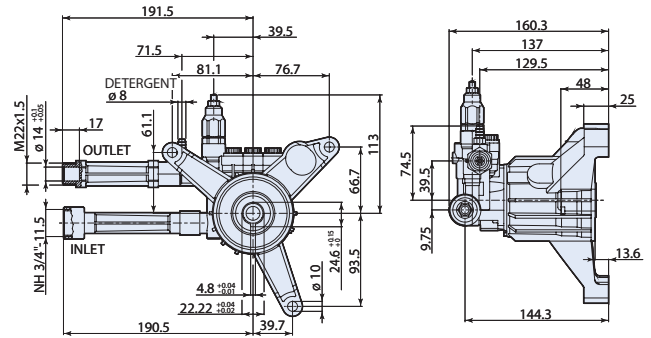


○ thermal relief valve



● easy start valve

D version



MOD		MAX	MAX		NET	BORE DIA	STROKE	CRANKSHAFT ID STAMP	LIST PRICE			
		l/min	gpm	bar	psi	ebhp	rpm	lbs	mm	mm		\$
RMW 3400rpm D version 7/8" with Vertical Gas Flange												
RMW2G25D	● ○	7.6	2	172	2500	3.4	3400	7.7	12	7.58	7	\$398.95
RMW22G24-EZ	● ○ ●	8.3	2.2	166	2400	3.6	3400	7.3	12	8.3	5	\$280.92
RMW22G24-EZ-SX	● ○ ●	8.3	2.2	166	2400	3.6	3400	7.3	12	8.3	5	\$280.92
RMW25G25D	● ○	9.5	2.5	172	2500	4.3	3400	7.7	12	9.7	1	\$398.95
RMW25G26D-F7 *	● ○	9.5	2.5	180	2600	4.8	3400	7.7	12	8.3	5	\$430.83
RMW25G28DF7EZ-TRV *	● ○ ●	9.5	2.5	173	2800	4.5	3400	7.7	12	9.7	1	\$398.95
RMW25G28-EZ	● ○ ●	9.5	2.5	193	2800	4.8	3400	7.7	12	9.7	1	\$398.95
RMW25G28-EZ-SX	● ○ ●	9.5	2.5	193	2800	4.8	3400	7.7	12	9.7	1	\$398.95

SX - 180° Rotated Shaft Configuration

* - 4 Bolt SAE Flange

SPECIAL PARTS / KITS

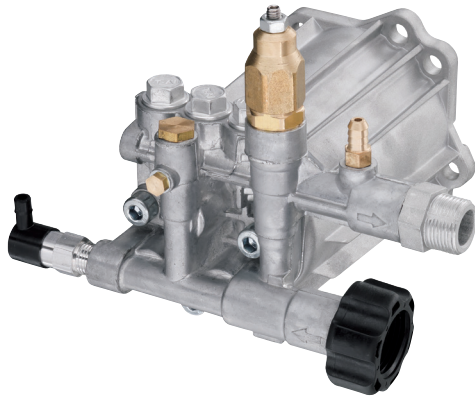
MOD	DESCRIPTION	LIST PRICE
AR43061	Complete Manifold - aluminum	\$177.79
AR42142	EZ start kit	\$11.34
AR42165	Inlet - with o-ring	\$27.86
AR42166	Outlet - with o-ring	\$13.09
AR42141	Grub screw and washer	\$4.72
AR42125	Chemical injection kit	\$8.96
AR46377	Complete Manifold RMW25G28	\$379.06
AR64545	Oil (4.5 oz)	\$15.47

REPAIR KITS

MOD	DESCRIPTION	QTY	LIST PRICE
AR2233	Valves 2 / 2.2 GPM	6	\$20.56
AR42123	Valves 2.5 GPM	6	\$33.84
AR42161	Pistons 2 / 2.2 GPM	3	\$46.98
AR2234	Pistons 2.5 GPM	3	\$46.98
AR42122	Water Seals 2 / 2.2 GPM	3	\$16.96
AR2235	Water Seals 2.5 GPM	3	\$28.11
AR2236	Oil Seals	4	\$21.58
AR2237	O-Rings 2 / 2.2 GPM	16	\$18.21
AR42701	O-Rings 2.5 GPM	16	\$31.74
AR42118	Unloader	16	\$80.38

SRMV

HOLLOW SHAFT PUMP



Residential

140° F - Max Water Temp
 3/4" GHA - Inlet Thread
 22mm x 14 M - Discharge Thread
 2.2 oz - Oil Capacity



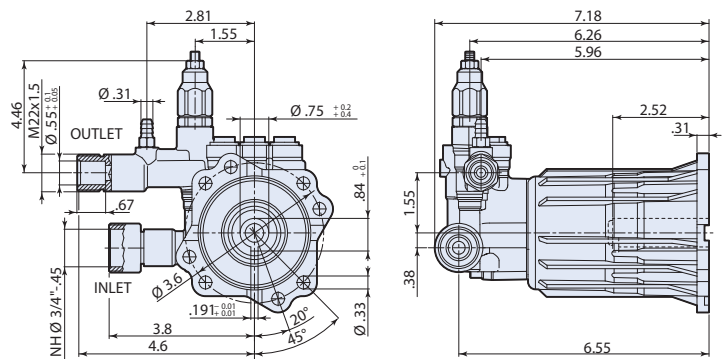
● aluminum head



○ thermal relief valve



● easy start valve



D version

MOD	MAX	MAX		NET	BORE DIA	STROKE	CRANKSHAFT ID STAMP	LIST PRICE			
	l/min	gpm	bar	psi	ebhp	rpm	lbs	mm	mm		\$
SRMV 3400rpm D version 3/4" with Gas Engine Flange											
SRMV22G26-EZ ● ○ ●	8.3	2.2	173	2600	3.9	3400	7.5	12	8.3	5	\$280.92
SRMV24G28D-EZ ● ○ ●	9.1	2.4	193	2800	4.6	3400	7.5	12	9.0	3	\$280.92

SPECIAL PARTS / KITS

MOD	DESCRIPTION	LIST PRICE
AR2841340	3/8" Quick Connect Outlet	\$59.50
AR42125	Chemical injector Kit	\$8.96
AR42321	Inlet Kit	\$20.83
AR64545	Oil (4.5 oz)	\$15.47

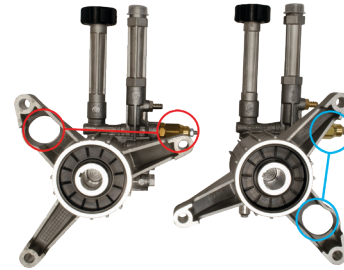
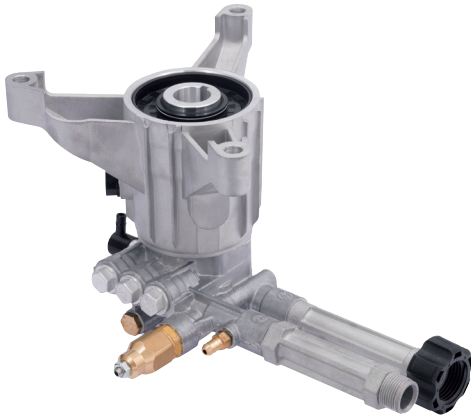
REPAIR KITS

MOD	DESCRIPTION	QTY	LIST PRICE
AR42499	Valves	6	\$32.27
AR42161	Pistons	3	\$46.98
AR42122	Water Seals (SRMV22626)	3	\$16.96
AR2236	Oil Seals (SRMV22626)	4	\$21.58
AR2237	O-Rings (SRMV22626)	16	\$18.21
AR42118	Unloader	1	\$80.38
AR2235	Water Seals (SRMV24G28)	3	\$28.11
AR2236	Oil Seals (SRMV24G28)	4	\$21.58
AR43212	O-Rings (SRMV24G28)	67	\$31.06



SRMW

HOLLOW SHAFT PUMP



***Note:**

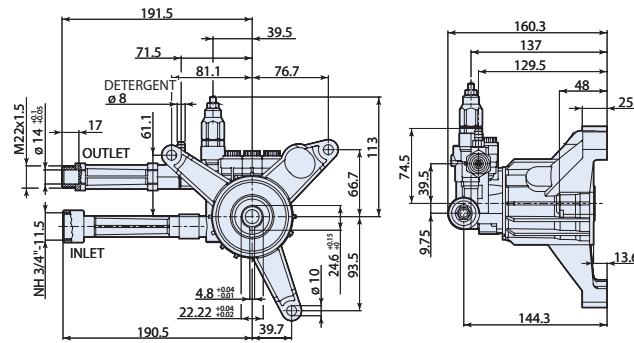
- SX Style - left handed pumps have a hole in the leg opposite of the unloader.
- Non-SX Style - right handed pumps have a hole in the leg on the same side as the unloader.

Residential

140° F - Max Water Temp
 3/4" GHA - Inlet Thread
 22mm x 14 M - Discharge Thread
 2.2 oz - Oil Capacity



- aluminum head
- thermal relief valve
- easy start valve



D version

MOD	MAX	MAX		NET	BORE DIA	STROKE	CRANKSHAFT ID STAMP	LIST PRICE				
	l/min	gpm	bar	psi	ebhp	rpm	lbs	mm	mm		\$	
SRMW 3400rpm D version 7/8" with Vertical Gas Flange												
SRMW22G26-EZ	● ○ ●	8.3	2.2	173	2600	3.9	3400	7.3	12	8.3	5	\$280.92
SRMW24G28-EZ	● ○ ●	9.1	2.4	173	2800	4.6	3400	7.3	12	9.0	3	\$324.60
SRMW22G26-EZ-SX	● ○ ●	8.3	2.2	173	2600	3.9	3400	7.3	12	8.3	5	\$280.92
SRMW24G28-EZ-SX	● ○ ●	9.1	2.4	193	2800	4.6	3400	7.3	12	9.0	3	\$324.60

SX - 180° Rotated Shaft Configuration

SPECIAL PARTS / KITS

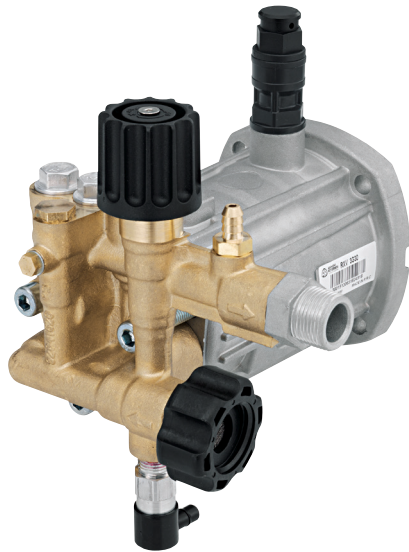
MOD	DESCRIPTION	LIST PRICE
AR42940	Complete Manifold - aluminum	\$172.51
AR42142	EZ start kit	\$11.34
AR42165	Inlet - with o-ring	\$27.86
AR42166	Outlet - with o-ring	\$13.09
AR42141	Grub screw and washer	\$4.72
AR42125	Chemical injection kit	\$8.96
AR43361	Complete Manifold SRMW254G28	\$228.98
AR64545	Oil (4.5 oz)	\$15.47

REPAIR KITS

MOD	DESCRIPTION	QTY	LIST PRICE
AR42499	Valves	6	\$32.27
AR42161	Pistons	3	\$46.98
AR42122	Water Seals	3	\$16.96
AR2236	Oil Seals	4	\$21.58
AR2237	O-Rings	16	\$18.21
AR42118	Unloader	16	\$80.38
AR42866	Shutter Valve	6	\$28.73

RXV

HOLLOW SHAFT PUMP



Residential

140° F - Max Water Temp
 3/4" GHA - Inlet Thread
 22mm x 14 M - Discharge Thread
 3.35 oz - Oil Capacity



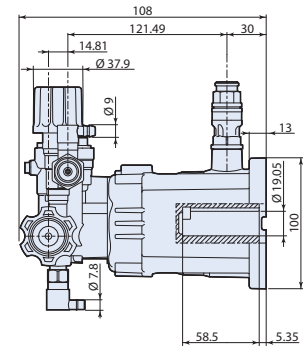
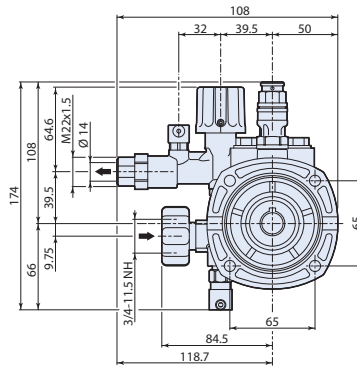
● brass head



○ thermal relief valve



● easy start valve



D version

MOD	MAX	MAX		NET	BORE DIA	STROKE	CRANKSHAFT ID STAMP	LIST PRICE				
	l/min	gpm	bar	psi	ebhp	rpm	lbs	mm	mm		\$	
RXV 3400rpm D version 3/4" with Gas Engine Flange												
RXV25G30D-EZ	● ○ ●	9.5	2.5	206	3000	5.1	3400	8.8	14	6.8	5	\$442.63
RXV3G30D-EZ	● ○ ●	11.4	3	206	3000	5.5	3400	8.8	14	8.2	3	\$442.63
RXV35G30D-EZ	● ○ ●	13.2	3.5	206	3000	7.2	3400	8.8	14	9.7	1	\$442.63

SPECIAL PARTS / KITS

MOD	DESCRIPTION	LIST PRICE
AR64545	Oil (4.5 oz)	\$15.47

REPAIR KITS

MOD	DESCRIPTION	QTY	LIST PRICE
AR42123	Valves	6	\$33.84
AR42950	Pistons	3	\$33.89
AR42952	Water Seals	3	\$52.84
AR42951	Oil Seals	4	\$24.71
AR42953	O-Rings	17	\$12.93



SJV

HOLLOW SHAFT PUMP



Residential

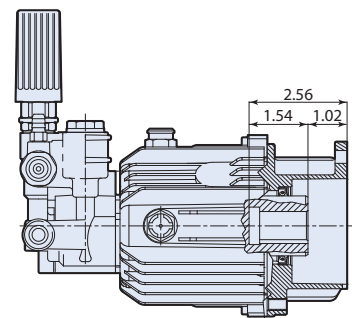
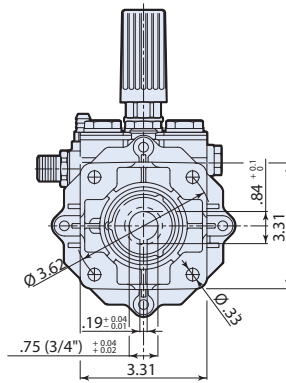
140° F - Max Water Temp
 1/2" M - Inlet Thread
 3/8" M - Discharge Thread
 4.5 oz - Oil Capacity



● brass head



● easy start valve



D version + F7

MOD	MAX		MAX		ebhp	rpm	lbs	BORE DIA	STROKE	CRANKSHAFT ID STAMP	LIST PRICE
	l/min	gpm	bar	psi							
SJV 3400rpm D version 3/4" with Gas Engine Flange											
SJV25G27D-F7 *	9.5	2.5	186	2700	4.5	3400	11	15	5.8	-	\$590.18
SJV25G27D-F7-EZ *	9.5	2.5	186	2700	4.5	3400	11	15	5.8	-	\$590.18
SJV3G27D-EZ	11.4	3	186	2700	5.2	3400	11	15	6.8	-	\$590.18

* - With Adjustable Unloader

SPECIAL PARTS / KITS

MOD	DESCRIPTION	LIST PRICE
AR1981801	Spring - EZ Start	\$2.89
AR64545	Oil (4.5 oz)	\$15.47

REPAIR KITS

MOD	DESCRIPTION	QTY	LIST PRICE
AR2869	Valves	6	\$59.29
AR2513	Pistons	3	\$147.77
AR2167	Water Seals	3	\$38.33
AR2591	Oil Seals	4	\$25.07
AR2799	O-Rings	28	\$25.55
AR2594	Unloader (without Knob)	21	\$73.12
AR2858	Unloader (with Knob)	22	\$118.61
AR42125	Chemical Injector	3	\$8.96

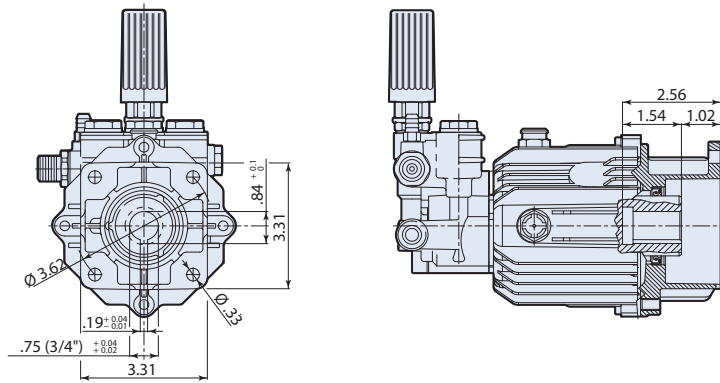


Residential

140° F - Max Water Temp
 1/2" M - Inlet Thread
 3/8" M - Discharge Thread
 4.5 oz - Oil Capacity



● brass head



E version + F8

MOD	MAX	MAX			BORE DIA	STROKE	CRANKSHAFT ID STAMP	LIST PRICE			
	l/min	gpm	bar	psi	ebhp	rpm	lbs	mm	mm		\$
XJV 3400rpm E version 5/8" with Nema 56-C Flange											
XJV2G15E-F8 * ●	7.6	2	100	1500	2.0	3400	11	15	4.8	-	\$590.18
XJV3G20E-F8 * ●	11.4	3	140	2000	4.0	3400	11	15	6.8	-	\$590.18

* - With Adjustable Unloader

SPECIAL PARTS / KITS

MOD	DESCRIPTION	LIST PRICE
AR1981801	Spring - EZ Start	\$2.89
AR64545	Oil (4.5 oz)	\$15.47

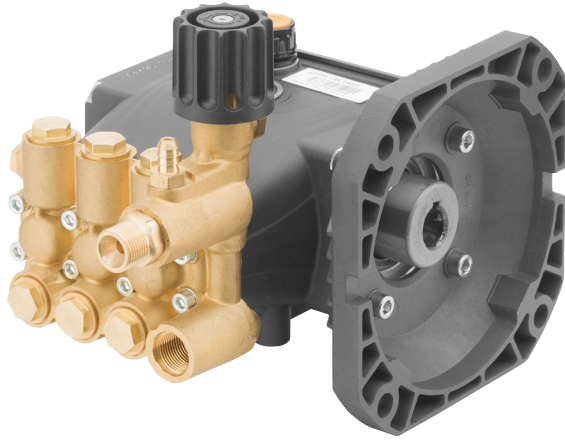
REPAIR KITS

MOD	DESCRIPTION	QTY	LIST PRICE
AR2869	Valves	6	\$59.29
AR2513	Pistons	3	\$147.77
AR2167	Water Seals	3	\$38.33
AR2591	Oil Seals	4	\$25.07
AR2799	O-Rings	28	\$25.55
AR2594	Unloader (without Knob)	21	\$73.12
AR2858	Unloader (with Knob)	22	\$118.61
AR42125	Chemical Injector	3	\$8.96



JRA

HOLLOW SHAFT PUMP



Residential

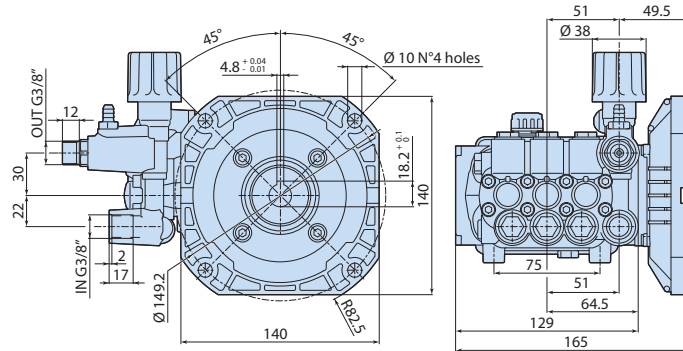
140° F - Max Water Temp
 3/8" F - Inlet Thread
 3/8" M - Discharge Thread
 5.43 oz - Oil Capacity



● brass head



○ aluminum connecting rods



E version + F8

MOD	MAX	MAX			BORE DIA	STROKE	CRANKSHAFT ID STAMP	LIST PRICE			
	l/min	gpm	bar	psi	ebhp	rpm	lbs	mm	mm		\$

JRA 1750rpm E version 5/8" with Nema 56-C Flange

JRA25G22E-F8 ● ○ 9.2 2.4 150 2200 3.7 1750 8.81 14 11.5 1 \$649.19

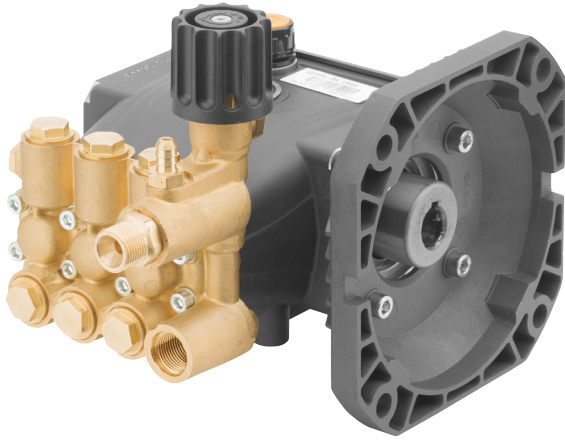
* - With Adjustable Unloader

SPECIAL PARTS / KITS

MOD	DESCRIPTION	LIST PRICE
AR64516	Oil (16 oz)	\$15.80

REPAIR KITS

MOD	DESCRIPTION	QTY	LIST PRICE
AR43478	Valves	6	\$16.62
AR43894	Pistons	3	\$206.71
AR43896	Water Seals	9	\$59.39
AR46148	Oil Seals	6	\$29.91
AR43482	O-Rings	20	\$12.34



Residential

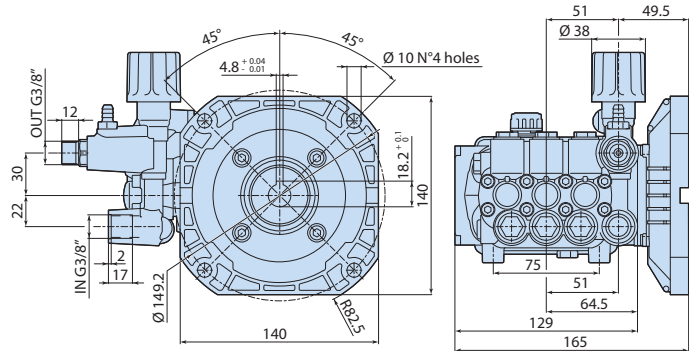
140° F - Max Water Temp
 3/8" F - Inlet Thread
 3/8" M - Discharge Thread
 5.43 oz - Oil Capacity



● brass head



○ aluminum connecting rods



E version + F8

MOD	MAX	MAX			BORE DIA	STROKE	CRANKSHAFT ID STAMP	LIST PRICE			
	l/min	gpm	bar	psi	ebhp	rpm	lbs	mm	mm		\$
JRV 3400 rpm E version 5/8" with Nema 56-C Flange											
JRV2G25E-F8 ● ○	7.6	2	172	2500	3.4	3400	8.81	12	7	3	\$649.19
JRV3G20E-F8 ● ○	11.4	3	140	2000	4.1	3400	8.81	12	10.7	2	\$649.19

SPECIAL PARTS / KITS

MOD	DESCRIPTION	LIST PRICE
AR64516	Oil (16 oz)	\$15.80

REPAIR KITS

MOD	DESCRIPTION	QTY	LIST PRICE
AR43478	Valves	6	\$16.62
AR43479	Pistons	3	\$160.53
AR43481	Water Seals	3	\$29.23
AR43557	Oil Seals	6	\$19.16
AR43482	O-Rings	20	\$12.34
AR43988	Unloader	22	\$54.98



JRV-F7

HOLLOW SHAFT PUMP



Residential

140° F - Max Water Temp
 3/8" F - Inlet Thread
 3/8" M - Discharge Thread
 5.43 oz - Oil Capacity



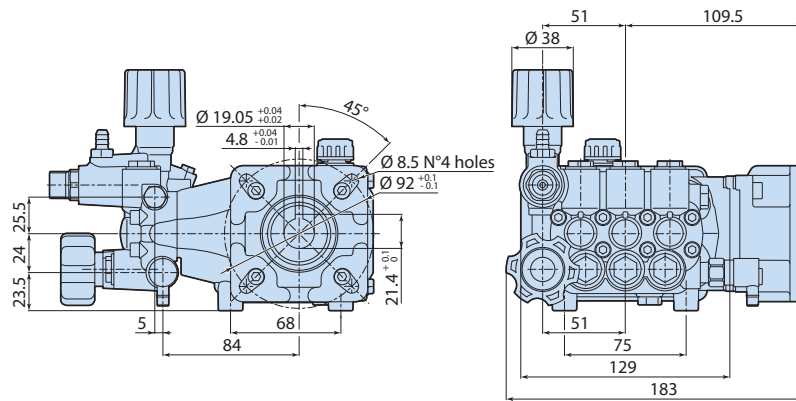
● brass head



○ aluminum connecting rods



● easy start valve



D version + F7

MOD	MAX		MAX		MAX		NET	BORE DIA	STROKE	CRANKSHAFT ID STAMP	LIST PRICE
	l/min	gpm	bar	psi	ebhp	rpm	lbs	mm	mm		\$
JRV 3400rpm D version 3/4" with Gas Engine Flange											
JRV25G30D-F7-EZ ● ○ ●	9.4	2.5	207	3000	5.0	3400	8.9	12	8.8	4	\$649.19
JRV3G30D-F7-EZ ● ○ ●	11.4	3	206	3000	6.2	3400	8.9	12	10.7	2	\$649.19
JRV3G30D-F7 ● ○	11.4	3	140	2000	4.1	3400	8.81	12	10.7	2	\$649.19

SPECIAL PARTS / KITS

MOD	DESCRIPTION	LIST PRICE
AR64516	Oil (16 oz)	\$15.80

REPAIR KITS

MOD	DESCRIPTION	QTY	LIST PRICE
AR43478	Valves	6	\$16.62
AR43479	Pistons	3	\$160.53
AR43481	Water Seals	3	\$29.23
AR43557	Oil Seals	6	\$19.16
AR43482	O-Rings	20	\$12.34
AR43988	Unloader	22	\$54.98



COMMERCIAL PUMPS

RC
RCA
RCV
RCVU
XT
XTA
XTV
XM
XMA
XMV

SXMV
RR
RRA
RRV
RK
RKA
RKV
RG
RGA
SRG

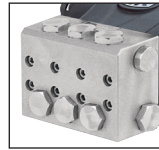
XW
XWA
XWT
XWF
XWL
XWLA
SXW
SXWA
RGX



Wide range of pump options. Gas Engine and Electric Motor Direct Drives. As well as solid shaft pumps for Direct or Pulley driving.

Applications include: hot & cold pressure washer, jetters, misting, cooling system, rinse down systems, car wash, etc.

*Pressures ranging from 1,500-5,000 psi.
Flow ranging from 2 gpm-13 gpm.*



Stainless-steel head version available on request.

Commercial

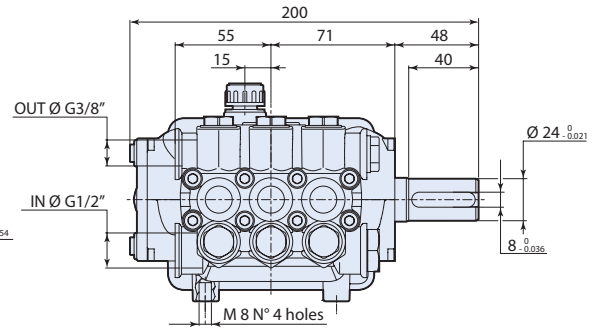
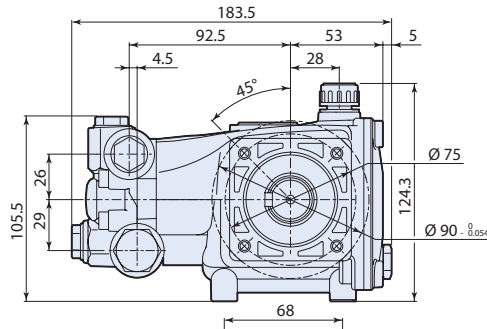
140° F - Max Water Temp
 1/2" F - Inlet Thread
 3/8" F - Discharge Thread
 9.81 oz - Oil Capacity



● brass head



○ aluminum connecting rods



N version

MOD	MAX	MAX				BORE DIA	STROKE	CRANKSHAFT ID STAMP	LIST PRICE			
	l/min	gpm	bar	psi	ebhp	rpm	lbs	mm	mm	\$		
RC 1450rpm N version 24mm with Solid Shaft												
RC12.17N	● ○	12	3.2	170	2500	5.5	1450	10	18	11.2	3	\$610.23
RC13.17N	● ○	13	3.4	170	2500	5.8	1450	10	18	12.2	2	\$610.23

SPECIAL PARTS / KITS

MOD	DESCRIPTION	LIST PRICE
AR2633	Rail Kit 1-3/4" (2 rails & 4 bolts)	\$35.18
AR2633H	Rail Kit 2-5/8" (2 rails & 4 bolts)	\$46.40
AR3201430	Tapped Valve Cap Brass (1/8" NPT Tap)	\$36.09
AR64516	Oil (16 oz)	\$15.80

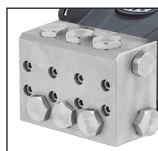
REPAIR KITS

MOD	DESCRIPTION	QTY	LIST PRICE
AR2186	Valves	6	\$62.00
AR42467	Pistons	3	\$60.27
AR42469	Water Seals	3	\$79.63
AR42468	Oil Seals	4	\$18.17
AR42470	O-Rings	15	\$20.34
AR2745	Support Ring	3	\$6.75



RCA

SOLID SHAFT PUMP



Stainless-steel head version available on request.

Commercial

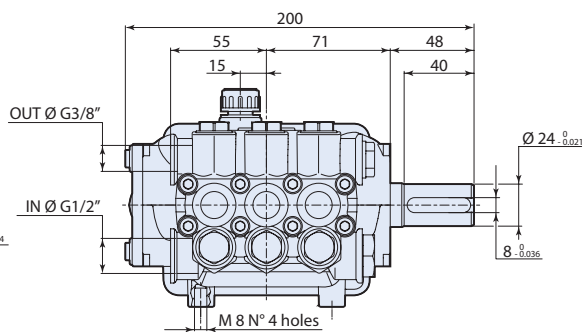
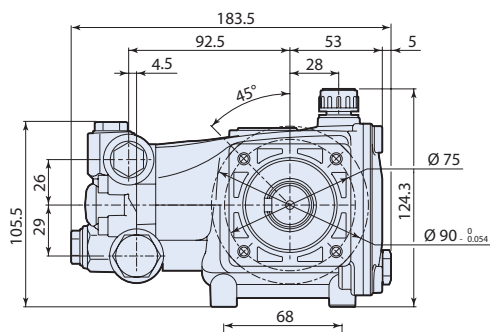
140° F - Max Water Temp
 1/2" F - Inlet Thread
 3/8" F - Discharge Thread
 9.81 oz - Oil Capacity



● brass head



○ aluminum connecting rods



N version

MOD	MAX	MAX		NET	BORE DIA	STROKE	CRANKSHAFT ID STAMP	LIST PRICE
	l/min	gpm	bar	psi	ebhp	rpm	lbs	mm
RCA 1750rpm N version 24mm Solid Shaft								
RCA25G25N ● ○	9.5	2.5	170	2500	4.3	1750	10	18
RCA3G25N ● ○	11.4	3	170	2500	5.1	1750	10	18
RCA35G25N ● ○	13.2	3.5	170	2500	6.0	1750	10	18

SPECIAL PARTS / KITS

MOD	DESCRIPTION	LIST PRICE
AR2633	Rail Kit 1-3/4" (2 rails & 4 bolts)	\$35.18
AR2633H	Rail Kit 2-5/8" (2 rails & 4 bolts)	\$46.40
AR3201430	Tapped Valve Cap Brass (1/8" NPT Tap)	\$36.09
AR64516	Oil (16 oz)	\$15.80

REPAIR KITS

MOD	DESCRIPTION	QTY	LIST PRICE
AR2186	Valves	6	\$62.00
AR42467	Pistons	3	\$60.27
AR42469	Water Seals	3	\$79.63
AR42468	Oil Seals	4	\$18.17
AR42470	O-Rings	15	\$20.34
AR2745	Support Ring	3	\$6.75

RCA-F8

HOLLOW SHAFT PUMP



Commercial

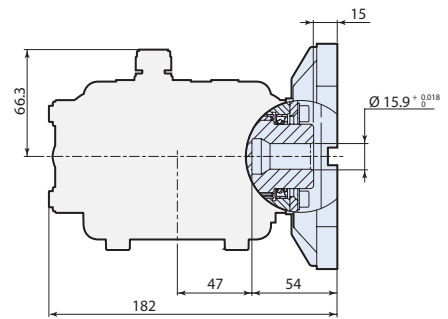
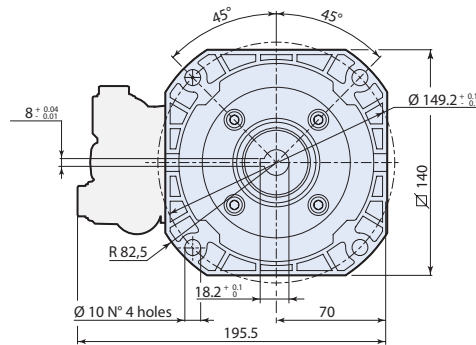
140° F - Max Water Temp
 1/2" F - Inlet Thread
 3/8" F - Discharge Thread
 9.81 oz - Oil Capacity



● brass head



○ aluminum connecting rods



E version + F8

MOD	MAX	MAX		NET	BORE DIA	STROKE	CRANKSHAFT ID STAMP	LIST PRICE				
	l/min	gpm	bar	psi	ebhp	rpm	lbs	mm				
RCA 1750rpm E version 5/8" with Nema 56-C Flange												
RCA2G22E-F8	● ○	8	2	150	2200	3.0	1750	11	18	5.6	9	\$649.19
RCA2G22E-F8SX	● ○	8	2	150	2200	3.0	1750	11	18	5.6	9	\$649.19
RCA3G25E-F8	● ○	11.4	3	170	2500	5.1	1750	11	18	8.2	6	\$649.19
RCA35G16E-F8	● ○	13.2	3.5	110	1600	3.8	1750	11	18	10	4	\$649.19

SX - 180° Rotated Shaft Configuration

SPECIAL PARTS / KITS

MOD	DESCRIPTION	LIST PRICE
AR3201430	Tapped Valve Cap Brass (1/8" NPT Tap)	\$36.09
AR64516	Oil (16 oz)	\$15.80

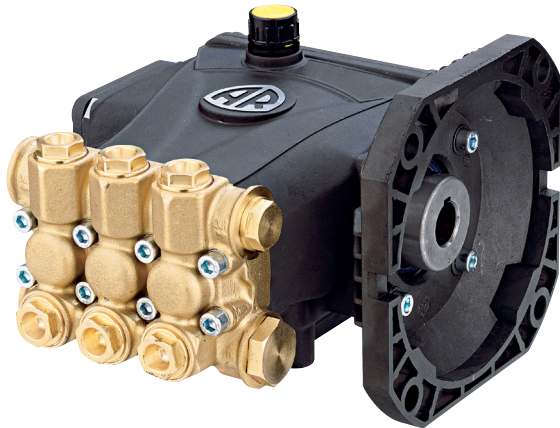
REPAIR KITS

MOD	DESCRIPTION	QTY	LIST PRICE
AR2186	Valves	6	\$62.00
AR42467	Pistons	3	\$60.27
AR42469	Water Seals	3	\$79.63
AR42474	Oil Seals	4	\$30.18
AR42470	O-Rings	15	\$20.34
AR2745	Support Ring	3	\$6.75



RCV-F8

HOLLOW SHAFT PUMP



Commercial

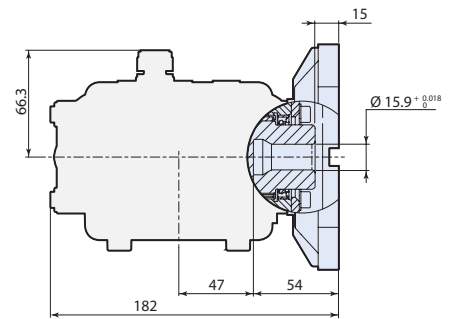
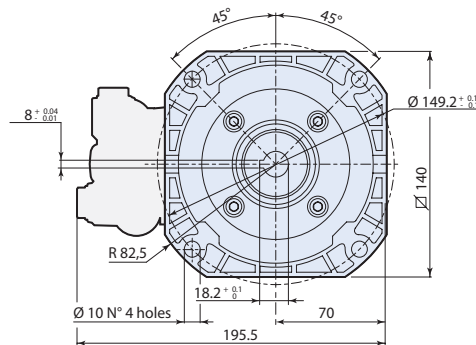
140° F - Max Water Temp
 1/2" F - Inlet Thread
 3/8" F - Discharge Thread
 9.81 oz - Oil Capacity



● brass head



○ aluminum connecting rods



E version + F8

MOD	MAX	MAX		NET	BORE DIA	STROKE	CRANKSHAFT ID STAMP	LIST PRICE			
	l/min	gpm	bar	psi	ebhp	rpm	lbs	mm	mm		\$
RCV 3400rpm E version 5/8" with Nema 56-C Flange											
RCV2G25E-F8 ● ○	8	2	170	2500	3.4	3400	11	15	4.4	11	\$649.19
RCV3G25E-F8 ● ○	11.4	3	170	2500	5.1	3400	11	15	6.5	8	\$649.19

SPECIAL PARTS / KITS

MOD	DESCRIPTION	LIST PRICE
AR3201430	Tapped Valve Cap Brass (1/8" NPT Tap)	\$36.09
AR64516	Oil (16 oz)	\$15.80

REPAIR KITS

MOD	DESCRIPTION	QTY	LIST PRICE
AR2186	Valves	6	\$62.00
AR42475	Pistons	3	\$119.30
AR42476	Water Seals	3	\$51.10
AR42474	Oil Seals	4	\$30.18
AR42470	O-Rings	15	\$20.34
AR2191	Support Ring	3	\$7.21

RCV-F8

HOLLOW SHAFT PUMP



Commercial

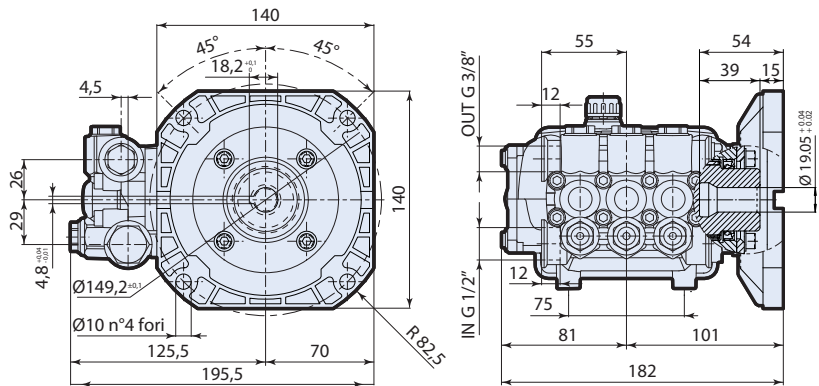
140° F - Max Water Temp
 1/2" F - Inlet Thread
 3/8" F - Discharge Thread
 9.81 oz - Oil Capacity



● brass head



○ aluminum connecting rods



D version + F8

MOD	MAX	MAX		NET	BORE DIA	STROKE	CRANKSHAFT ID STAMP	LIST PRICE			
	l/min	gpm	bar	psi	ebhp	rpm	lbs	mm	mm		\$
RCV 3400rpm D version 3/4" with Nema 56-C Flange											
RCV25G27D-F8 ● ○	9.5	2.5	1086	2700	5.6	3400	11	15	5.6	9	\$649.19
RCV3G27D-F8 ● ○	11.4	3	1086	2700	5.6	3400	11	15	6.5	8	\$649.19

SPECIAL PARTS / KITS

MOD	DESCRIPTION	LIST PRICE
AR64516	Oil (16 oz)	\$15.80

REPAIR KITS

MOD	DESCRIPTION	QTY	LIST PRICE
AR2186	Valves	6	\$62.00
AR42475	Pistons	3	\$119.30
AR42476	Water Seals	3	\$51.10
AR42474	Oil Seals	4	\$30.18
AR42470	O-Rings	15	\$20.34
AR2191	Support Ring	3	\$7.21
AR43434	Hot Water Seal Kit	3	\$536.20



RCV-F7

HOLLOW SHAFT PUMP



Commercial

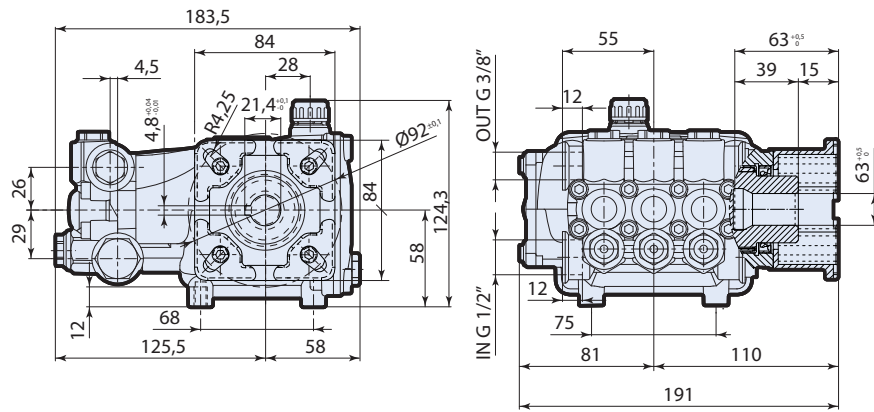
140° F - Max Water Temp
 1/2" F - Inlet Thread
 3/8" F - Discharge Thread
 9.81 oz - Oil Capacity



● brass head



○ aluminum connecting rods



D version + F7

MOD	MAX	MAX		NET	BORE DIA	STROKE	CRANKSHAFT ID STAMP	LIST PRICE			
	l/min	gpm	bar	psi	ebhp	rpm	lbs	mm	mm		\$

RCV 3400rpm D version 3/4" with Gas Engine Flange

RCV2G22D-F7	● ○	8	2	150	2200	3.0	3400	11	15	4.4	11	\$649.19
RCV25G27D-F7-SX	● ○	9.5	2.5	186	2700	4.6	3400	11	15	5.6	9	\$649.19
RCV25G27D-F7	● ○	9.5	2.5	186	2700	4.6	3400	11	15	5.6	9	\$649.19
RCV3G27D-F7	● ○	11.4	3	186	2700	5.6	3400	11	15	6.5	8	\$649.19
RCV35G25D-F7	● ○	13.2	3.5	170	2500	6.0	3400	11	15	7.4	7	\$649.19

SX - 180° Rotated Shaft Configuration

SPECIAL PARTS / KITS

MOD	DESCRIPTION	LIST PRICE
AR64516	Oil (16 oz)	\$15.80

REPAIR KITS

MOD	DESCRIPTION	QTY	LIST PRICE
AR2186	Valves	6	\$62.00
AR42475	Pistons	3	\$119.30
AR42476	Water Seals	3	\$51.10
AR42474	Oil Seals	4	\$30.18
AR42470	O-Rings	15	\$20.34
AR2191	Support Ring	3	\$7.21
AR43434	Hot Water Seal Kit	3	\$536.20

RCVU-F7

HOLLOW SHAFT PUMP



Commercial

140° F - Max Water Temp
 1/2" F - Inlet Thread
 3/8" F - Discharge Thread
 9.81 oz - Oil Capacity



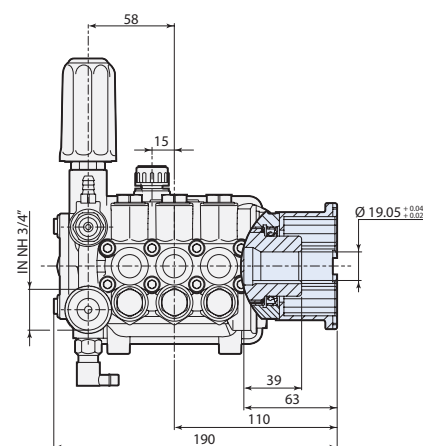
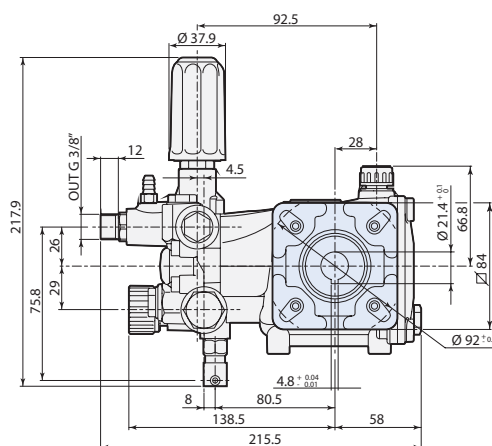
● brass head



○ aluminum connecting rods



● easy start valve



D version + F7

MOD	MAX	MAX		NET	BORE DIA	STROKE	CRANKSHAFT ID STAMP	LIST PRICE
	l/min	gpm	bar	psi	ebhp	rpm	lbs	mm
RCVU 3400rpm D version 3/4" with Gas Engine Flange								
RCVU25G27D-F7-EZ ● ○ ●	11.4	2.5	186	2700	5.6	3400	11	15 6.5 8 \$753.06
RCVU3G27D-F7-EZ ● ○ ●	11.4	3	186	2700	5.6	3400	11	15 5.6 9 \$753.06
RCVU35G25D-F7-EZ ● ○ ●	11.4	3.5	186	2500	5.6	3400	11	15 7.4 7 \$753.06

SPECIAL PARTS / KITS

MOD	DESCRIPTION	LIST PRICE
AR64516	Oil (16 oz)	\$15.80

REPAIR KITS

MOD	DESCRIPTION	QTY	LIST PRICE
AR2186	Valves	6	\$62.00
AR42475	Pistons	3	\$119.30
AR42476	Water Seals	3	\$51.10
AR42474	Oil Seals	4	\$30.18
AR42470	O-Rings	15	\$20.34
AR2191	Support Ring	3	\$7.21
AR43434	Hot Water Seal Kit	3	\$536.20
AR42712	Unloader Kit	22	\$83.62



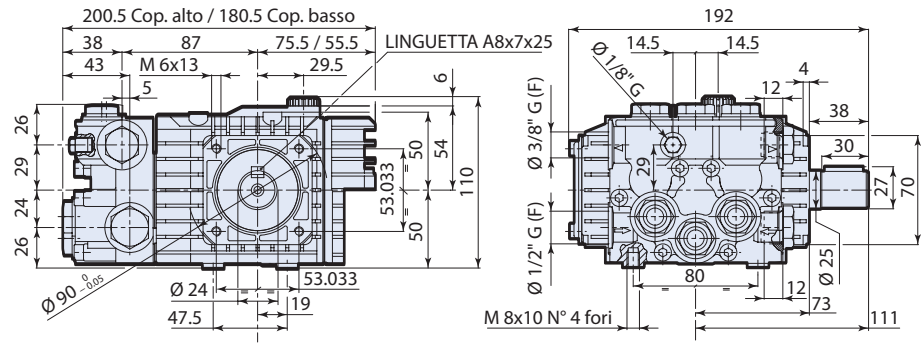
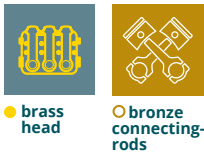
XT

SOLID SHAFT PUMP



Commercial

140° F - Max Water Temp
 1/2" F - Inlet Thread
 3/8" F - Discharge Thread
 10 oz - Oil Capacity



N version

MOD	MAX	MAX			NET	BORE DIA	STROKE	CRANKSHAFT ID STAMP	LIST PRICE		
	l/min	gpm	bar	psi	ebhp	rpm	lbs	mm	mm	\$	
XT 1450rpm N version 24mm Solid Shaft											
XT814N ● ○	8	2.11	140	2000	3.0	1450	11	15	11	6	\$720.01

SPECIAL PARTS / KITS

MOD	DESCRIPTION	LIST PRICE
AR1836	Rail Kit 3/8" (2 rails & 4 bolts)	\$26.67
AR1836H	Rail Kit 1-1/2" (2 rails & 4 bolts)	\$35.18
AR2029	Viton Water Seals Ø 15	\$341.56
AR2815	Kit for up to 180° F Ø 15 High Temp	\$507.10
AR1260162T	Valve Cap 1/4" Threaded	\$14.16
AR64516	Oil (16 oz)	\$15.80

REPAIR KITS

MOD	DESCRIPTION	QTY	LIST PRICE
AR1864	Valves	6	\$59.29
AR2628	Pistons Ø 15	3	\$147.83
AR2520	Water Seals Ø 15	3	\$104.81
AR1872	Oil Seals	6	\$48.95



Commercial

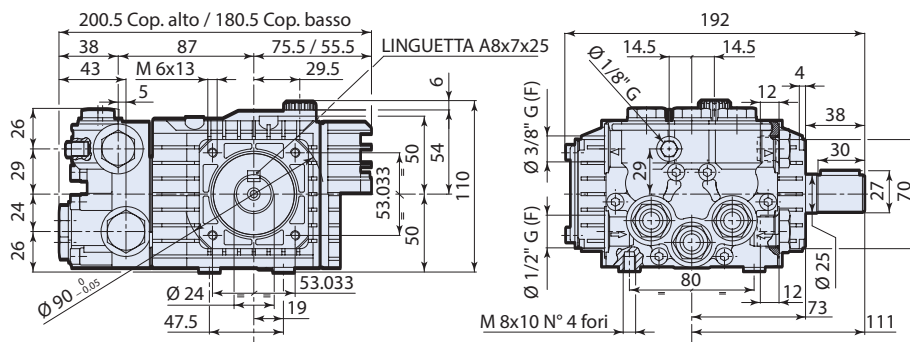
140° F - Max Water Temp
 1/2" F - Inlet Thread
 3/8" F - Discharge Thread
 10 oz - Oil Capacity



● brass head



○ aluminum connecting rods



N version

MOD	MAX	MAX		NET	BORE DIA	STROKE	CRANKSHAFT ID STAMP	LIST PRICE			
	l/min	gpm	bar	psi	ebhp	rpm	lbs	mm	mm		\$
XTA 1750rpm N version 24mm Solid Shaft											
XTA2G20N ● ○	8	2.11	140	2000	3.0	1750	11	15	9.6	5	\$743.62
XTA3G22N ● ○	11.4	3	150	2200	4.5	1750	11	18	9.6	5	\$790.83

SPECIAL PARTS / KITS

MOD	DESCRIPTION	LIST PRICE
AR1836	Rail Kit 3/8" (2 rails & 4 bolts)	\$26.67
AR1836H	Rail Kit 1-1/2" (2 rails & 4 bolts)	\$35.18
AR2029	Viton Water Seals Ø 15	\$341.56
AR2030	Viton Water Seals Ø 18	\$358.04
AR2815	Kit for up to 180° F Ø 15 High Temp	\$507.10
AR2816	Kit for up to 180° F Ø 18 High Temp	\$519.75
AR1260162T	Valve Cap 1/4" Threaded	\$14.16
AR64516	Oil (16 oz)	\$15.80

REPAIR KITS

MOD	DESCRIPTION	QTY	LIST PRICE
AR1864	Valves	6	\$59.29
AR2628	Pistons Ø 15	3	\$147.83
AR2629	Pistons Ø 18	3	\$206.30
AR2520	Water Seals Ø 15	3	\$104.81
AR1874	Water Seals Ø 18	3	\$108.41
AR1872	Oil Seals	6	\$48.95



XTA-F8

HOLLOW SHAFT PUMP



Commercial

140° F - Max Water Temp
 1/2" F - Inlet Thread
 3/8" F - Discharge Thread
 8 oz - Oil Capacity PSI ≤ 1600 PSI
 10 oz - Oil Capacity PSI ≥ 1600 PSI



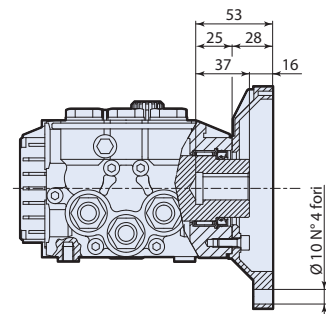
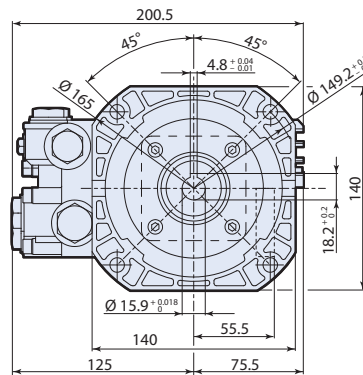
● brass head



○ bronze connecting rods



○ aluminum connecting rods



E version + F8

MOD	MAX	MAX			BORE DIA	STROKE	CRANKSHAFT ID STAMP	LIST PRICE				
	l/min	gpm	bar	psi	ebhp	rpm	lbs	mm	mm		\$	
XTA 1750rpm E version 5/8" with Nema 56-C Flange												
XTA0.5G10EBA-F8	● ○	1.9	0.5	69	1000	0.4	1750	8.5	15	2.2	Z	\$767.23
XTA1G15E-F8	● ○	3.8	1	103	1500	1.0	1750	10	15	4.8	D	\$767.23
XTA2G15EBA-F8	● ○	8	2.11	124	1800	2.6	1750	10	15	9.6	5	\$767.23
XTA2G22E-F8	● ○	8	2.11	152	2200	3.2	1750	11	15	9.6	5	\$814.44
XTA3G16EBA-F8	● ○	11.4	3	110	1600	3.3	1750	10	18	9.6	5	\$790.83
XTA3G22E-F8	● ○	11.4	3	150	2200	4.5	1750	11	18	9.6	5	\$838.04

SPECIAL PARTS / KITS

MOD	DESCRIPTION	LIST PRICE
AR2029	Viton Water Seals Ø 15	\$341.56
AR2030	Viton Water Seals Ø 18	\$358.04
AR2815	Kit for up to 180° F Ø 15 High Temp	\$507.10
AR2816	Kit for up to 180° F Ø 18 High Temp	\$519.75
AR1260162T	Valve Cap 1/4" Threaded	\$14.16
AR64516	Oil (16 oz)	\$15.80

REPAIR KITS

MOD	DESCRIPTION	QTY	LIST PRICE
AR1864	Valves	6	\$59.29
AR2628	Pistons Ø 15	3	\$147.83
AR2629	Pistons Ø 18	3	\$206.30
AR2520	Water Seals Ø 15	3	\$104.81
AR1874	Water Seals Ø 18	3	\$108.41
AR1860	Oil Seals	6	\$56.36

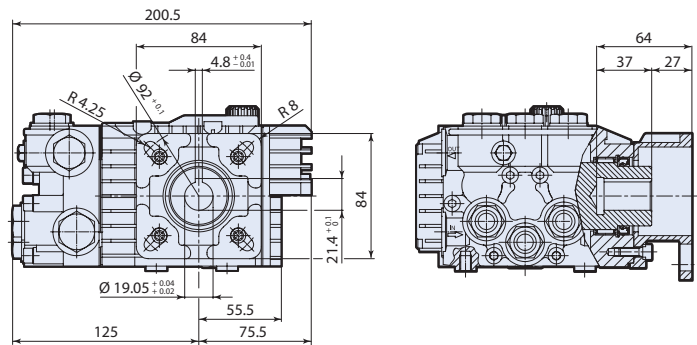
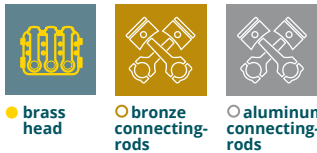
XTV-F7

HOLLOW SHAFT PUMP



Commercial

- 140° F - Max Water Temp
- 1/2" F - Inlet Thread
- 3/8" F - Discharge Thread
- 8 oz - Oil Capacity PSI ≤ 1600 PSI
- 10 oz - Oil Capacity PSI ≥ 1600 PSI



D version + F7

MOD	MAX	MAX		NET	BORE DIA	STROKE	CRANKSHAFT ID STAMP	LIST PRICE				
	l/min	gpm	bar	psi	ebhp	rpm	lbs	mm	mm		\$	
XTV 3400rpm D version 3/4" with Gas Engine Flange												
XTV2G15DBA-F7	● ○	8	2.11	103	1500	2.2	3400	10	15	4.8	D	\$767.23
XTV3G22D-F7	● ○	11.4	3	150	2200	4.5	3400	11	15	7.2	C	\$814.44

SPECIAL PARTS / KITS

MOD	DESCRIPTION	LIST PRICE
AR2029	Viton Water Seals ø 15	\$341.56
AR2815	Kit for up to 180° F ø 15 High Temp	\$507.10
AR1260162T	Valve Cap 1/4" Threaded	\$14.16
AR64516	Oil (16 oz)	\$15.80

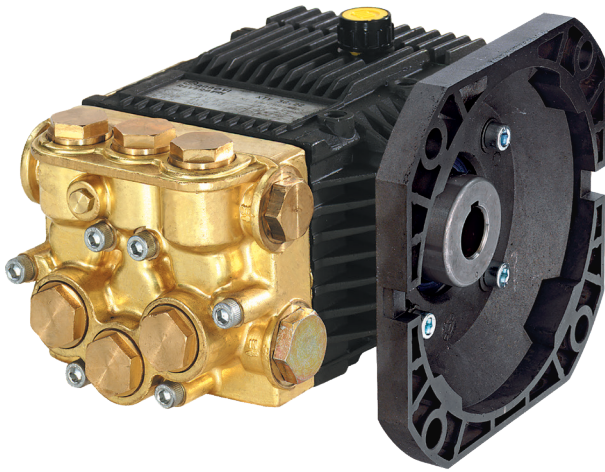
REPAIR KITS

MOD	DESCRIPTION	QTY	LIST PRICE
AR1864	Valves	6	\$59.29
AR2628	Pistons ø 15	3	\$147.83
AR2520	Water Seals ø 15	3	\$104.81
AR1860	Oil Seals	6	\$56.36



XTV-F8

HOLLOW SHAFT PUMP



Commercial

- 140° F - Max Water Temp
- 1/2" F - Inlet Thread
- 3/8" F - Discharge Thread
- 8 oz - Oil Capacity PSI ≤ 1600 PSI
- 10 oz - Oil Capacity PSI ≥ 1600 PSI



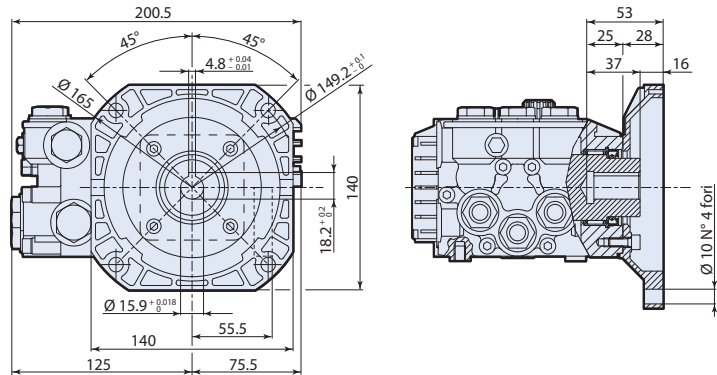
● brass head



○ bronze connecting rods



○ aluminum connecting rods



E version + F8

MOD	MAX	MAX		NET	BORE DIA	STROKE	CRANKSHAFT ID STAMP	LIST PRICE				
	l/min	gpm	bar	psi	ebhp	rpm	lbs	mm	mm		\$	
XTV 3400rpm E version 5/8" with Nema 56-C Flange												
XTV0.5G10E-F8	● ○	1.9	0.5	69	1000	0.4	3400	8.5	15	1.5	Z	\$767.23
XTV2G15EBA-F8	● ○	8	2.11	103	1500	2.2	3400	10	15	4.8	D	\$767.23
XTV3G16E-F8	● ○	11.4	3	110	1600	3.3	3400	10	15	7.2	C	\$767.23
XTV3G22E-F8	● ○	11.4	3	150	2200	4.5	3400	11	15	7.2	C	\$814.44

SPECIAL PARTS / KITS

MOD	DESCRIPTION	LIST PRICE
AR2029	Viton Water Seals $\varnothing 15$	\$341.56
AR2815	Kit for up to 180° F $\varnothing 15$ High Temp	\$507.10
AR1260162T	Valve Cap 1/4" Threaded	\$14.16
AR64516	Oil (16 oz)	\$15.80

REPAIR KITS

MOD	DESCRIPTION	QTY	LIST PRICE
AR1864	Valves	6	\$59.29
AR2628	Pistons $\varnothing 15$	3	\$147.83
AR2520	Water Seals $\varnothing 15$	3	\$104.81
AR1860	Oil Seals	6	\$56.36



Commercial

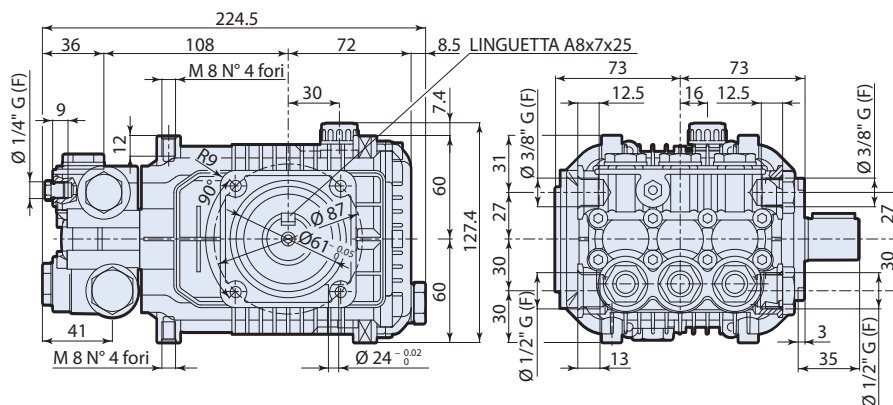
140° F - Max Water Temp
 1/2" F - Inlet Thread
 3/8" F - Discharge Thread
 14.5 oz - Oil Capacity



● brass head



○ aluminum connecting rods



N version

MOD	MAX	MAX		NET	BORE DIA	STROKE	CRANKSHAFT ID STAMP	LIST PRICE				
	l/min	gpm	bar	psi	ebhp	rpm	lbs	mm	mm		\$	
XM 1450 rpm N version 24mm Solid Shaft												
XM1117N	● ○	11	2.9	206	3000	6.0	3400	14	15	15.4	1	\$684.60
XM1515N	● ○	15	4.0	206	3000	8.2	3400	14	18	14.2	2	\$708.21

SPECIAL PARTS / KITS

MOD	DESCRIPTION	LIST PRICE
AR2729	Rail Kit 5/8" (2 rails & 4 bolts)	\$32.02
AR2633	Rail Kit 1-3/4" (2 rails & 4 bolts)	\$35.18
AR2633H	Rail Kit 2-5/8" (2 rails & 4 bolts)	\$46.40
AR2776	Viton Water Seals Ø 15	\$360.60
AR2777	Viton Water Seals Ø 18	\$360.60
AR2817	Kit for up to 180° F Ø 15 High Temp	\$411.87
AR2818	Kit for up to 180° F Ø 18 High Temp	\$414.42
AR42212	Kit for up to 180° F Ø 15 High Temp (Teflon)	\$636.50
AR64516	Oil (16 oz)	\$15.80

REPAIR KITS

MOD	DESCRIPTION	QTY	LIST PRICE
AR1864	Valves	6	\$59.29
AR2544	Pistons Ø 15	3	\$179.97
AR2545	Pistons Ø 18	3	\$200.69
AR2741	Water Seals Ø 15	3	\$108.65
AR2747	Water Seals Ø 18	3	\$119.51
AR2786	Oil Seals	6	\$48.32
AR2740	Support Ring Ø 15	3	\$13.54
AR2745	Support Ring Ø 18	3	\$6.75



XMA

SOLID SHAFT PUMP



Commercial

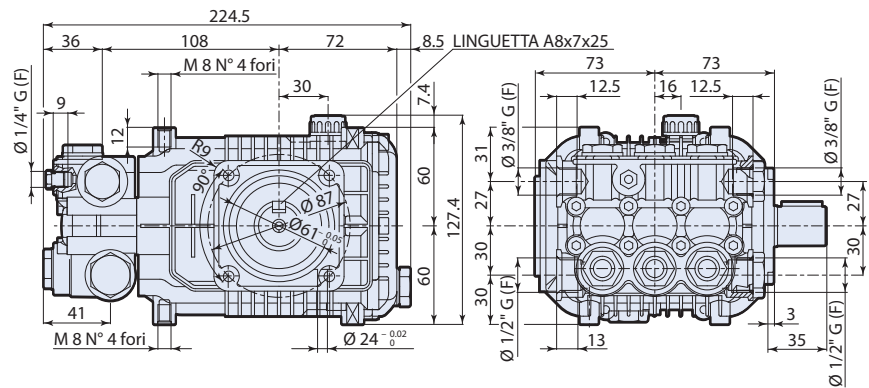
140° F - Max Water Temp
 1/2" F - Inlet Thread
 3/8" F - Discharge Thread
 14.5 oz - Oil Capacity



brass head



aluminum connecting rods



N version

MOD	MAX	MAX			BORE DIA	STROKE	CRANKSHAFT ID STAMP	LIST PRICE
	l/min	gpm	bar	psi	mm	mm		\$
XMA 1750rpm N version 24mm Solid Shaft								
XMA3G25N	11.4	3	170	2500	14	15	3	\$684.60
XMA35G25N	13.2	3.5	170	2500	14	15	1	\$684.60
XMA4G20N	15.1	4	140	2000	14	18	3	\$708.21

SPECIAL PARTS / KITS

MOD	DESCRIPTION	LIST PRICE
AR2729	Rail Kit 5/8" (2 rails & 4 bolts)	\$32.02
AR2633	Rail Kit 1-3/4" (2 rails & 4 bolts)	\$35.18
AR2633H	Rail Kit 2-5/8" (2 rails & 4 bolts)	\$46.40
AR2776	Viton Water Seals ø 15	\$360.60
AR2777	Viton Water Seals ø 18	\$360.60
AR2817	Kit for up to 180° F ø 15 High Temp	\$411.87
AR2818	Kit for up to 180° F ø 18 High Temp	\$414.42
AR42212	Kit for up to 180° F ø 15 High Temp Teflon	\$636.50
AR64516	Oil (16 oz)	\$15.80

REPAIR KITS

MOD	DESCRIPTION	QTY	LIST PRICE
AR1864	Valves	6	\$59.29
AR2544	Pistons ø 15	3	\$179.97
AR2545	Pistons ø 18	3	\$200.69
AR2741	Water Seals ø 15	3	\$108.65
AR2747	Water Seals ø 18	3	\$119.51
AR2786	Oil Seals	6	\$48.32
AR2740	Support Ring ø 15	3	\$13.54
AR2745	Support Ring ø 18	3	\$6.75



Commercial

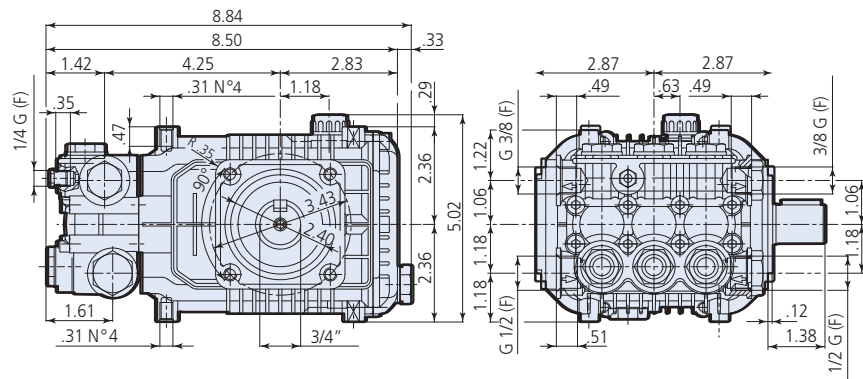
140° F - Max Water Temp
 1/2" F - Inlet Thread
 3/8" F - Discharge Thread
 14.5 oz - Oil Capacity



● brass head



○ aluminum connecting rods



N version

MOD	MAX	MAX		NET	BORE DIA	STROKE	CRANKSHAFT ID STAMP	LIST PRICE		
	l/min	gpm	bar	psi	ebhp	rpm	lbs	mm	mm	\$

XMA 1750rpm N version 3/4" Solid Shaft

XMA35G22N ● ○	13.2	3.5	170	2500	6.0	1750	14	15	15.4	1	\$708.21
---------------	------	-----	-----	------	-----	------	----	----	------	---	----------

SPECIAL PARTS / KITS

MOD	DESCRIPTION	LIST PRICE
AR2729	Rail Kit 5/8" (2 rails & 4 bolts)	\$32.02
AR2633	Rail Kit 1-3/4" (2 rails & 4 bolts)	\$35.18
AR2633H	Rail Kit 2-5/8" (2 rails & 4 bolts)	\$46.40
AR2776	Viton Water Seals ø 15	\$360.60
AR2777	Viton Water Seals ø 18	\$360.60
AR2817	Kit for up to 180° F ø 15 High Temp	\$411.87
AR2818	Kit for up to 180° F ø 18 High Temp	\$414.42
AR42212	Kit for up to 180° F ø 15 High Temp Teflon	\$636.50
AR64516	Oil (16 oz)	\$15.80

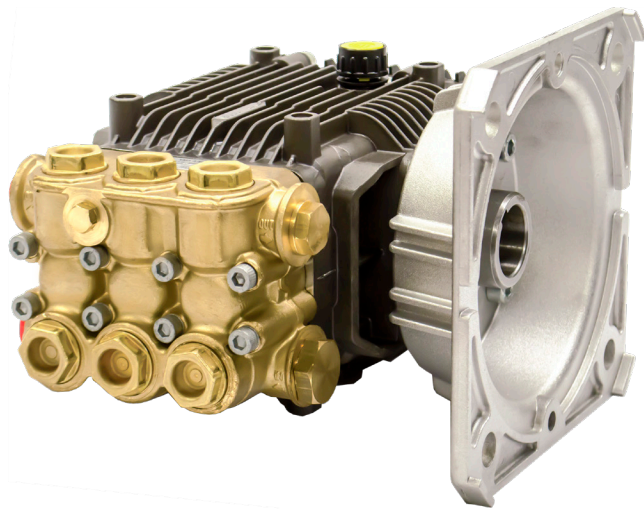
REPAIR KITS

MOD	DESCRIPTION	QTY	LIST PRICE
AR1864	Valves	6	\$59.29
AR2544	Pistons ø 15	3	\$179.97
AR2545	Pistons ø 18	3	\$200.69
AR2741	Water Seals ø 15	3	\$108.65
AR2747	Water Seals ø 18	3	\$119.51
AR2786	Oil Seals	6	\$48.32
AR2740	Support Ring ø 15	3	\$13.54
AR2745	Support Ring ø 18	3	\$6.75



XMA-F17

HOLLOW SHAFT PUMP



Commercial

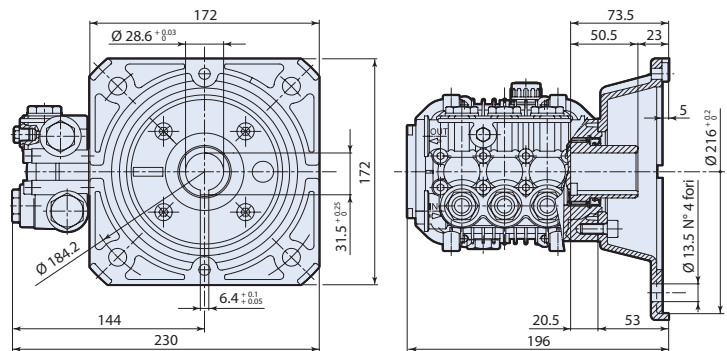
140° F - Max Water Temp
 1/2" F - Inlet Thread
 3/8" F - Discharge Thread
 14.5 oz - Oil Capacity



● brass head



○ aluminum connecting rods



E version + F17

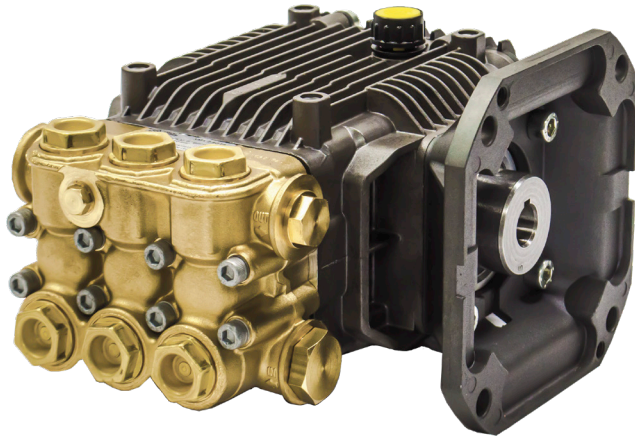
MOD	MAX	MAX		NET	BORE DIA	STROKE	CRANKSHAFT ID STAMP	LIST PRICE				
	l/min	gpm	bar	psi	ebhp	rpm	lbs	mm	mm		\$	
XMA 1750 rpm E version 1-1/8" with Nema 182-184 Flange												
XMA3G30E-F17	● ○	11.4	3	206	3000	6.2	1750	15	15	13.2	3	\$779.03
XMA35G25E-F17	● ○	13.2	3.5	170	2500	6.0	1750	15	15	15.4	1	\$779.03

SPECIAL PARTS / KITS

MOD	DESCRIPTION	LIST PRICE
AR2776	Viton Water Seals $\varnothing 15$	\$360.60
AR2817	Kit for up to 180° F $\varnothing 15$ High Temp	\$411.87
AR64516	Oil (16 oz)	\$15.80

REPAIR KITS

MOD	DESCRIPTION	QTY	LIST PRICE
AR1864	Valves	6	\$59.29
AR2544	Pistons $\varnothing 15$	3	\$179.97
AR2741	Water Seals $\varnothing 15$	3	\$108.65
AR2787	Oil Seals	6	\$59.70
AR2740	Support Ring $\varnothing 15$	3	\$13.54



Commercial

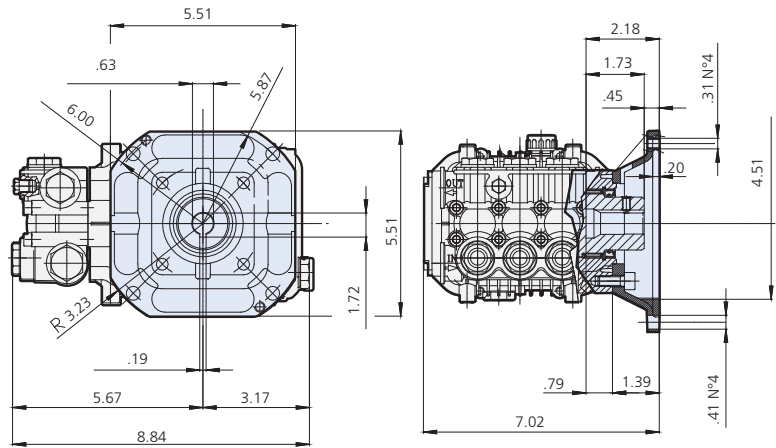
140° F - Max Water Temp
 1/2" F - Inlet Thread
 3/8" F - Discharge Thread
 14.5 oz - Oil Capacity



● brass head



○ aluminum connecting rods



E version + F33

MOD	MAX	MAX			BORE DIA	STROKE	CRANKSHAFT ID STAMP	LIST PRICE			
	l/min	gpm	bar	psi	mm	mm		\$			
XMA 1750rpm E version 5/8" with Nema 56-C Flange											
XMA2G22E-F33	8	2.11	150	2200	3.0	1750	15	15	9.4	7	\$731.82
XMA25G18E-F33	9.5	2.5	120	1800	3.0	1750	15	15	10.6	5	\$731.82
XMA3G18E-F33	11.4	3	120	1800	4.0	1750	15	15	13.2	3	\$731.82
XMA4G20E-F33	15.1	4	138	2000	4.0	1750	15	15	13.2	3	\$755.43

SPECIAL PARTS / KITS

MOD	DESCRIPTION	LIST PRICE
AR2776	Viton Water Seals ø 15	\$350.10
AR2817	Kit for up to 180° F ø 15 High Temp	\$399.87
AR64516	Oil (16 oz)	\$15.34

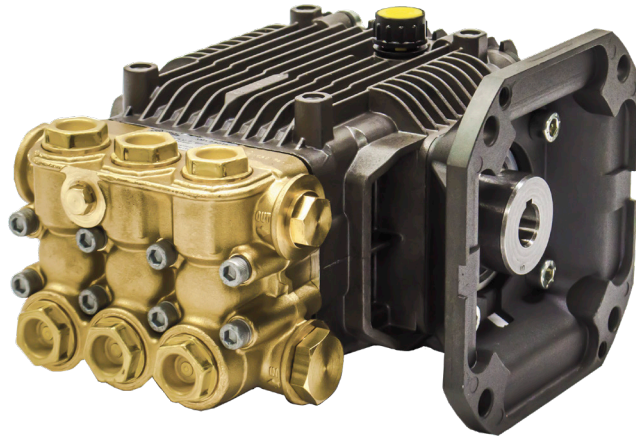
REPAIR KITS

MOD	DESCRIPTION	QTY	LIST PRICE
AR1864	Valves	6	\$59.29
AR2544	Pistons ø 15	3	\$179.97
AR2741	Water Seals ø 15	3	\$108.65
AR2787	Oil Seals	6	\$59.70
AR2740	Support Ring ø 15	3	\$13.54



XMV

HOLLOW SHAFT PUMP



Commercial

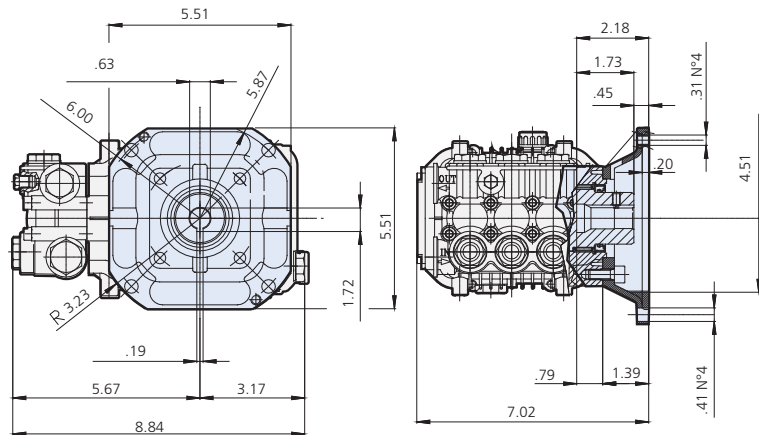
140° F - Max Water Temp
 1/2" F - Inlet Thread
 3/8" F - Discharge Thread
 14.5 oz - Oil Capacity



● brass head



○ aluminum connecting rods



E version + F33

MOD	MAX	MAX		NET	BORE DIA	STROKE	CRANKSHAFT ID STAMP	LIST PRICE			
	l/min	gpm	bar	psi	ebhp	rpm	lbs	mm	mm		\$
XMV 3400rpm E version 5/8" with Nema 56-C Flange											
XMV3G25E-F33 ● ○	11.4	3	172	2500	5.1	3400	15	15	6.5	11	\$731.82

SPECIAL PARTS / KITS

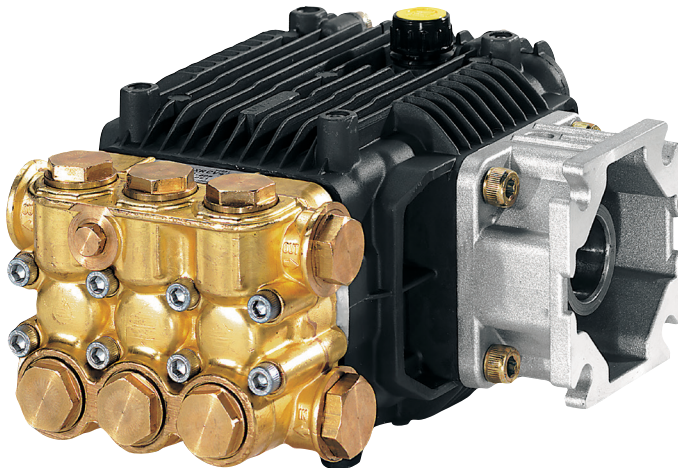
MOD	DESCRIPTION	LIST PRICE
AR2776	Viton Water Seals ø 15	\$360.60
AR2817	Kit for up to 180° F ø 15 High Temp	\$411.87
AR64516	Oil (16 oz)	\$15.80

REPAIR KITS

MOD	DESCRIPTION	QTY	LIST PRICE
AR1864	Valves	6	\$59.29
AR2544	Pistons ø 15	3	\$179.97
AR2741	Water Seals ø 15	3	\$108.65
AR2787	Oil Seals	6	\$59.70
AR2740	Support Ring ø 15	3	\$13.54

XMV-F25

HOLLOW SHAFT PUMP



Commercial

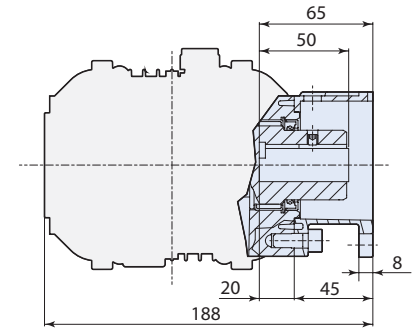
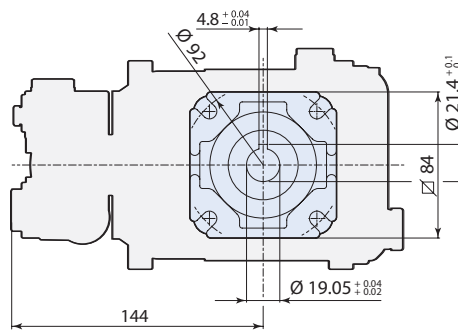
140° F - Max Water Temp
 1/2" F - Inlet Thread
 3/8" F - Discharge Thread
 14.5 oz - Oil Capacity



● brass head



○ aluminum connecting rods



D version + F25

MOD	MAX	MAX		NET	BORE DIA	STROKE	CRANKSHAFT ID STAMP	LIST PRICE			
	l/min	gpm	bar	psi	ebhp	rpm	lbs	mm	mm		\$

XMV 3400rpm D version 3/4" with Gas Engine Flange

XMV25G26D-F25 ● ○	9.5	2.5	179	2600	4.7	3400	15	15	6.2	10	\$720.01
XMV3G27D-F25 ● ○	11.4	3	186	2700	5.6	3400	15	15	7.6	9	\$720.01
XMV35G25D-F25 ● ○	13.2	3.5	170	2500	6.0	3400	15	15	8.2	8	\$720.01

SPECIAL PARTS / KITS

MOD	DESCRIPTION	LIST PRICE
AR2776	Viton Water Seals ø 15	\$360.60
AR2817	Kit for up to 180° F ø 15 High Temp	\$411.87
AR64516	Oil (16 oz)	\$15.80

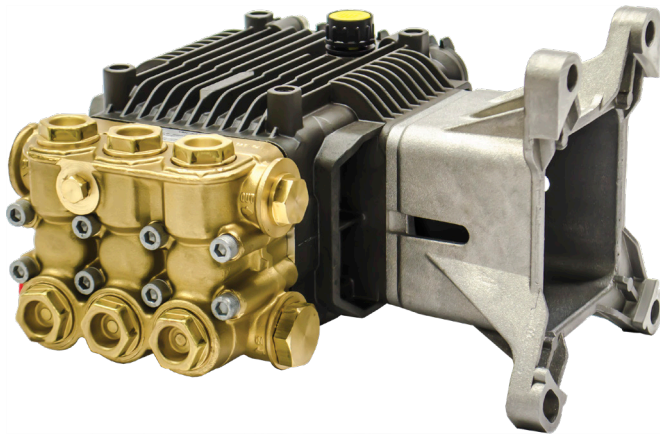
REPAIR KITS

MOD	DESCRIPTION	QTY	LIST PRICE
AR1864	Valves	6	\$59.29
AR2544	Pistons ø 15	3	\$179.97
AR2741	Water Seals ø 15	3	\$108.65
AR2787	Oil Seals	6	\$59.70
AR2740	Support Ring ø 15	3	\$13.54



XMV-F24

HOLLOW SHAFT PUMP



Commercial

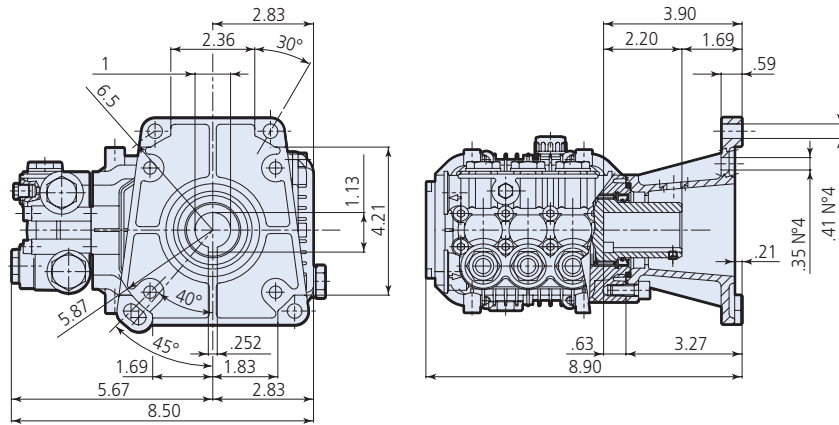
140° F - Max Water Temp
 1/2" F - Inlet Thread
 3/8" F - Discharge Thread
 14.5 oz - Oil Capacity



● brass head



○ aluminum connecting rods



D version + F24

MOD	MAX	MAX			BORE DIA	STROKE	CRANKSHAFT ID STAMP	LIST PRICE
	l/min	gpm	bar	psi	ebhp	rpm	lbs	mm
XMV 3400 rpm D version 1" with Nema Gas Engine Flange								
XMV3G30D-F24 ● ○	11.4	3	206	3000	6.2	3400	16	15
								7.6
								9
								\$755.43

SPECIAL PARTS / KITS

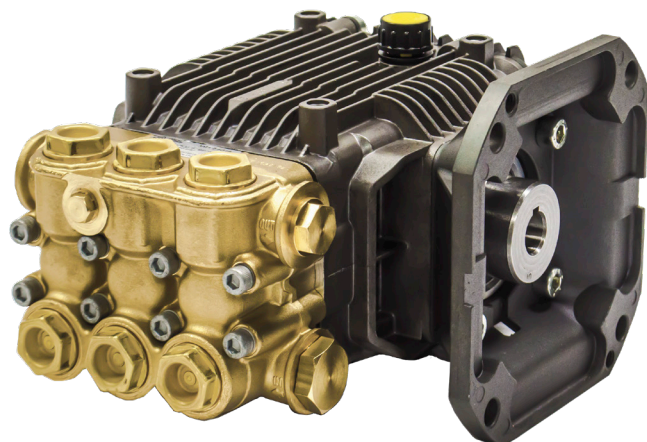
MOD	DESCRIPTION	LIST PRICE
AR2776	Viton Water Seals ø 15	\$360.60
AR2817	Kit for up to 180° F ø 15 High Temp	\$411.87
AR64516	Oil (16 oz)	\$15.80

REPAIR KITS

MOD	DESCRIPTION	QTY	LIST PRICE
AR1864	Valves	6	\$59.29
AR2544	Pistons ø 15	3	\$179.97
AR2741	Water Seals ø 15	3	\$108.65
AR2787	Oil Seals	6	\$59.70
AR2740	Support Ring ø 15	3	\$13.54

XMV-F33

HOLLOW SHAFT PUMP



Commercial

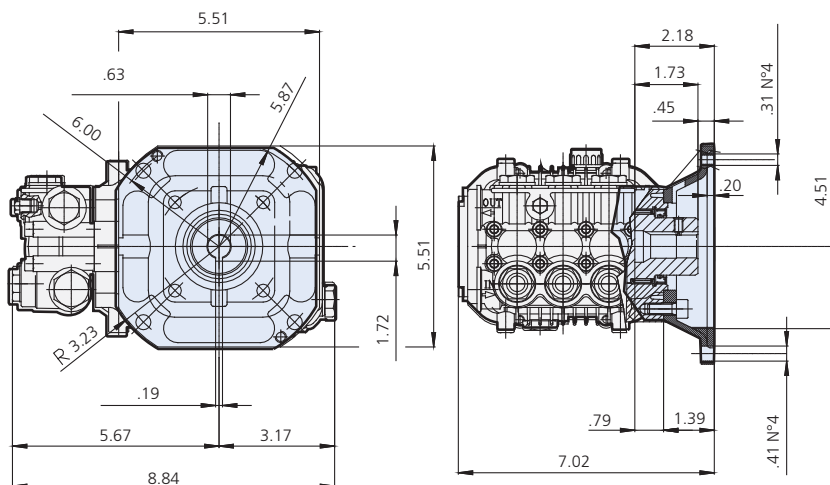
140° F - Max Water Temp
 1/2" F - Inlet Thread
 3/8" F - Discharge Thread
 14.5 oz - Oil Capacity



● brass head



○ aluminum connecting rods



D version + F33

MOD	MAX l/min	MAX gpm	MAX bar	MAX psi	MAX ebhp	MAX rpm	NET lbs	BORE DIA mm	STROKE mm	CRANKSHAFT ID STAMP	LIST PRICE \$
XMV 3400rpm D version 3/4" with Nema 56-C Flange											
XMV35G25D-F33 ● ○	13.2	3.5	170	2500	6.0	3400	15	15	8.2	11	\$731.82

SPECIAL PARTS / KITS

MOD	DESCRIPTION	LIST PRICE
AR2776	Viton Water Seals ø 15	\$360.60
AR2817	Kit for up to 180° F ø 15 High Temp	\$411.87
AR64516	Oil (16 oz)	\$15.80

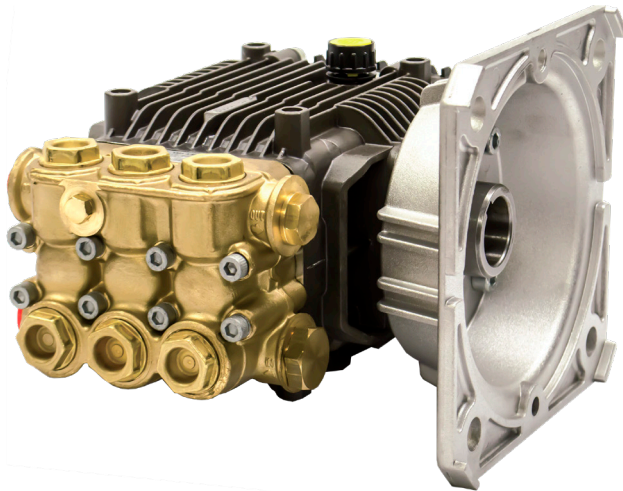
REPAIR KITS

MOD	DESCRIPTION	QTY	LIST PRICE
AR1864	Valves	6	\$59.29
AR2544	Pistons ø 15	3	\$179.97
AR2741	Water Seals ø 15	3	\$108.65
AR2787	Oil Seals	6	\$59.70
AR2740	Support Ring ø 15	3	\$13.54



SXMV-F24

HOLLOW SHAFT PUMP



Commercial

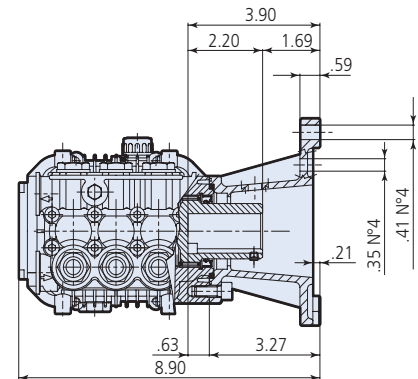
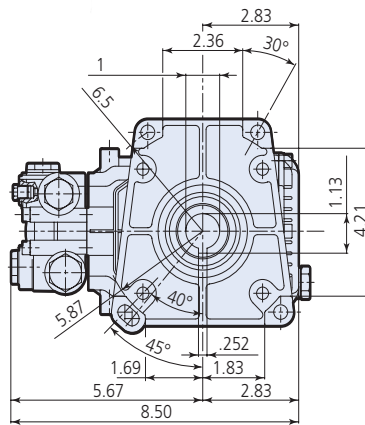
140° F - Max Water Temp
 1/2" F - Inlet Thread
 3/8" F - Discharge Thread
 14.5 oz - Oil Capacity



● brass head



○ aluminum connecting rods



D version + F24

MOD	MAX	MAX			BORE DIA	STROKE	CRANKSHAFT ID STAMP	LIST PRICE
	l/min	gpm	bar	psi	ebhp	rpm	lbs	mm

SXMV 3400rpm D version 1" with Gas Engine Flange												
SXMV3G40D-F24	● ○	11.4	3	275	4000	8.2	3400	16	15	7.6	9	\$814.44
SXMV35G40D-F24	● ○	13.2	3.5	275	4000	9.6	3400	16	15	8.2	8	\$814.44
SXMV4G40D-F24	● ○	15.1	4	275	4000	11.0	3400	16	15	9.4	7	\$814.44

SPECIAL PARTS / KITS

MOD	DESCRIPTION	LIST PRICE
AR2776	Viton Water Seals ø 15	\$360.60
AR2777	Viton Water Seals ø 18	\$360.60
AR2817	Kit for up to 180° F ø 15 High Temp	\$411.87
AR2818	Kit for up to 180° F ø 18 High Temp	\$414.42
AR42212	Kit for up to 180° F ø 15 High Temp (Teflon)	\$636.50
AR64516	Oil (16 oz)	\$15.80

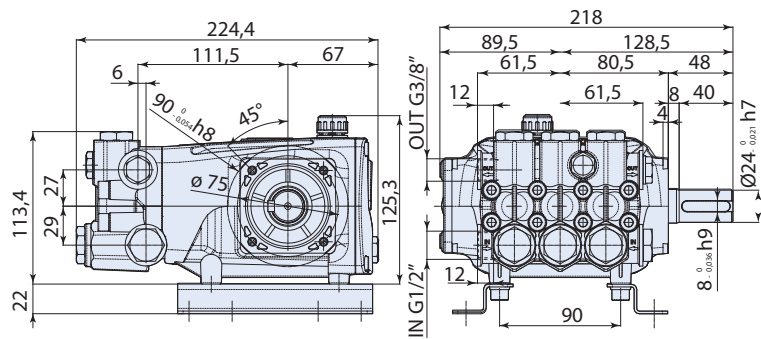
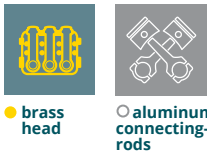
REPAIR KITS

MOD	DESCRIPTION	QTY	LIST PRICE
AR1864	Valves	6	\$59.29
AR2544	Pistons ø 15	3	\$179.97
AR2545	Pistons ø 18	3	\$200.69
AR2741	Water Seals ø 15	3	\$108.65
AR2747	Water Seals ø 18	3	\$119.51
AR2787	Oil Seals	6	\$59.70
AR2740	Support Ring ø 15	3	\$13.54
AR2745	Support Ring ø 18	3	\$6.75



Commercial

140° F - Max Water Temp
 1/2" F - Inlet Thread
 3/8" F - Discharge Thread
 13.35 oz - Oil Capacity



N version

MOD	MAX	MAX					NET	BORE DIA	STROKE	CRANKSHAFT ID STAMP	LIST PRICE
	l/min	gpm	bar	psi	ebhp	rpm	lbs	mm	mm		\$
RR 1450rpm N version 24mm Solid Shaft											
RR15.20N	15	4.0	200	3000	7.9	1450	17	18	13.8	2	\$766.05
RR15.25HN	15	4.0	250	3600	10.0	1450	17	18	13.8	2	\$830.97
RR18.16N	18	4.8	160	2500	7.6	1450	17	18	16.6	1	\$766.05

SPECIAL PARTS / KITS

MOD	DESCRIPTION	LIST PRICE
AR2633	Rail Kit 1-3/4" (2 rails & 4 bolts)	\$35.18
AR2633H	Rail Kit 2-5/8" (2 rails & 4 bolts)	\$46.40
AR64516	Oil (16 oz)	\$15.80

REPAIR KITS

MOD	DESCRIPTION	QTY	LIST PRICE
AR2864	Valves	6	\$72.86
AR2746	Pistons	3	\$200.69
AR42549	Water Seals	3	\$84.92
AR42547	Oil Seals	4	\$33.31
AR42550	O-Rings	17	\$16.42
AR2745	Support Rings	3	\$6.75
AR47109	Piston Guide	3	\$48.45



RRA

SOLID SHAFT PUMP



Commercial

140° F - Max Water Temp
 1/2" F - Inlet Thread
 3/8" F - Discharge Thread
 13.35 oz - Oil Capacity



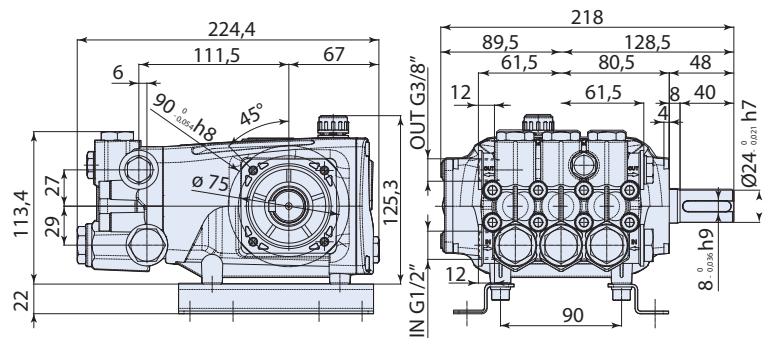
● brass head



○ bronze connecting rods



○ aluminum connecting rods



N version

MOD	MAX	MAX			BORE DIA	STROKE	CRANKSHAFT ID STAMP	LIST PRICE				
	l/min	gpm	bar	psi	ebhp	rpm	lbs	mm	mm		\$	
RRA 1750rpm N version 24mm Solid Shaft												
RRA35G30N	● ○	13.2	3.5	206	3000	7.2	1750	17	18	10.6	4	\$766.05
RRA4G30N	● ○	15.1	4	206	3000	8.2	1750	17	18	12.2	3	\$766.05
RRA4G40N	● ○	15.1	4	275	4000	10.9	1750	17	18	12.2	3	\$830.97
RRA55G30N	● ○	20.8	5.5	206	3000	11.3	1750	17	18	16.6	1	\$766.05

SPECIAL PARTS / KITS

MOD	DESCRIPTION	LIST PRICE
AR2633	Rail Kit 1-3/4" (2 rails & 4 bolts)	\$35.18
AR2633H	Rail Kit 2-5/8" (2 rails & 4 bolts)	\$46.40
AR64516	Oil (16 oz)	\$15.80

REPAIR KITS

MOD	DESCRIPTION	QTY	LIST PRICE
AR2864	Valves	6	\$72.86
AR2746	Pistons	3	\$200.69
AR42549	Water Seals	3	\$84.92
AR42547	Oil Seals	4	\$33.31
AR42550	O-Rings	17	\$16.42
AR2745	Support Rings	3	\$6.75
AR47109	Piston Guide	3	\$48.45

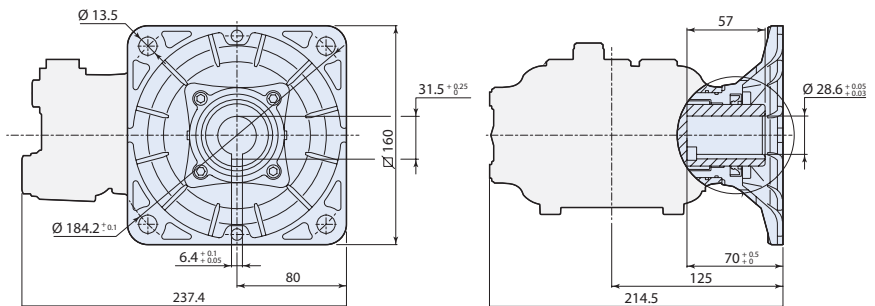
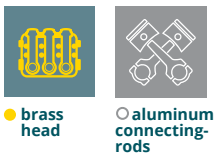
RRA-F17

HOLLOW SHAFT PUMP



Commercial

140° F - Max Water Temp
 1/2" F - Inlet Thread
 3/8" F - Discharge Thread
 13.35 oz - Oil Capacity



E version

MOD	MAX	MAX		NET	BORE DIA	STROKE	CRANKSHAFT ID STAMP	LIST PRICE
	l/min	gpm	bar	psi	ebhp	rpm	lbs	mm
RRA 1750rpm E version 1-1/8" with Nema 182-184 Flange								
RRA3G30E-F17	● ○	11.4	3	206	3000	6.2	1750	18
RRA35G30E-F17	● ○	13.2	3.5	206	3000	6.2	1750	18
RRA4G30E-F17	● ○	15.1	4	206	3000	8.2	1750	18
RRA55G26E-F17	● ○	20.8	5.5	206	2600	11.3	1750	18

SPECIAL PARTS / KITS

MOD	DESCRIPTION	LIST PRICE
AR64516	Oil (16 oz)	\$15.80

REPAIR KITS

MOD	DESCRIPTION	QTY	LIST PRICE
AR2864	Valves	6	\$72.86
AR2746	Pistons	3	\$200.69
AR42549	Water Seals	3	\$84.92
AR42555	Oil Seals	4	\$27.38
AR42550	O-Rings	17	\$16.42
AR2745	Support Rings	3	\$6.75
AR43192	18mm Hot Water Seal Kit	3	\$557.17



RRV-F24

HOLLOW SHAFT PUMP



Commercial

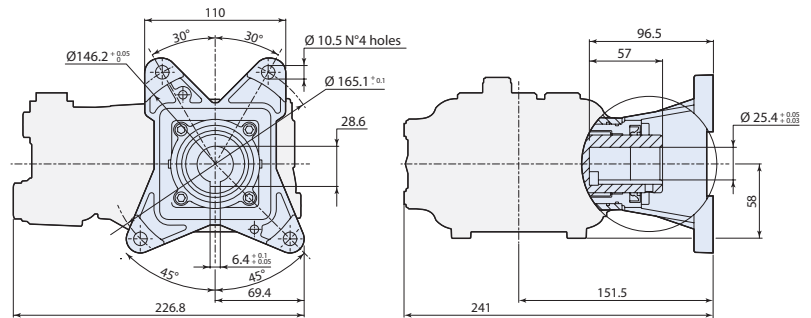
140° F - Max Water Temp
 1/2" F - Inlet Thread
 3/8" F - Discharge Thread
 13.35 oz - Oil Capacity



brass head



aluminum connecting-
 rods



D version + F24

MOD	MAX	MAX		NET	BORE DIA	STROKE	CRANKSHAFT ID STAMP	LIST PRICE				
	l/min	gpm	bar	psi	ebhp	rpm	lbs	mm	mm	\$		
RRV 3400rpm D version 1" with Gas Flange												
RRV3G36D-F24	● ○	11.4	3	248	3600	7.4	3400	18	15	7.4	7	\$667.10
RRV35G36D-F24	● ○	13.2	3.5	248	3600	8.6	3400	18	15	8.2	6	\$667.10
RRV4G40HD-F24	● ○	15.1	4	275	4000	11.0	3400	18	15	9.2	5	\$727.11
RRV35G40HD-F24	● ○	13.2	3.5	275	4000	9.6	3400	18	15	8.2	6	\$727.11

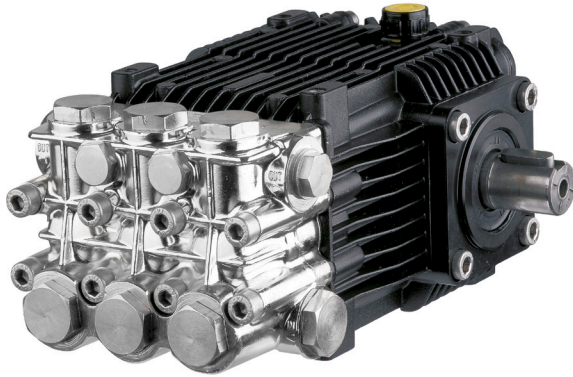
All pumps available in pre-plumbed packages

SPECIAL PARTS / KITS

MOD	DESCRIPTION	LIST PRICE
AR64516	Oil (16 oz)	\$15.80

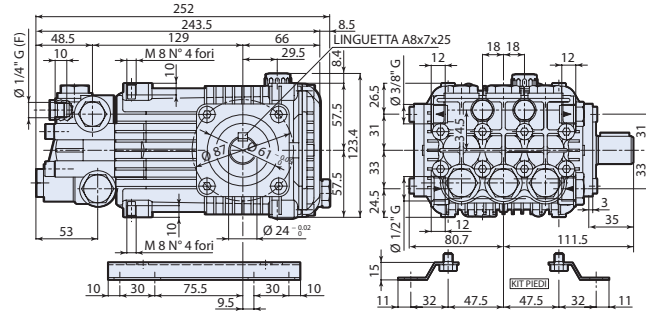
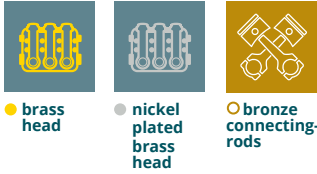
REPAIR KITS

MOD	DESCRIPTION	QTY	LIST PRICE
AR1828	Valves	6	\$69.79
AR2544	Pistons	3	\$179.97
AR42556	Water Seals	3	\$84.92
AR42555	Oil Seals	4	\$27.38
AR42550	O-Rings	17	\$16.42
AR2191	Support Rings	3	\$7.21



Commercial

140° F - Max Water Temp
 1/2" F - Inlet Thread
 3/8" F - Discharge Thread
 15 oz - Oil Capacity



N version

MOD	MAX	MAX		NET	BORE DIA	STROKE	CRANKSHAFT ID STAMP	LIST PRICE				
	l/min	gpm	bar	psi	ebhp	rpm	lbs	mm	mm	\$		
RK 1450rpm N version 24mm Solid Shaft												
RK1528HN	● ○	15	3.96	275	4000	11.0	1450	20	18	14.6	1	\$967.89
RK1528HN-SX	○ ○	15	3.96	275	4000	11.0	1450	20	18	14.6	1	\$967.89
RK1828HN	● ○	18	4.75	275	4000	13.0	1450	20	20	14.6	1	\$1,015.10
RK1828HNL	○ ○	18	4.75	275	4000	13.0	1450	20	20	14.6	1	\$1,026.90
RK2120NL	● ○	21	5.55	206	3000	11.4	1450	20	22	13.8	2	\$1,015.10
RK2415HN	○ ○	24	6.34	150	2200	9.6	1450	20	22	14.6	1	\$1,015.10

L = 45mm Shaft Length (standard length - 30mm)

SPECIAL PARTS / KITS

MOD	DESCRIPTION	LIST PRICE
AR2729	Rail Kit 5/8" (2 rails & 4 bolts)	\$32.02
AR2633	Rail Kit 1-3/4" (2 rails & 4 bolts)	\$35.18
AR2633H	Rail Kit 2-5/8" (2 rails & 4 bolts)	\$46.40
U-Bracket/Kit	Rail Kit 1-1/2" (2 rails & 4 bolts)	\$76.14
AR2809	Viton Water Seals ø 18	\$292.85
AR2810	Viton Water Seals ø 20	\$292.85
AR2811	Viton Water Seals ø 22	\$548.00
AR42213	Kit for up to 180° F ø 18 High Temp	\$636.29
AR2820	Kit for up to 180° F ø 20 High Temp	\$535.59
AR64516	Oil (16 oz)	\$15.80

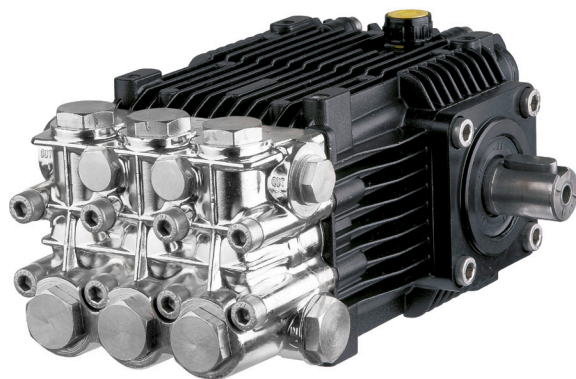
REPAIR KITS

MOD	DESCRIPTION	QTY	LIST PRICE
AR2864	Valves	6	\$72.86
AR2746	Pistons	3	\$200.69
AR2547	Pistons	3	\$240.71
AR2759	Pistons	3	\$373.64
AR1857	Water Seals	3	\$136.00
AR1887	Water Seals	3	\$173.60
AR1888	Water Seals	3	\$173.60
AR1855	Oil Seals	7	\$77.34
AR1829	Support Rings	3	\$18.41
AR1815	Support Rings	3	\$10.73
AR1816	Support Rings	3	\$12.00



RKA

SOLID SHAFT PUMP



Commercial

140° F - Max Water Temp
 1/2" F - Inlet Thread
 3/8" F - Discharge Thread
 15 oz - Oil Capacity



● brass head



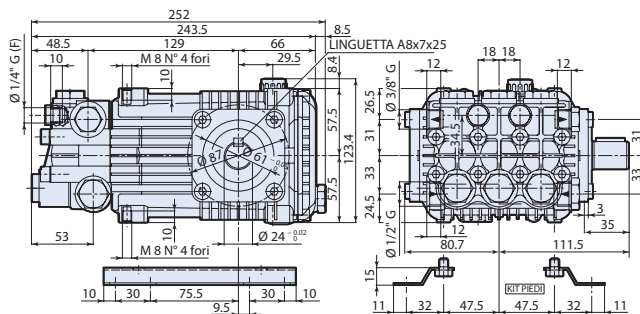
● nickel plated brass head



● bronze connecting-rods



○ aluminum connecting-rods



N version

MOD					BORE DIA	STROKE	CRANKSHAFT ID STAMP	LIST PRICE
	l/min	gpm	bar	psi	ebhp	rpm	lbs	mm
RKA 1750rpm N version 24mm Solid Shaft								
RKA35G40HN	● ○	13.2	3.5	275	4000	9.6	1750	20
RKA4G30AN	● ○	15.1	4	206	3000	8.2	1750	19
RKA4G30N	● ○	15.1	4	206	3000	8.2	1750	19
RKA4G40HN	○ ○	15.1	4	275	4000	11.0	1750	20
RKA4G40HN-SX	● ○	15.1	4	275	4000	11.0	1750	20
RKA4G40HNL	○ ○	15.1	4	275	4000	11.0	1750	20
RKA45G40HN	● ○	17	4.5	275	4000	12.5	1750	20

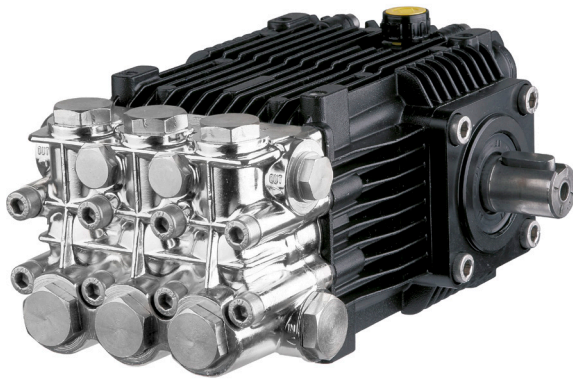
L = 45mm Shaft Length (standard length - 30mm)
 SX - 180° Rotated Shaft Configuration

SPECIAL PARTS / KITS

MOD	DESCRIPTION	LIST PRICE
AR2729	Rail Kit 5/8" (2 rails & 4 bolts)	\$32.02
AR2633	Rail Kit 1-3/4" (2 rails & 4 bolts)	\$35.18
AR2633H	Rail Kit 2-5/8" (2 rails & 4 bolts)	\$46.40
U-Bracket/Kit	Rail Kit 1-1/2" (2 rails & 4 bolts)	\$76.14
AR2809	Viton Water Seals ø 18	\$292.85
AR42213	Kit for up to 180° F ø 18 High Temp	\$636.29
AR64516	Oil (16 oz)	\$15.80

REPAIR KITS

MOD	DESCRIPTION	QTY	LIST PRICE
AR2864	Valves	6	\$72.86
AR2546	Pistons ø 18	3	\$227.40
AR1857	Water Seals ø 18	3	\$136.00
AR1855	Oil Seals	7	\$77.34
AR1829	Support Rings ø 18	3	\$18.41



Commercial

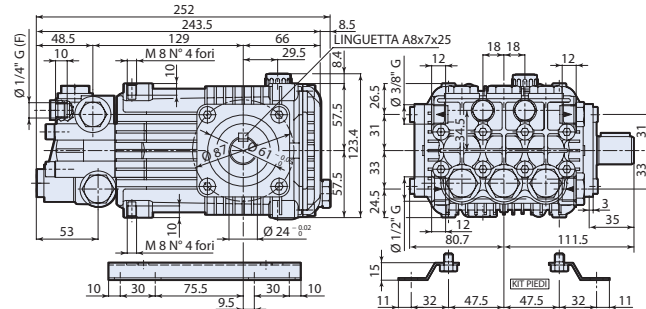
140° F - Max Water Temp
 1/2" F - Inlet Thread
 3/8" F - Discharge Thread
 15 oz - Oil Capacity



● nickel plated brass head



○ bronze connecting rods



N version

MOD	MAX	MAX					NET	BORE DIA	STROKE	CRANKSHAFT ID STAMP	LIST PRICE
	l/min	gpm	bar	psi	ebhp	rpm	lbs	mm	mm		\$
RKA 1750rpm N version 24mm Solid Shaft											
RKA55G30HN ● ○	20.8	5.5	206	3000	11.3	1750	20	20	13.8	2	\$1,015.10
RKA65G20HN ○ ●	25	6.6	138	2000	9.0	1750	20	22	13.8	2	\$1,015.10
RKA7G20HN ● ○	27	7.1	138	2000	10.0	1750	20	22	14.6	1	\$1,015.10

SPECIAL PARTS / KITS

MOD	DESCRIPTION	LIST PRICE
AR2729	Rail Kit 5/8" (2 rails & 4 bolts)	\$32.02
AR2633	Rail Kit 1-3/4" (2 rails & 4 bolts)	\$35.18
AR2633H	Rail Kit 2-5/8" (2 rails & 4 bolts)	\$46.40
U-Bracket/Kit	Rail Kit 1-1/2" (2 rails & 4 bolts)	\$76.14
AR2810	Viton Water Seals Ø 20	\$292.85
AR2811	Viton Water Seals Ø 22	\$548.00
AR2820	Kit for up to 180° F Ø 20 High Temp	\$535.59
AR64516	Oil (16 oz)	\$15.80

REPAIR KITS

MOD	DESCRIPTION	QTY	LIST PRICE
AR2864	Valves	6	\$72.86
AR2547	Pistons Ø 20	3	\$240.71
AR2759	Pistons Ø 22	3	\$373.64
AR1887	Water Seals Ø 20	3	\$173.60
AR1888	Water Seals Ø 22	3	\$173.60
AR1855	Oil Seals	7	\$77.34
AR1815	Support Rings Ø 20	3	\$10.73
AR1816	Support Rings Ø 22	3	\$12.00



RKA-F17

HOLLOW SHAFT PUMP



Commercial

140° F - Max Water Temp
 1/2" F - Inlet Thread
 3/8" F - Discharge Thread
 15 oz - Oil Capacity



● brass head



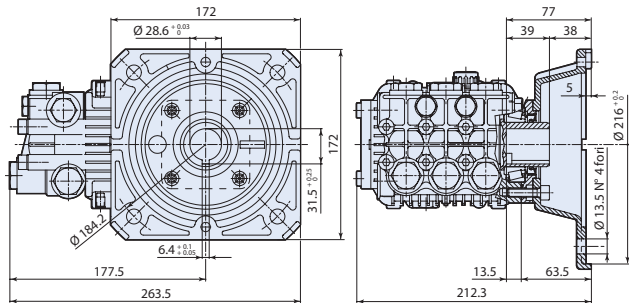
● nickel plated brass head



○ bronze connecting rods



○ aluminum connecting rods



E version + F17

MOD	MAX	MAX		NET	BORE DIA	STROKE	CRANKSHAFT ID STAMP	LIST PRICE
	l/min	gpm	bar	psi	ebhp	rpm	lbs	mm
RKA 1750rpm E version 1-1/8" with Nema 182-184 Flange								
RKA35G30E-F17	● ○	13.2	3.5	206	3000	6.8	1750	21 18 10.8 5 \$932.48
RKA35G40HE-F17	○ ○	13.2	3.5	275	4000	9.6	1750	21 18 10.8 5 \$1,026.90
RKA4G30E-F17	● ○	15.1	4	206	3000	8.2	1750	21 18 12 4 \$932.48
RKA4G30HE-F17	○ ○	15.1	4	206	3000	8.2	1750	21 18 12 4 \$1,026.90
RKA4.8G30E-F17	● ○	18.2	4.8	206	3000	10.0	1750	21 20 12 4 \$991.49
RKA55G13E-F17	● ○	20.8	5.5	138	2000	7.5	1750	21 20 13.8 2 \$991.49
RKA7G20HE-F17	● ○	27	7.1	138	2000	10.0	1750	21 22 14.6 1 \$1,085.92

SPECIAL PARTS / KITS

MOD	DESCRIPTION	LIST PRICE
AR2809	Viton Water Seals \varnothing 18	\$292.85
AR2810	Viton Water Seals \varnothing 20	\$292.85
AR2811	Viton Water Seals \varnothing 22	\$548.00
AR42213	Kit for up to 180° F \varnothing 18 High Temp	\$636.29
AR2820	Kit for up to 180° F \varnothing 20 High Temp	\$535.59
AR42149	Single Cylinder Pistons Kit	\$55.64
AR64516	Oil (16 oz)	\$15.80

REPAIR KITS

MOD	DESCRIPTION	QTY	LIST PRICE
AR2864	Valves	6	\$72.86
AR2546	Pistons \varnothing 18	3	\$227.40
AR2547	Pistons \varnothing 20	3	\$240.71
AR2759	Pistons \varnothing 22	3	\$373.64
AR1857	Water Seals \varnothing 18	3	\$136.00
AR1887	Water Seals \varnothing 20	3	\$173.60
AR1888	Water Seals \varnothing 22	3	\$173.60
AR1856	Oil Seals	7	\$62.76
AR1829	Support Rings \varnothing 18	3	\$18.41
AR1815	Support Rings \varnothing 20	3	\$10.73
AR1816	Support Rings \varnothing 22	3	\$12.00

RKV-F24

HOLLOW SHAFT PUMP



Commercial

140° F - Max Water Temp
 1/2" F - Inlet Thread
 3/8" F - Discharge Thread
 15 oz - Oil Capacity



● brass head



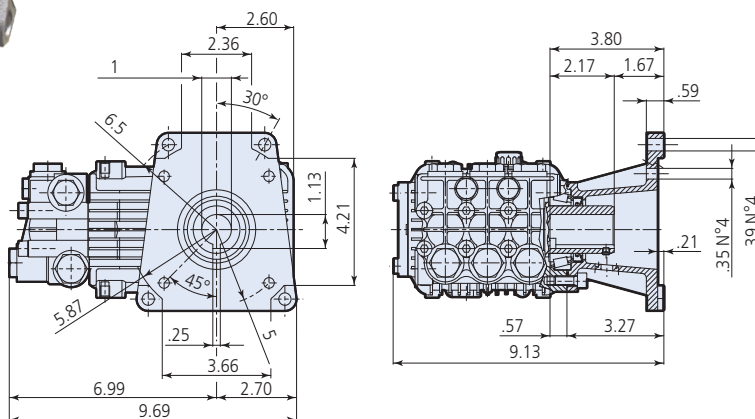
● nickel plated brass head



○ bronze connecting-rods



○ aluminum connecting-rods



D version + F24

MOD	MAX	MAX	MAX	MAX	NET	BORE DIA	STROKE	CRANKSHAFT ID STAMP	LIST PRICE			
	l/min	gpm	bar	psi	ebhp	rpm	lbs	mm	mm	\$		
RKV 3400 rpm D version 1" with Gas Engine Flange												
RKV35G30AD-F24	● ○	13.2	3.5	206	3000	7.5	3400	21	18	6.2	9	\$939.56
RKV35G40HD-F24	○ ○	13.2	3.5	275	4000	10.0	3400	21	18	6.2	9	\$939.56
RKV4G37D-F24	● ○	15.1	4	255	3700	7.5	3400	21	18	7	8	\$944.28
RKV4G40HD-F24	○ ○	15.1	4	275	4000	11.0	3400	21	18	7	8	\$1,038.70
RKV45G32D-F24	● ○	17	4.5	220	3200	10.0	3400	21	18	8	7	\$944.28
RKV45G40HD-F24	○ ○	17	4.5	275	4000	12.4	3400	21	18	8	7	\$1,038.70
RKV5G40HD-F 24	● ○	18.3	5	275	4000	13.7	3400	21	18	8.6	11	\$1,038.70
RKV55G40HD-F24	○ ○	20.8	5.5	275	4000	15.0	3400	21	18	9.8	6	\$1,038.70

SPECIAL PARTS / KITS

MOD	DESCRIPTION	LIST PRICE
AR2809	Viton Water Seals ø 18	\$292.85
AR42213	Kit for up to 180° F ø 18 High Temp	\$636.29
AR42149	Single Cylinder Pistons Kit	\$55.64
AR64516	Oil (16 oz)	\$15.80

REPAIR KITS

MOD	DESCRIPTION	QTY	LIST PRICE
AR1828	Valves	6	\$69.79
AR2546	Pistons ø 18	3	\$227.40
AR1857	Water Seals ø 18	3	\$136.00
AR1856	Oil Seals	7	\$62.76
AR1829	Support Rings ø 18	3	\$18.41





RG

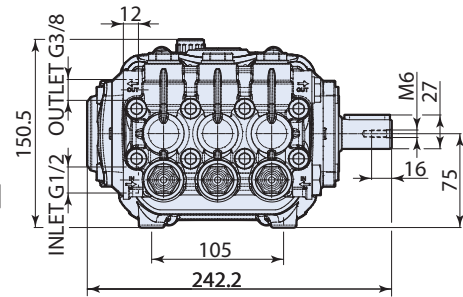
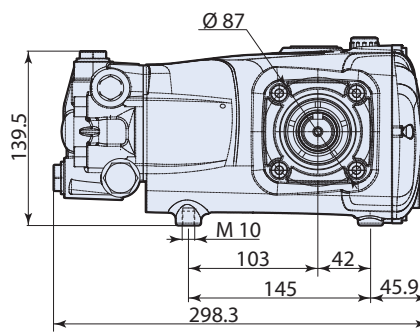
SOLID SHAFT PUMP








Commercial

140° F - Max Water Temp
 1/2" F - Inlet Thread
 3/8" F - Discharge Thread
 32 oz - Oil Capacity

-  nickel plated brass head
-  aluminum connecting rods



N version

MOD	 MAX	 MAX	 MAX			BORE DIA	STROKE	CRANKSHAFT ID STAMP	LIST PRICE			
	l/min	gpm	bar	psi	ebhp	rpm	lbs	mm	mm	\$		
RG 1450rpm N version 24 x 40mm Solid Shaft												
RG1528HN	● ○	15	4	280	4000	11.0	1450	27.5	18	14.6	3	\$998.36
RG2125HN	○ ○	21	5.5	250	3600	13.6	1450	27.5	18	19.8	1	\$998.36
RG2125HN-SX	● ○	21	5.5	250	3600	13.6	1450	27.5	18	19.8	1	\$998.36

SX - 180° Rotated Shaft Configuration

SPECIAL PARTS / KITS

MOD	DESCRIPTION	LIST PRICE
AR2748	Rail Kit 1-1/4" (2 rails & 4 bolts)	\$26.67
AR2748H	Rail Kit 2-1/2" (2 rails & 4 bolts)	\$74.62
AR64516	Oil (16 oz)	\$15.80
AR43619	Piston Ø 20	\$90.08
AR43620	Water Seal Ø 20	\$90.87
AR43621	Piston Guide Ø 20	\$77.92

REPAIR KITS

MOD	DESCRIPTION	QTY	LIST PRICE
AR2864	Valves	6	\$72.86
AR2548	Pistons Ø 18	3	\$261.53
AR46848	Water Seals Ø 18	3	\$38.28
AR47083	Oil Seals	4	\$36.03
AR42172	Piston Guides Ø 18	3	229.20
AR2780	Valves Ø 22	6	156.20
AR2543	Piston Ø 22	3	\$302.18
AR2783	Water Seal Ø 22	3	\$165.54
AR2785	Piston Guide Ø 22	3	\$142.78



Commercial

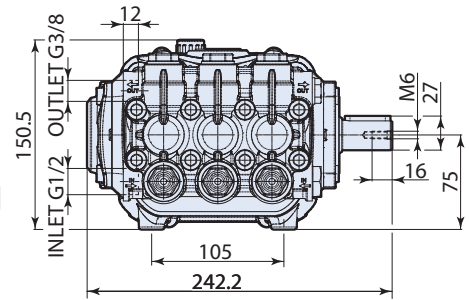
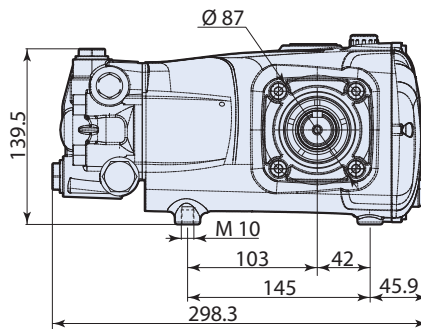
140° F - Max Water Temp
 1/2" F - Inlet Thread
 3/8" F - Discharge Thread
 32 oz - Oil Capacity



● nickel plated brass head



○ aluminum connecting rods



N version

MOD	MAX	MAX		NET	BORE DIA	STROKE	CRANKSHAFT ID STAMP	LIST PRICE				
	l/min	gpm	bar	psi	ebhp	rpm	lbs	mm	mm		\$	
RGA 1750rpm N version 24mm Solid Shaft												
RGA4G40HN	● ○	15	4	280	4000	11	1750	27.5	18	12.2	4	\$998.36

SPECIAL PARTS / KITS

MOD	DESCRIPTION	LIST PRICE
AR2748	Rail Kit 1-1/4" (2 rails & 4 bolts)	\$26.67
AR2748H	Rail Kit 2-1/2" (2 rails & 4 bolts)	\$74.62
AR64516	Oil (16 oz)	\$15.80

REPAIR KITS

MOD	DESCRIPTION	QTY	LIST PRICE
AR2864	Valves	6	\$72.86
AR2872	Pistons Ø 18	3	\$261.53
AR46848	Water Seals	3	\$38.28
AR47083	Oil Seals	4	\$36.03
AR42172	Piston Guides	3	\$229.20



SRG

SOLID SHAFT PUMP



Commercial

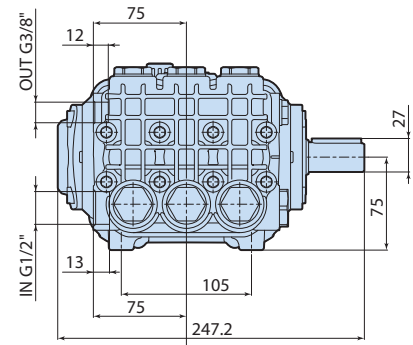
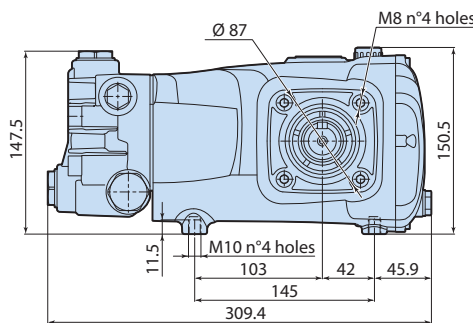
140° F - Max Water Temp
 1/2" F - Inlet Thread
 3/8" F - Discharge Thread
 32 oz - Oil Capacity



● brass head



○ aluminum connecting rods



N version

MOD	MAX	MAX		NET	BORE DIA	STROKE	CRANKSHAFT ID STAMP	LIST PRICE			
	l/min	gpm	bar	psi	ebhp	rpm	lbs	mm	mm		\$

SRG 1450rpm N version 24mm Solid Shaft

SRG1535N ● ○	15	4.0	350	5100	14.0	1450	35.2	18	15.0	8	\$1,596.50
SRG2135N ● ○	21	5.5	350	5100	19.2	1450	35.2	18	21.0	7	\$1,391.52
SRG3035N ● ○	30	7.9	350	5100	27.6	1450	35.2	20	23.0	15	\$1,982.99

SX - 180° Rotated Shaft Configuration

SPECIAL PARTS / KITS

MOD	DESCRIPTION	LIST PRICE
AR2748	Rail Kit 1-1/4" (2 rails & 4 bolts)	\$25.90
AR2748H	Rail Kit 2-1/2" (2 rails & 4 bolts)	\$72.45
AR64516	Oil (16 oz)	\$15.34

REPAIR KITS

MOD	DESCRIPTION	QTY	LIST PRICE
AR2871	Valves	6	\$194.31
AR46939	Pistons Ø 20	3	\$97.73
AR46941	Water Seals Ø 20	3	\$236.45
AR46940	Oil Seals	4	\$25.56
AR46942	Piston Guides Ø 20	3	\$96.72
AR2548	Pistons Ø 18	3	\$261.53
AR47083	Oil Seals Ø 18	7	\$36.03
AR2874	Water Seals Ø 18	9	\$200.96
AR42120	Piston Guides Ø 18	6	\$160.68



Commercial

140° F - Max Water Temp
 3/4" F - Inlet Thread
 3/8" F - Discharge Thread
 32 oz - Oil Capacity



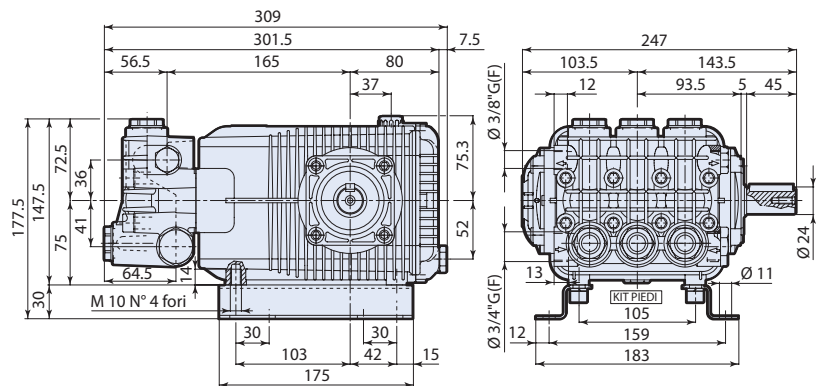
● brass head



○ bronze connecting-rods



○ aluminum connecting-rods



N version

MOD	MAX	MAX			BORE DIA	STROKE	CRANKSHAFT ID STAMP	LIST PRICE
	l/min	gpm	bar	psi	mm	mm		\$
XW 1450rpm N version 24mm Solid Shaft								
XWM1530N	● ○ 15	4	300	4350	12.0	1450	34	\$1,428.22
XWM2128N	● ○ 21	5.55	280	4060	15.5	1450	34	\$1,428.22
XWM2623N	● ○ 26	6.87	250	3600	17.0	1450	34	\$1,546.26
XW3025N	● ○ 30	7.92	250	3600	20.0	1450	34	\$1,581.44
XW3028N	● ○ 30	7.92	280	4000	21.8	1450	34	\$1,987.23

SPECIAL PARTS / KITS

MOD	DESCRIPTION	LIST PRICE
AR2748	Rail Kit 1-1/4" (2 rails & 4 bolts)	\$26.67
AR2748H	Rail Kit 2-1/2" (2 rails & 4 bolts)	\$74.62
U-Bracket/Kit	Rail Kit 1-1/2" (2 rails & 4 bolts)	\$76.14
AR2778	Viton Water Seals ø 20 (used only w/ AR2784 Piston Guides)	\$250.94
AR2779	Viton Water Seals ø 22 (used only w/ AR2785 Piston Guides)	\$241.48
AR980069	Packing Extractor	\$181.98
AR64516	Oil (16 oz)	\$15.80

REPAIR KITS

MOD	DESCRIPTION	QTY	LIST PRICE
AR2780	Valves	6	\$156.20
AR2288	Pistons ø 20 (xwm)	3	\$303.08
AR2543	Pistons ø 22 (xw)	3	\$302.18
AR2278	Water Seals ø 20 (xw)	3	\$192.89
AR2782	Water Seals ø 20 (xwm)	3	\$155.44
AR2783	Water Seals ø 22 (xw)	3	\$165.54
AR2781	Oil Seals	6	\$73.50
AR2279	Piston Guides ø 20 (xwm)	3	\$138.07
AR2784	Piston Guides ø 20 (xw)	3	\$116.83
AR2785	Piston Guides ø 22 (xw)	3	\$142.78



XWA

SOLID SHAFT PUMP



Commercial

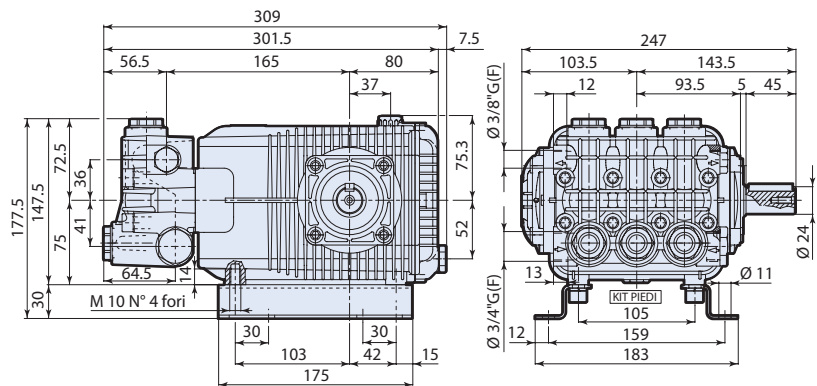
140° F - Max Water Temp
 3/4" F - Inlet Thread
 3/8" F - Discharge Thread
 32 oz - Oil Capacity



● brass head



○ aluminum connecting-rods



N version

MOD	MAX	MAX			BORE DIA	STROKE	CRANKSHAFT ID STAMP	LIST PRICE
	l/min	gpm	bar	psi	ebhp	rpm	lbs	\$
XWA 1750rpm N version 24mm Solid Shaft								
XWAM4G40N	15	4	275	4000	11.0	1750	34	\$1,428.22
XWAM55G40N	21	5.5	275	4000	15.0	1750	34	\$1,428.22
XWAM7G40N	25.5	7	275	4000	19.2	1750	34	\$1,546.26
XWAM8G35N	30	8	240	3500	19.2	1750	34	\$1,546.26
XWA9G30N	34	9	200	3000	18.5	1750	34	\$1,628.88

SPECIAL PARTS / KITS

MOD	DESCRIPTION	LIST PRICE
AR2748	Rail Kit 1-1/4" (2 rails & 4 bolts)	\$26.67
AR2748H	Rail Kit 2-1/2" (2 rails & 4 bolts)	\$74.62
U-Bracket/Kit	Rail Kit 1-1/2" (2 rails & 4 bolts)	\$76.14
AR2778	Viton Water Seals \varnothing 20 (used only w/ AR2784 Piston Guides)	\$250.94
AR2779	Viton Water Seals \varnothing 22 (used only w/ AR2785 Piston Guides)	\$241.48
AR980069	Packing Extractor	\$181.98
AR64516	Oil (16 oz)	\$15.80

REPAIR KITS

MOD	DESCRIPTION	QTY	LIST PRICE
AR2780	Valves	6	\$156.20
AR2288	Pistons \varnothing 20 (XWAM)	3	\$303.08
AR2543	Pistons \varnothing 22 (XWA)	3	\$302.18
AR2278	Water Seals \varnothing 20 (XWAM)	3	\$192.89
AR2782	Water Seals \varnothing 20 (XWA)	3	\$155.44
AR2783	Water Seals \varnothing 20 (XWA)	3	\$165.54
AR2781	Oil Seals	6	\$73.50
AR2279	Piston Guides \varnothing 20 (XWAM)	3	\$138.07
AR2784	Piston Guides \varnothing 20 (XW)	3	\$116.83
AR2785	Piston Guides \varnothing 22 (XWA)	3	\$142.78



Commercial

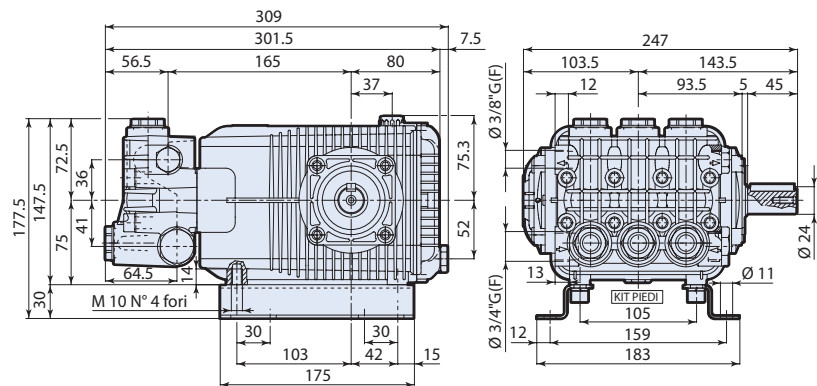
140° F - Max Water Temp
 3/4" F - Inlet Thread
 3/8" F - Discharge Thread
 32 oz - Oil Capacity



● brass head



○ aluminum connecting rods



N version

MOD	MAX	MAX			BORE DIA	STROKE	CRANKSHAFT ID STAMP	LIST PRICE			
	l/min	gpm	bar	psi	ebhp	rpm	lbs	mm	mm		\$
XWT 550 rpm N version 24mm Solid Shaft											
XWT2118N ● ○	21	5.55	200	3000	11.0	500	34	28	19.8	1	\$1,770.53

SPECIAL PARTS / KITS

MOD	DESCRIPTION	LIST PRICE
AR2748	Rail Kit 1-1/4" (2 rails & 4 bolts)	\$26.67
AR2748H	Rail Kit 2-1/2" (2 rails & 4 bolts)	\$74.62
U-Bracket/Kit	Rail Kit 1-1/2" (2 rails & 4 bolts)	\$76.14
AR64516	Oil (16 oz)	\$15.80

REPAIR KITS

MOD	DESCRIPTION	QTY	LIST PRICE
AR2780	Valves	6	\$156.20
AR1849	Pistons Ø 28	3	\$454.68
AR1853	Water Seals Ø 28	3	\$309.84
AR42708	Water Seals Ø 28 (new)	3	\$298.96
AR2781	Oil Seals	6	\$73.50
AR2507	Piston Guides Ø 28	3	\$154.27
AR42650	Piston Guides Ø 28 (new)	3	\$289.42



XWF

SOLID SHAFT PUMP



Commercial

140° F - Max Water Temp
 3/4" F - Inlet Thread
 3/8" F - Discharge Thread
 32 oz - Oil Capacity



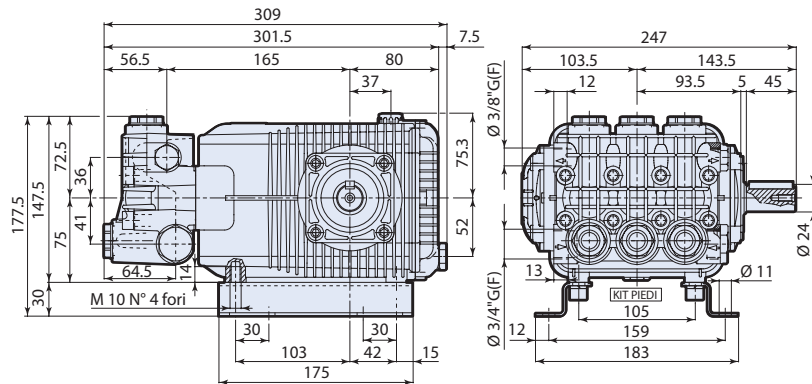
• brass head



○ bronze connecting rods



○ aluminum connecting rods



N version

MOD	MAX	MAX			BORE DIA	STROKE	CRANKSHAFT ID STAMP	LIST PRICE
	l/min	gpm	bar	psi	mm	mm		\$
XWF 1000rpm N version 24mm Solid Shaft								
XWF26.20N	26	6.87	200	3000	28	15	8	\$1,770.53
XWF3020N	30	7.92	200	3000	28	17.2	2	\$1,770.53
XWF3617N	36	9.51	170	2500	28	19.8	1	\$1,770.53

SPECIAL PARTS / KITS

MOD	DESCRIPTION	LIST PRICE
AR2748	Rail Kit 1-1/4" (2 rails & 4 bolts)	\$26.67
AR2748H	Rail Kit 2-1/2" (2 rails & 4 bolts)	\$74.62
U-Bracket/Kit	Rail Kit 1-1/2" (2 rails & 4 bolts)	\$76.14
AR64516	Oil (16 oz)	\$15.80

REPAIR KITS

MOD	DESCRIPTION	QTY	LIST PRICE
AR2780	Valves	6	\$156.20
AR1849	Pistons Ø 28	3	\$454.68
AR1853	Water Seals Ø 28	3	\$309.84
AR42708	Water Seals Ø 28 (new)	3	\$298.96
AR2781	Oil Seals	6	\$73.50
AR2507	Piston Guides Ø 28	3	\$154.27
AR42650	Piston Guides Ø 28 (new)	3	\$289.42



Commercial

140° F - Max Water Temp
 3/4" F - Inlet Thread
 3/8" F - Discharge Thread
 32 oz - Oil Capacity



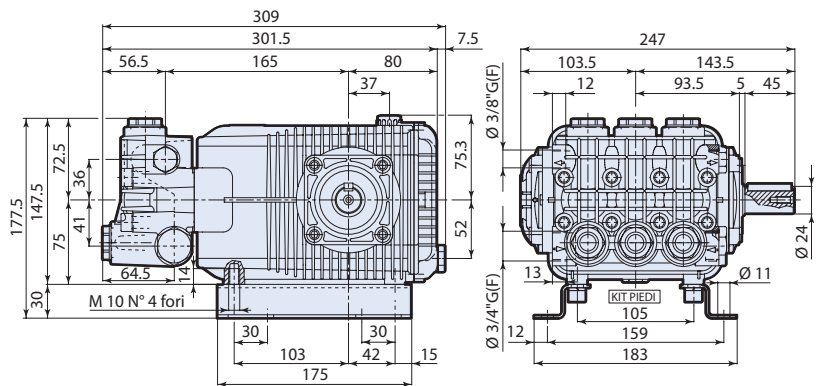
● brass head



○ bronze connecting rods



○ aluminum connecting rods



N version

MOD	MAX	MAX			BORE DIA	STROKE	CRANKSHAFT ID STAMP	LIST PRICE				
	l/min	gpm	bar	psi	ebhp	rpm	lbs	mm	mm		\$	
XWL 1450rpm N version 24mm Solid Shaft												
XWL41.21N	● ○	41	10.8	200	3000	22.2	1450	34	28	16.6	3	\$1,935.78
XWL42.15N	● ○	42	11.09	150	2200	16.7	1450	34	28	17.2	2	\$1,770.53
XWL50.15N	● ○	50	13.2	150	2200	19.9	1450	34	28	19.4	10	\$1,935.78
XWL50.20NB	● ○	50	13.2	200	3000	25.5	1450	34	28	19.4	10	\$2,193.09

SPECIAL PARTS / KITS

MOD	DESCRIPTION	LIST PRICE
AR2748	Rail Kit 1-1/4" (2 rails & 4 bolts)	\$26.67
AR2748H	Rail Kit 2-1/2" (2 rails & 4 bolts)	\$74.62
U-Bracket/Kit	Rail Kit 1-1/2" (2 rails & 4 bolts)	\$76.14
AR2036	Viton Water Seals Ø 28	\$312.41
AR64516	Oil (16 oz)	\$15.80

REPAIR KITS

MOD	DESCRIPTION	QTY	LIST PRICE
AR2780	Valves	6	\$156.20
AR1849	Pistons Ø 28	3	\$454.68
AR1853	Water Seals Ø 28	3	\$309.84
AR42708	Water Seals Ø 28 (new)	3	\$298.96
AR2781	Oil Seals	6	\$73.50
AR2507	Piston Guides Ø 28	3	\$154.27
AR42650	Piston Guides Ø 28 (new)	3	\$289.42



XWLA

SOLID SHAFT PUMP



Commercial

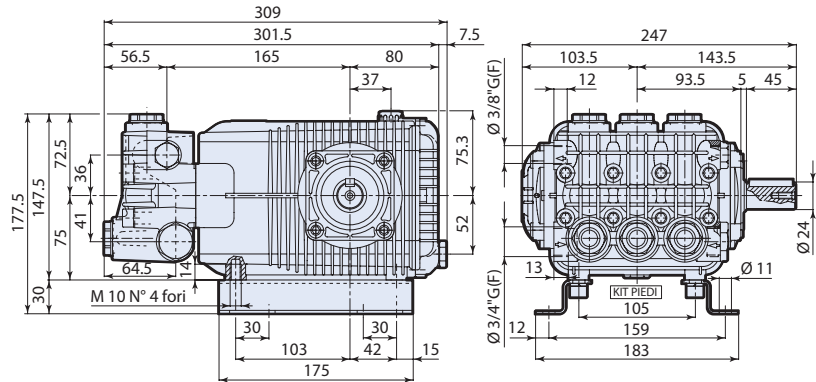
140° F - Max Water Temp
 3/4" F - Inlet Thread
 3/8" F - Discharge Thread
 32 oz - Oil Capacity



● brass head



○ aluminum connecting rods



N version

MOD	MAX l/min	MAX gpm	MAX bar	MAX psi	MAX ebhp	MAX rpm	NET lbs	BORE DIA mm	STROKE mm	CRANKSHAFT ID STAMP	LIST PRICE \$
XWLA 1750 rpm N version 24mm Solid Shaft											
XWLA13G15N ● ○	49	13	100	1450	13.0	1750	34	28	17.2	2	\$1,770.53

SPECIAL PARTS / KITS

MOD	DESCRIPTION	LIST PRICE
AR2748	Rail Kit 1-1/4" (2 rails & 4 bolts)	\$26.67
AR2748H	Rail Kit 2-1/2" (2 rails & 4 bolts)	\$74.62
U-Bracket/Kit	Rail Kit 1-1/2" (2 rails & 4 bolts)	\$76.14
AR2036	Viton Water Seals ø 28	\$312.41
AR64516	Oil (16 oz)	\$15.80

REPAIR KITS

MOD	DESCRIPTION	QTY	LIST PRICE
AR2780	Valves	6	\$156.20
AR1849	Pistons ø 28	3	\$454.68
AR1853	Water Seals ø 28	3	\$309.84
AR42708	Water Seals ø 28 (new)	3	\$298.96
AR2781	Oil Seals	6	\$73.50
AR2507	Piston Guides ø 28	3	\$154.27
AR42650	Piston Guides ø 28 (new)	3	\$289.42



Commercial

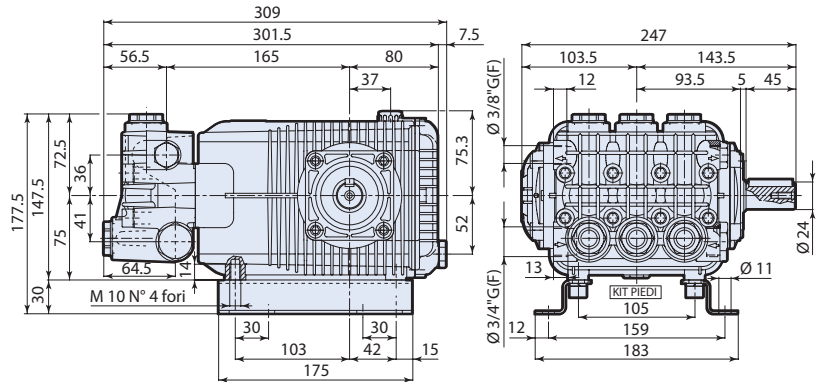
140° F - Max Water Temp
 1/2" F - Inlet Thread
 3/8" F - Discharge Thread
 32 oz - Oil Capacity



● brass head



○ aluminum connecting rods



N version

MOD	MAX	MAX		NET	BORE DIA	STROKE	CRANKSHAFT ID STAMP	LIST PRICE				
	l/min	gpm	bar	psi	ebhp	rpm	lbs	mm	mm		\$	
SXW 1450rpm N version 24mm Solid Shaft												
SXW15.35	● ○	15	3.96	350	5100	15.0	1450	35	18	15	8	\$1,923.97
SXW21.350	● ○	21	5.55	350	5100	20.0	1450	35	18	21	7	\$1,923.97

SPECIAL PARTS / KITS

MOD	DESCRIPTION	LIST PRICE
AR2748	Rail Kit 1-1/4" (2 rails & 4 bolts)	\$26.67
AR2748H	Rail Kit 2-1/2" (2 rails & 4 bolts)	\$74.62
U-Bracket/Kit	Rail Kit 1-1/2" (2 rails & 4 bolts)	\$76.14
AR394280	Valve O-Ring	\$0.84
AR1941040	Valve Fiber Ring	\$2.81
AR64516	Oil (16 oz)	\$15.80

REPAIR KITS

MOD	DESCRIPTION	QTY	LIST PRICE
AR2871	Valves	6	\$194.31
AR2548	Pistons	3	\$261.53
AR2874	Water Seals	3	\$200.96
AR42708	Oil Seals	6	\$298.96
AR42120	Piston Guides	3	\$160.68



SXWA

SOLID SHAFT PUMP



Commercial

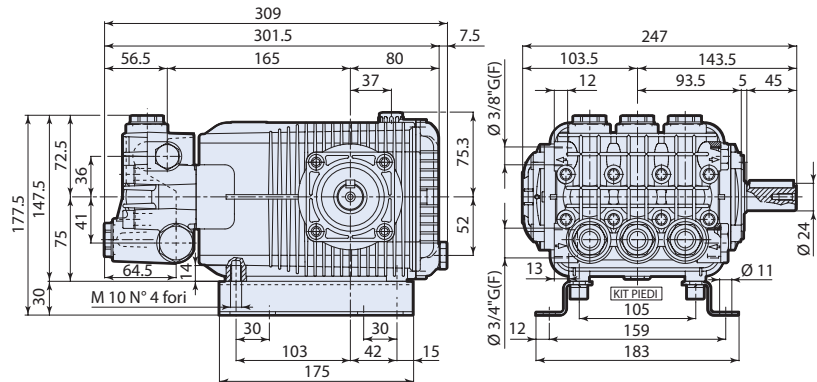
140° F - Max Water Temp
 1/2" F - Inlet Thread
 3/8" F - Discharge Thread
 32 oz - Oil Capacity



● brass head



○ aluminum connecting rods



N version

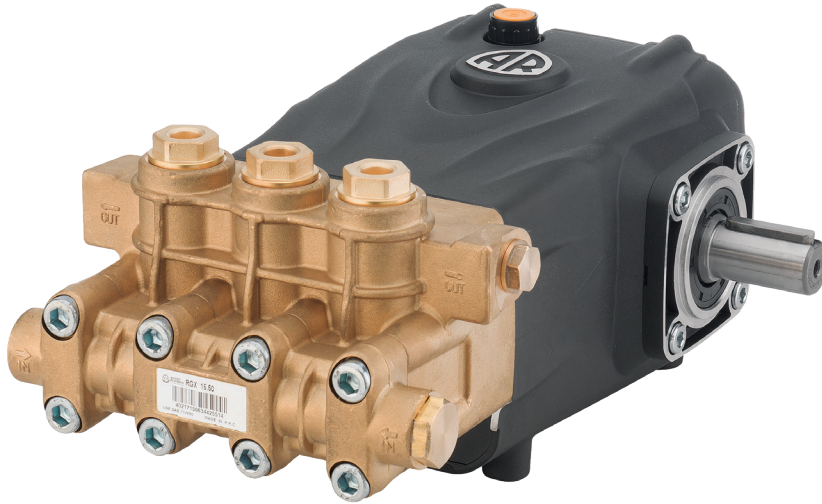
MOD	MAX l/min	MAX gpm	MAX bar	MAX psi	MAX ebhp	MAX rpm	MAX lbs	MAX mm	MAX mm	MAX CRANKSHAFT ID STAMP	MAX LIST PRICE
SXWA 1750rpm N version 24mm Solid Shaft											
SXWA4G50N	15.1	4	345	5000	13.7	1750	35	18	12.2	5	\$1,923.97
SXWA55G50N	20.8	5.5	345	5000	18.9	1750	35	18	17.2	2	\$1,923.97
SXWA7G50N	26.5	7	345	5000	24.0	1750	35	18	21	7	\$1,923.97

SPECIAL PARTS / KITS

MOD	DESCRIPTION	LIST PRICE
AR2748	Rail Kit 1-1/4" (2 rails & 4 bolts)	\$26.67
AR2748H	Rail Kit 2-1/2" (2 rails & 4 bolts)	\$74.62
U-Bracket/Kit	Rail Kit 1-1/2" (2 rails & 4 bolts)	\$76.14
AR394280	Valve O-Ring	\$0.84
AR1941040	Valve Fiber Ring	\$2.81
AR64516	Oil (16 oz)	\$15.80

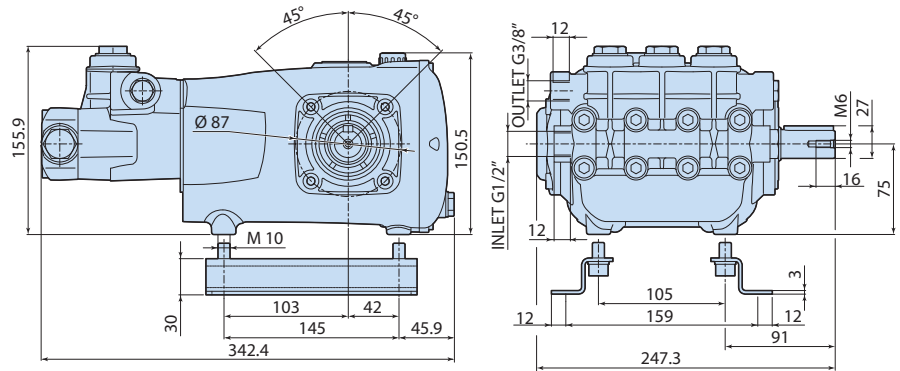
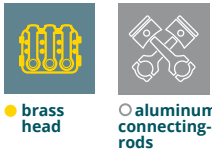
REPAIR KITS

MOD	DESCRIPTION	QTY	LIST PRICE
AR2871	Valves	6	\$194.31
AR2548	Pistons	3	\$261.53
AR2874	Water Seals	3	\$200.96
AR42708	Oil Seals	6	\$298.96
AR42120	Piston Guides	3	\$160.68



Commercial

140° F - Max Water Temp
 1/2" F - Inlet Thread
 3/8" F - Discharge Thread
 31.8 oz - Oil Capacity



N version

MOD	MAX	MAX						BORE DIA	STROKE	CRANKSHAFT ID STAMP	LIST PRICE
	l/min	gpm	bar	psi	ebhp	rpm	lbs	mm	mm		\$
RGX 1450rpm N version 24mm Solid Shaft											
RGX1550N	15	4	500	7250	20.0	1450	35.5	18	15	8	\$1,888.56
RGX2250N	22	5.8	500	7250	29.0	1450	35.5	18	21	21	\$1,888.56

SPECIAL PARTS / KITS

MOD	DESCRIPTION	LIST PRICE
AR2748	Rail Kit 1-1/4" (2 rails & 4 bolts)	\$26.67
AR2748H	Rail Kit 2-1/2" (2 rails & 4 bolts)	\$74.62
AR64516	Oil (16 oz)	\$15.80

REPAIR KITS

MOD	DESCRIPTION	QTY	LIST PRICE
AR43408	Valves	1	\$142.93
AR43409	Pistons	1	\$71.50
AR43410	Water Seals	1	\$108.02
AR2873	Oil Seals	7	\$53.95
AR43411	Piston Guides	3	\$72.02



RGX

SOLID SHAFT PUMP



Commercial

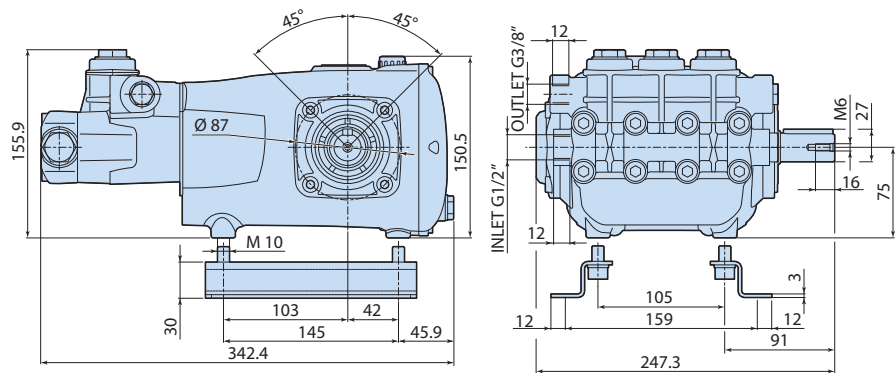
140° F - Max Water Temp
 1/2" - Inlet Thread
 3/8" F - Discharge Thread
 31.8 oz - Oil Capacity



● brass head



○ aluminum connecting rods



N version

MOD	MAX	MAX	F	NET	BORE DIA	STROKE	CRANKSHAFT ID STAMP	LIST PRICE			
	l/min	gpm	bar	psi	ebhp	rpm	lbs	mm	mm		\$

RGXA 1750 rpm N version 24mm Solid Shaft

RGXA4G70HN ● ○ 15 4 480 7000 19.22 1750 35.2 18 12 5 \$1,951.05

SPECIAL PARTS / KITS

MOD	DESCRIPTION	LIST PRICE
AR2748	Rail Kit 1-1/4" (2 rails & 4 bolts)	\$26.67
AR2748H	Rail Kit 2-1/2" (2 rails & 4 bolts)	\$74.62
AR64516	Oil (16 oz)	\$15.80

REPAIR KITS

MOD	DESCRIPTION	QTY	LIST PRICE
AR43408	Valves	1	\$142.93
AR43409	Pistons	1	\$71.50
AR43410	Water Seals	1	\$108.02
AR2873	Oil Seals	7	\$53.95
AR43411	Piston Guides	3	\$72.02



HYDRA-REVERE
RGM 15.50
40217150634425514
USE SAE T51W90

INDUSTRIAL PUMPS

XWP
SHP
SHPA
RTX

RTD
RTP
RTJ
RTF



Pumps for larger applications.

*Solid shaft pumps for pulley driving or
direct coupling to electric motor.*

*Pressures ranging from 1,450-8,700 psi.
Flow Ranging from 4-40 gpm.*



Industrial

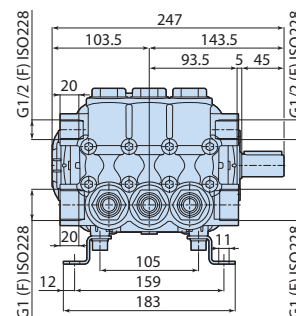
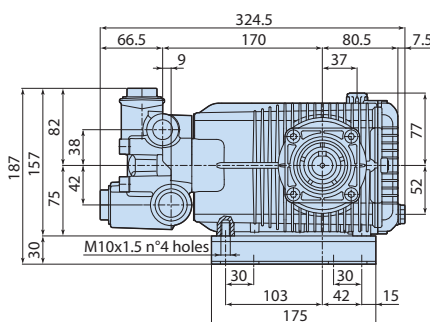
140° F - Max Water Temp
 1" - Inlet Thread
 1/2" - Discharge Thread
 31.8 oz - Oil Capacity



● brass head



○ aluminum connecting rods



N version

MOD	MAX	MAX			BORE DIA	STROKE	CRANKSHAFT ID STAMP	LIST PRICE				
	l/min	gpm	bar	psi	mm	mm		\$				
XWP 1450rpm N version 24mm Solid Shaft												
XWP50.15N	● ○	50	13.2	150	2200	20.0	1450	39	30	16.6	10	\$2,219.05
XWP55.14N	● ○	55	14.5	140	2000	20.0	1450	39	30	18.8	12	\$2,219.05
XWP60.13N	● ○	60	15.9	130	2000	20.7	1450	39	30	19.8	1	\$2,219.05
XWP65.12N	● ○	65	17.2	120	1740	21.0	1450	39	30	21	7	\$2,219.05
XWP70.12N	● ○	70	18.5	120	1740	22.0	1450	39	30	23	15	\$2,219.05

SPECIAL PARTS / KITS

MOD	DESCRIPTION	LIST PRICE
AR2748	Rail Kit 1-1/4" (2 rails & 4 bolts)	\$26.67
AR2748H	Rail Kit 2-1/2" (2 rails & 4 bolts)	\$74.62
U-Bracket/Kit	Rail Kit 1-1/2" (2 rails & 4 bolts)	\$76.14
AR64516	Oil (16 oz)	\$15.80

REPAIR KITS

MOD	DESCRIPTION	QTY	LIST PRICE
AR42835	Valves	6	\$217.28
AR43444	Pistons	3	\$389.36
AR43446	Water Seals	3	\$241.93
AR43445	Oil Seals	6	\$73.51



SHP

SOLID SHAFT PUMP



Industrial

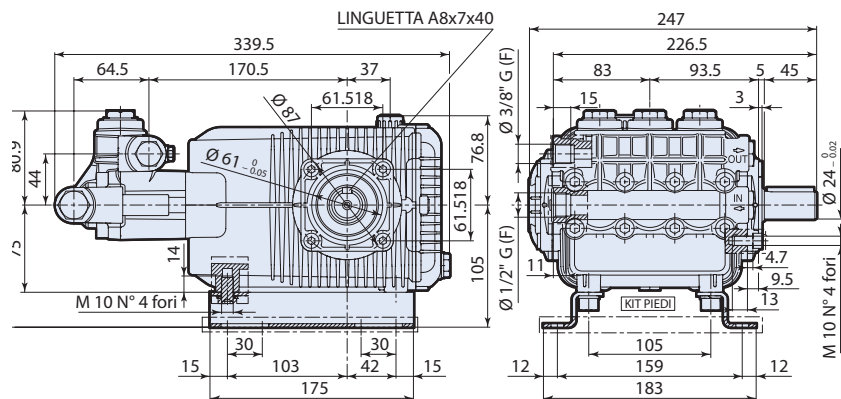
140° F - Max Water Temp
 1/2" F - Inlet Thread
 3/8" F - Discharge Thread
 32 oz - Oil Capacity



● nickel plated brass head



○ aluminum connecting rods



N version

MOD	MAX	MAX			BORE DIA	STROKE	CRANKSHAFT ID STAMP	LIST PRICE
	l/min	gpm	bar	psi	mm	mm		\$

SHP 1450rpm N version 24mm Solid Shaft

SHP1550HN	● ○	15	3.96	500	7250	20.0	1450	29	18	15	8	\$2,573.16
SHP2050HN	○ ○	20	5.3	500	7250	26.4	1450	29	18	18.8	12	\$2,573.16
SHP2250HN	● ○	22	5.8	500	7250	28.9	1450	29	18	21	7	\$2,573.16

SPECIAL PARTS / KITS

MOD	DESCRIPTION	LIST PRICE
AR2748	Rail Kit 1-1/4" (2 rails & 4 bolts)	\$26.67
AR2748H	Rail Kit 2-1/2" (2 rails & 4 bolts)	\$74.62
U-Bracket/Kit	Rail Kit 1-1/2" (2 rails & 4 bolts)	\$76.14
AR64516	Oil (16 oz)	\$15.80

REPAIR KITS

MOD	DESCRIPTION	QTY	LIST PRICE
AR2185	Valves	6	\$257.95
AR2548	Pistons	3	\$261.53
AR2874	Water Seals	3	\$200.96
AR2873	Oil Seals	6	\$53.95
AR42120	Piston Guides	3	\$160.68



Industrial

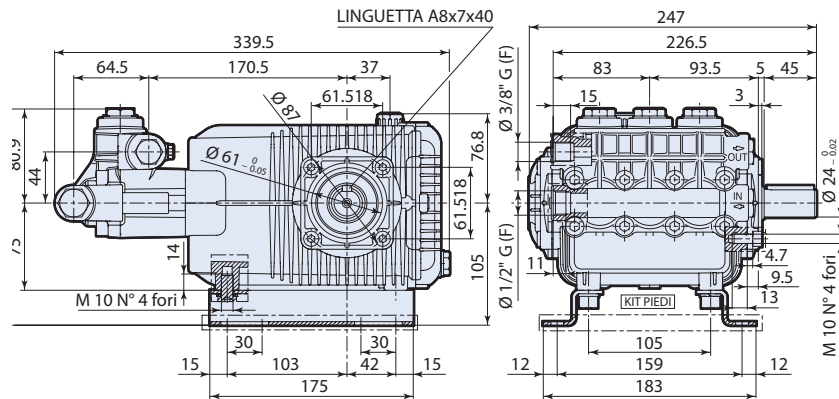
140° F - Max Water Temp
 1/2" F - Inlet Thread
 3/8" F - Discharge Thread
 32 oz - Oil Capacity



● nickel plated brass head



○ aluminum connecting rods



N version

MOD	MAX	MAX				NET	BORE DIA	STROKE	CRANKSHAFT ID STAMP	LIST PRICE	
	l/min	gpm	bar	psi	ebhp	rpm	lbs	mm	mm	\$	
SHPA 1750rpm N version 24mm Solid Shaft											
SHPA4G70HN ● ○	15.1	4	500	7250	20.0	1750	29	18	12.2	5	\$2,573.16

SPECIAL PARTS / KITS

MOD	DESCRIPTION	LIST PRICE
AR2748	Rail Kit 1-1/4" (2 rails & 4 bolts)	\$26.67
AR2748H	Rail Kit 2-1/2" (2 rails & 4 bolts)	\$74.62
U-Bracket/Kit	Rail Kit 1-1/2" (2 rails & 4 bolts)	\$76.14
AR64516	Oil (16 oz)	\$15.80

REPAIR KITS

MOD	DESCRIPTION	QTY	LIST PRICE
AR2185	Valves	6	\$257.95
AR2548	Pistons	3	\$261.53
AR2874	Water Seals	3	\$200.96
AR2873	Oil Seals	6	\$53.95
AR42120	Piston Guides	3	\$160.68

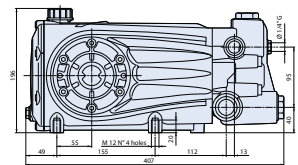
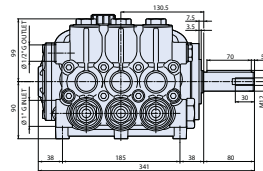


RTX

SOLID SHAFT PUMP

Industrial

140° F - Max Water Temp
 1" F - Inlet Thread
 1/2" F - Discharge Thread
 76 oz - Oil Capacity



- nickel plated brass head
- aluminum connecting rods
- bronze connecting rods

N version

MOD					BORE DIA	STROKE	CRANKSHAFT ID STAMP	LIST PRICE
	MAX	MAX		NET				
	l/min	gpm	bar	psi	ebhp	rpm	lbs	mm
RTX 1450rpm N version 30 x 80mm Solid Shaft								
RTX30	● ○	30.3	8.0	300	4350	23.9	1450	72
RTX50	○ ○	45.4	12.0	300	4350	35.8	1450	72
RTX60	● ○	53.0	14.0	300	4350	41.8	1450	72
RTX70	○ ○	64.4	17.0	200	3000	33.8	1450	72
RTX85	● ○	85.0	21.0	200	2200	31.7	1450	72
RTX-HW85.150N *	○ ○	85.0	21.0	200	2200	31.7	1450	72
RTX100	● ○	90.8	24.0	124	1800	29.8	1450	72
RTX150.100N	○ ○	150	39.6	100	1500	36.2	1450	72

*HW = Includes Hot Water Kit

SPECIAL PARTS / KITS

MOD	DESCRIPTION	LIST PRICE
U-Bracket/RTX/Kit	Rail Kit 3" (2 rails & 4 bolts)	\$268.21
AR770130	Valve Seat O-Ring	\$0.78
AR2821330	Valve Seat Back-up Ring	\$11.97
AR645107	Oil (SAE30) (1.07 gal)	\$183.60

REPAIR KITS

MOD	DESCRIPTION	QTY	LIST PRICE
AR43555	Hot Water Seal ø 30	3	\$2,171.67
AR43556	Hot Water Seal ø 36	3	\$1,972.70
AR42835	Valves	6	\$217.28
AR43762	Valves ø 40	6	\$218.01
AR42836	Pistons ø 20	3	\$361.97
AR42837	Pistons ø 25	3	\$405.43
AR42838	Pistons ø 30	3	\$409.65

REPAIR KITS (CONTINUED)

MOD	DESCRIPTION	QTY	LIST PRICE
AR42839	Pistons ø 36	3	\$421.69
AR46096	Pistons ø 40	3	\$459.52
AR42840	Oil Seals	7	\$75.31
AR42841	Water Seals ø 20	3	\$289.11
AR42842	Water Seals ø 25	3	\$303.57
AR42843	Water Seals ø 30	3	\$315.96
AR42844	Water Seals ø 36	3	\$325.94
AR46097	Water Seals ø 40	3	\$349.69
AR42851	Piston Guides ø 20	3	\$148.64
AR42852	Piston Guides ø 25	3	\$134.18
AR42853	Piston Guides ø 30	3	\$135.52
AR42854	Piston Guides ø 36	3	\$131.17
AR46098	Piston Guides ø 40	3	\$147.26



Industrial

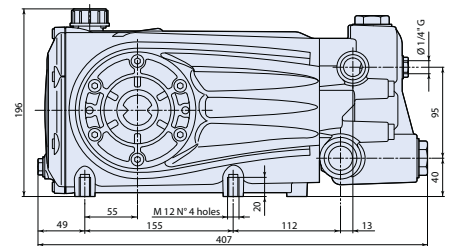
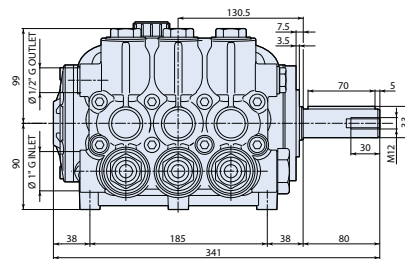
140° F - Max Water Temp
 3/4" F - Inlet Thread
 3/8" F - Discharge Thread
 76 oz - Oil Capacity



● nickel plated brass head



○ bronze connecting rods



N version

MOD	MAX	MAX		NET	BORE DIA	STROKE	CRANKSHAFT ID STAMP	LIST PRICE
	l/min gpm	bar psi	ebhp rpm	lbs	mm	mm		\$

RTX 1450rpm N version 30 x 80mm Solid Shaft

RTX30.500 ● ○ 30.3 8.0 500 7250 39.8 1450 72 20 23 3 \$4,780.42

SPECIAL PARTS / KITS

MOD	DESCRIPTION	LIST PRICE
U-Bracket/Kit	Rail Kit 3" (2 rails & 4 bolts)	\$76.14
AR770130	Valve Seat O-Ring	\$0.78
AR2821330	Valve Seat Back-up Ring	\$11.97
AR645107	Oil (SAE30) (1.07 gal)	\$183.60

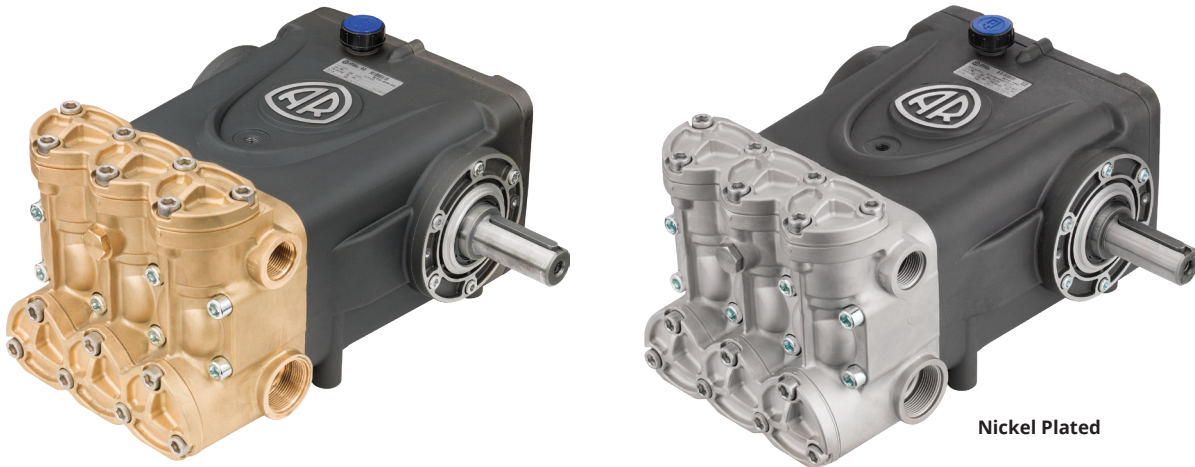
REPAIR KITS

MOD	DESCRIPTION	QTY	LIST PRICE
AR42835	Valves	6	\$217.28
AR42836	Pistons Ø 20	3	\$361.97
AR42841	Water Seals Ø 20	3	\$289.11
AR42840	Oil Seals	7	\$75.31
AR42851	Piston Guides Ø 20	3	\$148.64



RTD

SOLID SHAFT PUMP



Nickel Plated

Industrial

140° F - Max Water Temp
 1 1/2" - Inlet Thread
 1" - Discharge Thread
 110 oz - Oil Capacity



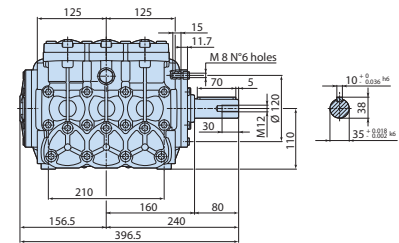
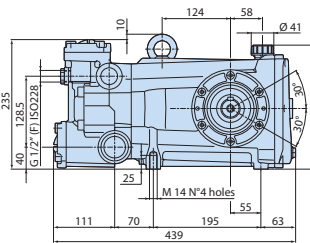
● brass head



● nickel plated brass head



○ bronze connecting rods



N version

MOD	MAX	MAX	MAX	MAX	MAX	NET	BORE DIA	STROKE	CRANKSHAFT ID STAMP	LIST PRICE		
	l/min	gpm	bar	psi	ebhp	rpm	lbs	mm	mm	\$		
RTD 1000rpm N version 35mm Solid Shaft												
RTD80-300	● ○	79.5	21.0	300	4350	65.0	1000	128	32	42	4	\$7,400.79
RTD100-200	● ○	94.6	25.0	200	3000	49.8	1000	128	32	42	3	\$7,400.79
RTD100-200SX	● ○	94.6	25.0	200	3000	49.8	1000	128	32	42	3	\$7,400.79
RTD130-160	● ○	121.1	32.0	160	2300	50.5	1000	128	36	42	3	\$7,400.79
RTD130-200H	● ○	115.0	34.5	200	3000	68.0	1000	128	36	42	3	\$7,731.28
RTD160-130	● ○	151.4	40.0	130	2000	54.8	1000	128	40	42	3	\$7,400.79
RTD200-80	● ○	200	52.8	80	1200	43.4	1000	128	44	48	1	\$7,400.78

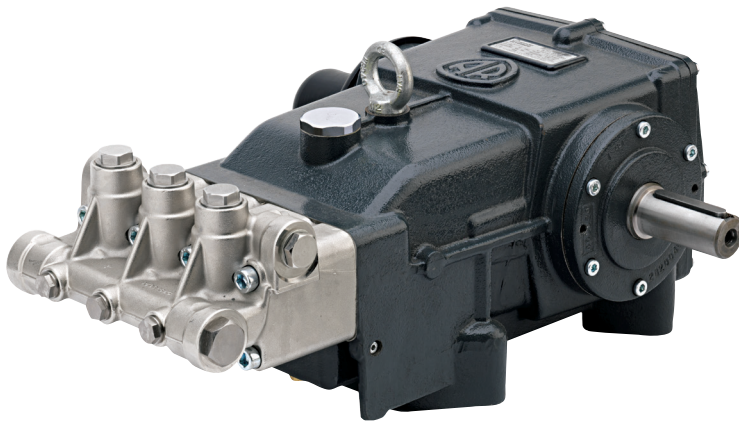
SX - 180° Rotated Shaft

SPECIAL PARTS / KITS

MOD	DESCRIPTION	LIST PRICE
AR46108	Plug Kit (Inlet/Outlet)	\$141.43
BRACKET-RTD	Rail Kit 3.576"	\$144.39
AR645107	Oil (SAE30) (1.07 gal)	\$183.60
AR43627	Piston Guide Kit ø 36	\$644.91
AR43628	Piston Guide Kit ø 40	\$644.91

REPAIR KITS (CONTINUED)

MOD	DESCRIPTION	QTY	LIST PRICE
AR43614	Valves	6	\$501.42
AR43623	Pistons ø 36	3	\$424.79
AR43624	Pistons ø 40	3	\$472.38
AR43797	Pistons ø 32	3	\$538.00
AR43625	Water Seals ø 36	3	\$395.50
AR43626	Water Seals ø 40	3	\$451.66
AR43798	Water Seals ø 32	3	\$559.28
AR43799	Piston Guides ø 32	1	\$457.60
AR43616	Oil Seals	6	\$119.98
AR46108	Inlet/Outlet Plug Kit	1	\$141.43



Industrial

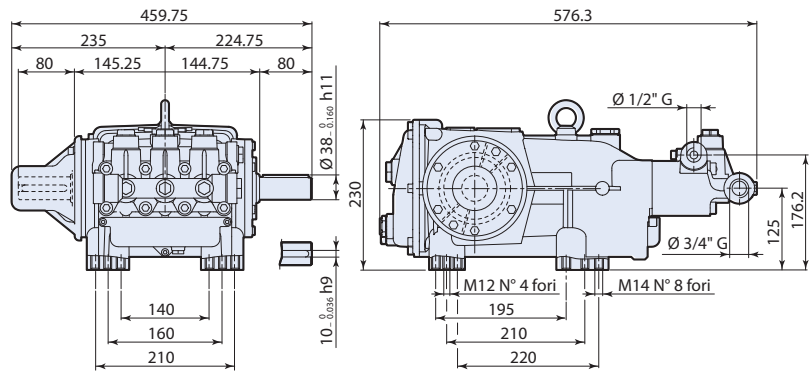
140° F - Max Water Temp
 3/4" F - Inlet Thread
 1/2" F - Discharge Thread
 137 oz - Oil Capacity



● nickel plated brass head



○ bronze connecting rods



N version

MOD	MAX	MAX		NET	BORE DIA	STROKE	CRANKSHAFT ID STAMP	LIST PRICE
	l/min	gpm	bar	psi	ebhp	rpm	lbs	mm

RTP 1000rpm N version 35mm Solid Shaft

RTP30N	● ○	30	7.9	500	7250	39.3	1000	177	20	34	2	\$10,233.63
RTP38N	○ ○	38	10	500	7250	49.8	1000	177	20	42	1	\$10,233.63
RTP30.60N	● ○	30	7.9	600	8700	47.2	1000	177	20	34	2	\$10,233.63

SPECIAL PARTS / KITS

MOD	DESCRIPTION	LIST PRICE
AR880830	Valve Seat O-Ring	\$1.67
AR2820270	Valve Seat Back-up Ring	\$6.08
BRACKET-RTP/RTF/RTJ	Rail Kit 2"	\$139.14
AR645107	Oil (SAE30) (1.07 gal)	\$183.60

REPAIR KITS

MOD	DESCRIPTION	QTY	LIST PRICE
AR42156	Valves	6	\$284.92
AR42157	Pistons	3	\$1,785.46
AR42159	Water Seals	3	\$864.09
AR42158	Oil Seals	8	\$312.51
AR42160	Piston Guides RTP 30/38	3	\$454.45
AR42558	Piston Guides RTP 30.60	3	\$454.45



RTJ

SOLID SHAFT PUMP



Industrial

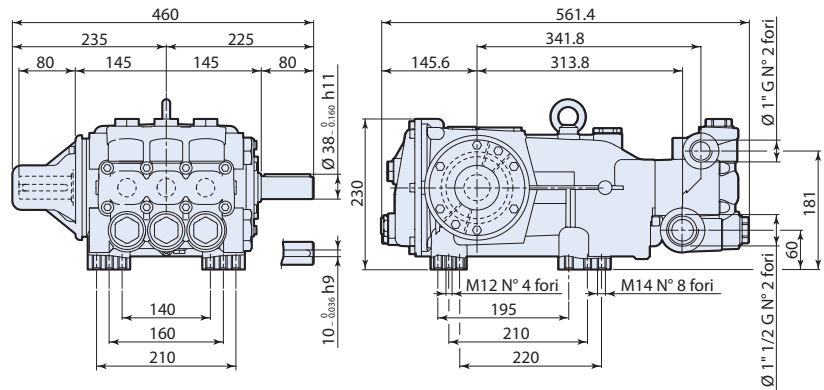
140° F - Max Water Temp
 1-1/2" F - Inlet Thread
 1" F - Discharge Thread
 137 oz - Oil Capacity



nickel plated brass head



bronze connecting rods



N version

MOD	MAX	MAX			BORE DIA	STROKE	CRANKSHAFT ID STAMP	LIST PRICE				
	l/min	gpm	bar	psi	ebhp	rpm	lbs	mm	mm		\$	
RTJ 1000rpm N version 35mm Solid Shaft												
RTJ70N	● ○	70	18.5	275	4000	50.8	1000	198	25	48	3	\$10,953.64

SPECIAL PARTS / KITS

MOD	DESCRIPTION	LIST PRICE
AR770130	Valve Seat O-Ring	\$0.78
AR2821330	Valve Seat Back-up Ring	\$11.97
BRACKET-RTP/RTF/RTJ	Rail Kit 2"	\$139.14
AR645107	Oil (SAE30) (1.07 gal)	\$183.60

REPAIR KITS

MOD	DESCRIPTION	QTY	LIST PRICE
AR42427	Valves	6	\$617.82
AR42559	Pistons	3	\$1,894.55
AR42428	Water Seals	3	\$683.57
AR42560	Oil Seals	8	\$269.76
AR42429	Piston Guides	3	\$449.20



Industrial

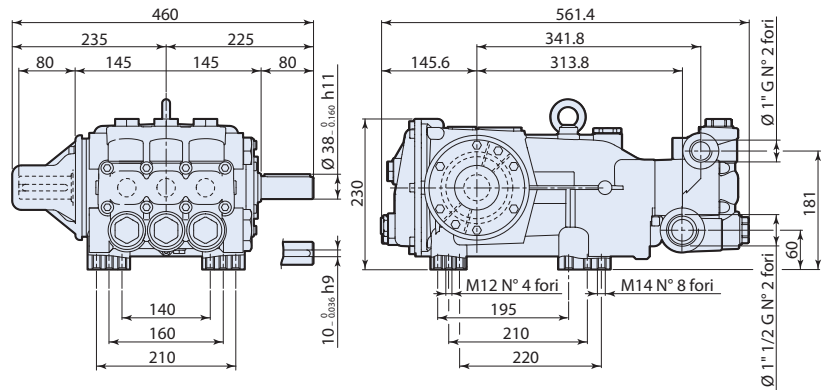
140° F - Max Water Temp
 1-1/2" F - Inlet Thread
 1" F - Discharge Thread
 137 oz - Oil Capacity



nickel plated brass head



bronze connecting rods



N version

MOD	MAX	MAX						BORE DIA	STROKE	CRANKSHAFT ID STAMP	LIST PRICE	
	l/min	gpm	bar	psi	ebhp	rpm	lbs	mm	mm		\$	
RTF 800rpm N version 35mm Solid Shaft												
RTF135N	● ○	135	36	103	1500	37.1	800	192	40	48	3	\$10,469.70
RTF150.100N	○ ○	150	40	103	1500	41.2	800	192	40	52	4	\$10,469.70

SPECIAL PARTS / KITS

MOD	DESCRIPTION	LIST PRICE
AR550040	Valve Seat O-Ring	\$1.59
AR2820560	Valve Seat Back-up Ring	\$8.96
BRACKET-RTP/RTF/RTJ	Rail Kit 2"	\$139.14
AR645107	Oil (SAE30) (1.07 gal)	\$183.60

REPAIR KITS

MOD	DESCRIPTION	QTY	LIST PRICE
AR42307	Valves	6	\$620.52
AR42308	Pistons	3	\$1,918.91
AR42310	Water Seals	3	\$805.58
AR42309	Oil Seals	8	\$312.51
AR42311	Piston Guides	3	\$917.79

HYDRAULIC PUMPS

RK
XM
XW
HYDRAULIC DRIVE UNITS
HYDRAULIC MOTORS
HYDRAULIC BASE KITS



Hydraulic motor directly mounted to pump.

Extremely compact.

Great to use with pre-existing hydraulic systems.

Great application on truck and tractors with hydraulic systems.

No need for additional gas engine or electric motor.

RK - Hydraulic Drive



Hydraulic

Hydraulic Drive Pump with Mounting Rails and Hydraulic Motor

Motor - Sauer Danfoss

Inlet and Outlet SAE-12
Casedrain SAE-6

Pump -

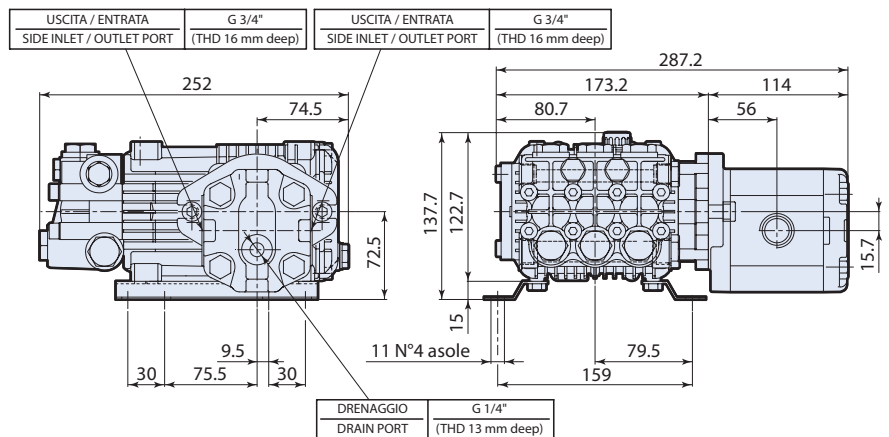
1/2" F Inlet and 3/8" F Outlet



● brass head



○ aluminum connecting-rods



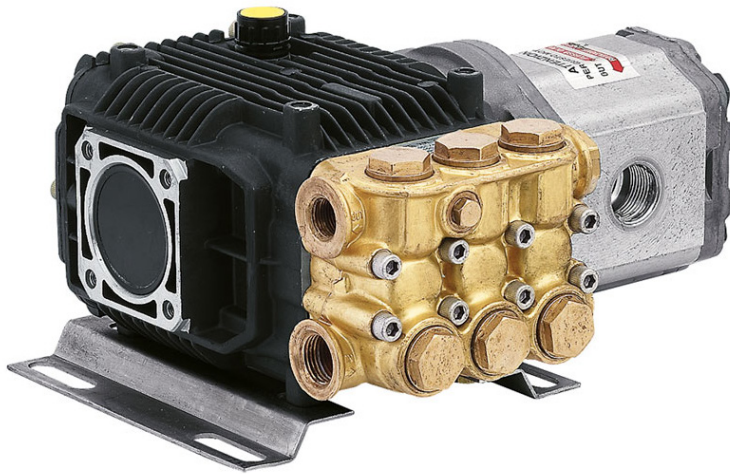
MOD	PUMP				MOTOR				LIST PRICE	
	MAX	MAX	MAX	MAX	MAX	MAX	MAX	MAX		
	l/min	gpm	bar	psi	l/min	gpm	bar	psi	\$	
RK 1450rpm										
HYD-RK1520	● ○	15.1	4	206	3000	29	7.5	175	2500	\$1,982.99
HYD-RK2115	● ○	21	5.5	150	2200	29	7.7	178	2500	\$1,982.99

SPECIAL PARTS / KITS

MOD	DESCRIPTION	LIST PRICE
AR26472	Pump: HYD RK15.20 NPT Pump Only	\$927.03
AR4769	Motor/Hydraulic (RK/XM)	\$870.08
AR42167	Oil Seal Kit Hydraulic Motor	\$232.20



XM - Hydraulic Drive



Hydraulic

Hydraulic Drive Pump with Mounting Rails and Hydraulic Motor

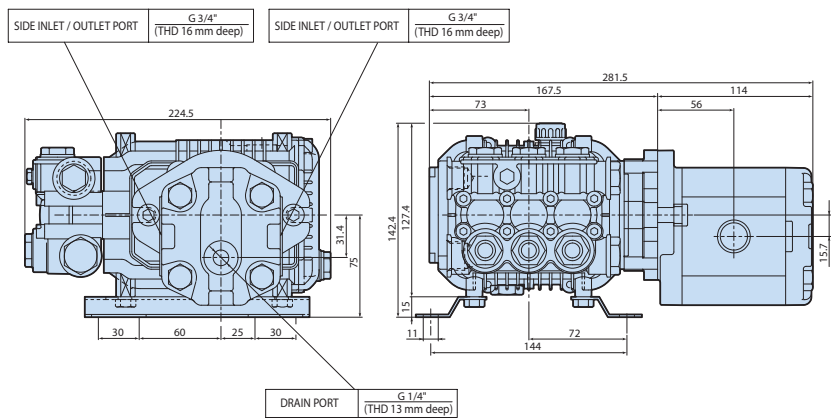
Motor - Sauer Danfoss
3/4" Inlet and Outlet
Pump -
1/2" F Inlet and 3/8" F Outlet



● brass head

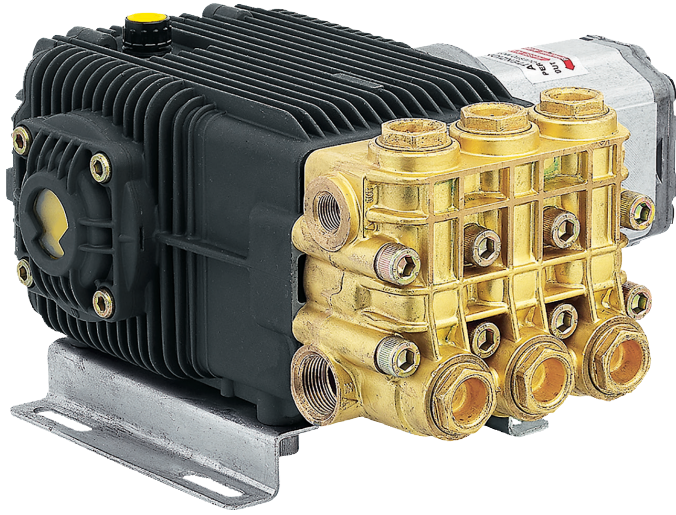


○ aluminum connecting rods



MOD	PUMP				MOTOR				LIST PRICE	
	l/min	gpm	bar	psi	l/min	gpm	bar	psi		\$
XM 1450rpm										
HYD-XM1515 ● ○	15	4	206	3000	36	9.5	180	2610	\$1,539.18	

XW - Hydraulic Drive



Hydraulic

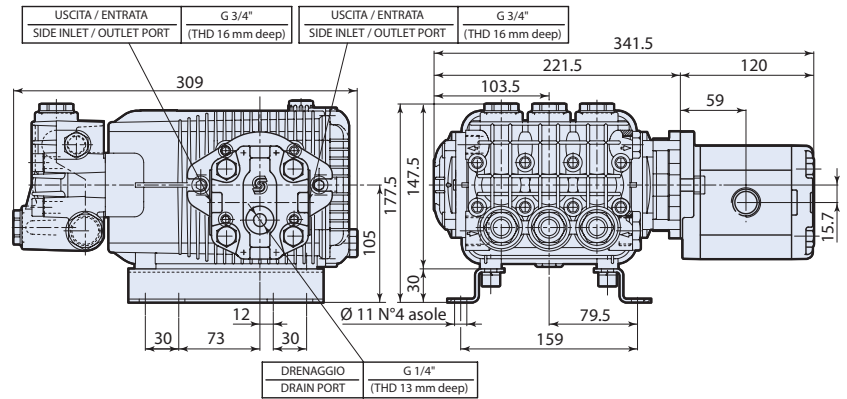
Hydraulic Drive Pump with Mounting Rails and Hydraulic Motor

Motor - Sauer Danfoss

3/4" Inlet and Outlet

Pump -

3/4" F Inlet and 3/8" F Outlet



● brass head



○ aluminum connecting rods

MOD	PUMP				MOTOR				LIST PRICE	
	l/min	gpm	bar	psi	l/min	gpm	bar	psi		\$
XW 1450rpm										
HYD-XW3010	● ○	30.2	8	150	2200	36	9.5	180	2610	\$2,714.80
HYD-XWL50.09	● ○	50	13.2	90	1300	36	9.5	180	2610	\$2,714.80

SPECIAL PARTS / KITS

MOD	DESCRIPTION	LIST PRICE
AR21601	HYD-XW30.10 Pump and Flange	\$2,352.83
AR4770	HYD-XW30.10 Hydraulic Motor	\$1,770.53



RTX - Hydraulic Drive



Hydraulic

Hydraulic Drive Pump with Flange, Mounting Rails and Hydraulic Motor

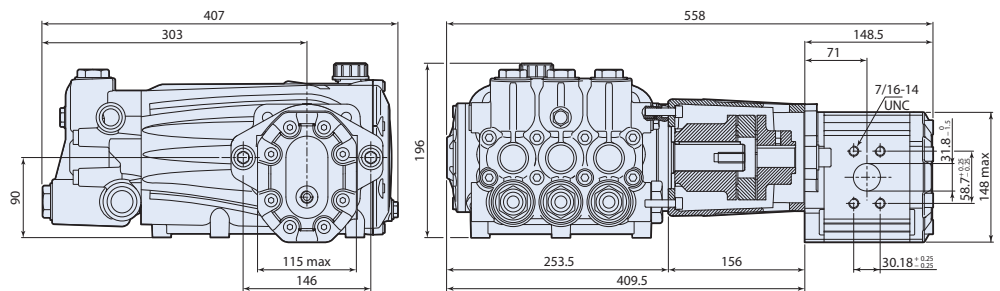
Motor - Sauer Danfoss
SAE Code 61 (-20) 1-1/4"
Casedrain SAE-6



● nickel plated brass head



○ aluminum connecting rods



MOD	INLET	OUTLET	PUMP				MOTOR				LIST PRICE	
			MAX	MAX	MAX	MAX	MAX	MAX	MAX	MAX		
	in	in	l/min	gpm	bar	psi	l/min	gpm	bar	psi	\$	
RTX 1450rpm Hydraulic Gear Motor 44c (2.69 cu.in.) - F50 Flange												
HYD-RTX30	● ○	1"	1 1/2"	30.3	8.0	300	4350	70	18.5	150	2175	\$6,196.83
HYD-RTX50	○ ○	1"	1 1/2"	45.4	12.0	200	2900	70	18.5	160	2320	\$6,196.83
HYD-RTX70	● ○	1"	1 1/2"	64.4	17.0	180	2200	70	18.5	180	2610	\$6,196.83
HYD-RTX85	○ ○	1"	1 1/2"	85.0	21.0	150	2200	70	18.5	225	3265	\$6,846.68
HYD-RTX100	● ○	1"	1 1/2"	90.8	24.0	120	1740	70	18.5	210	3046	\$6,846.68

RTX - Hydraulic Drive



Hydraulic

Hydraulic Drive Pump with Flange, Mounting Rails and Hydraulic Motor

Motor - Sauer Danfoss
SAE Code 61 (-20) 1-1/4"
Casedrain SAE-6



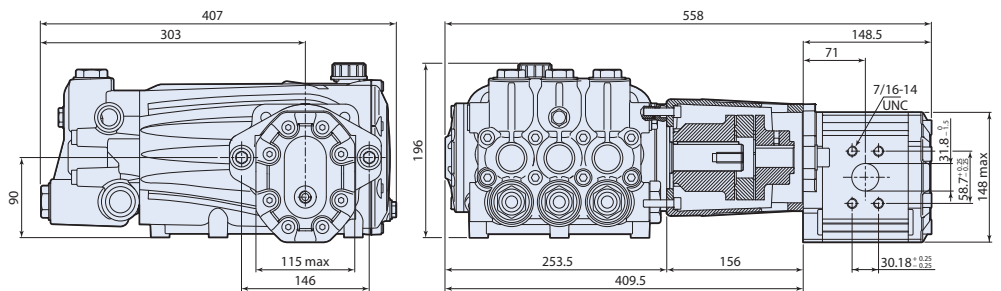
● nickel plated brass head



○ aluminum connecting rods



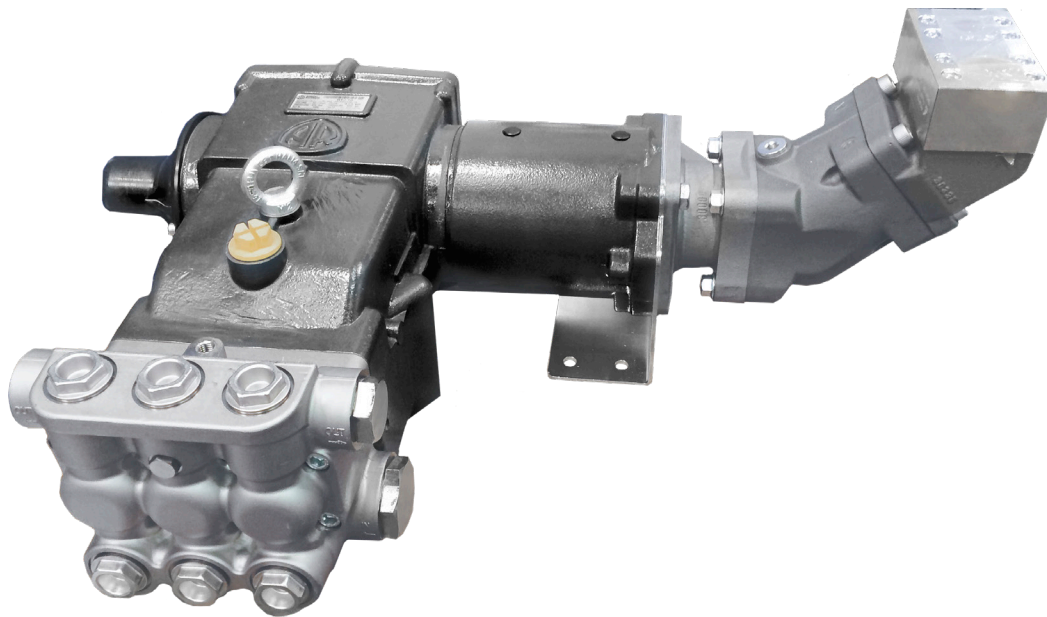
○ bronze connecting rods



MOD	INLET	OUTLET	PUMP				MOTOR				LIST PRICE
			MAX	MAX	MAX	MAX	MAX	MAX	MAX	MAX	
	in	in	l/min	gpm	bar	psi	l/min	gpm	bar	psi	\$
RTX 1450rpm Hydraulic Gear Motor 90c (5.49 cu.in.) - F54 Flange											
HYD-RTX30.500P ●○	1"	1 1/2"	30	7.9	500	7250	737	36	135	1960	\$8,321.46
HYD-RTX50.300P ○○	1"	1 1/2"	50	12.0	300	4350	137	36	135	1960	\$7,377.18
HYD-RTX60.300P ●○	1"	1 1/2"	60	14.0	300	4350	137	36	155	2250	\$7,377.18
HYD-RTX150.100P ○○	1"	1 1/2"	150	39.5	100	1450	137	36	125	1825	\$7,377.18



RT - Hydraulic Drive



Hydraulic

Hydraulic Drive Pump with F50 Flange, Mounting Rails and Hydraulic Motor

Motor - Sauer Danfoss
3/4" Inlet and Outlet
Pump
1" F Inlet and 1/2" F Outlet



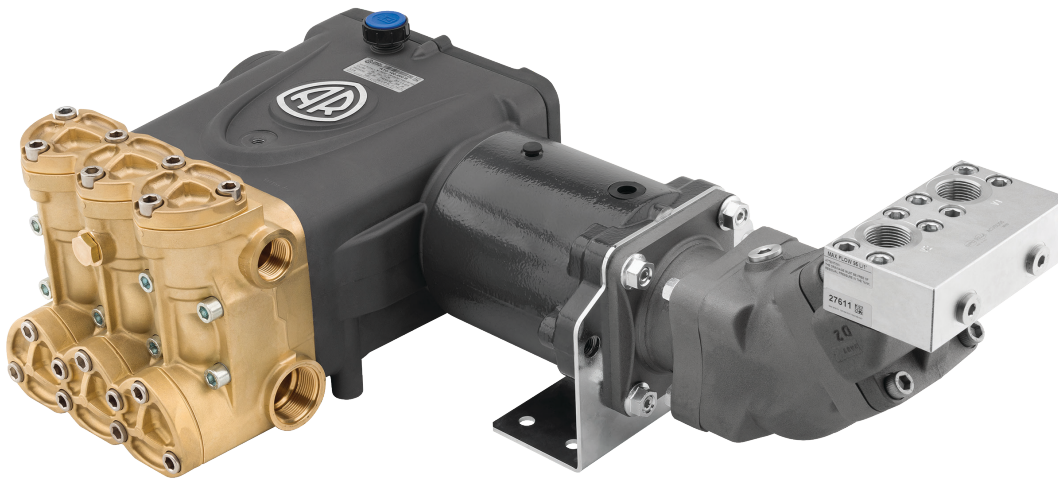
● nickel plated brass head



○ bronze connecting rods

MOD	INLET	OUTLET	PUMP				MOTOR				LIST PRICE
			MAX	MAX	MAX	MAX	MAX	MAX	MAX	MAX	
	in	in	l/min	gpm	bar	psi	l/min	gpm	bar	psi	\$
RTP 1000rpm											
HYD-RTP30N	● ○ 3/4"	1/2"	30	7.9	500	7250	88	23.5	230	3335	\$19,381.33
HYD-RTP38N	○ ○ 3/4"	1/2"	38	10	500	7250	88	23.5	280	4060	\$19,381.33
HYD-RTP30.60N	● ○ 3/4"	1/2"	30	7.9	600	8700	88	23.5	265	3842	\$19,381.33
RTF 800rpm											
HYD-RTF135N	● ○ 1 1/2"	1"	135	36	103	1500	70.5	18.6	245	3555	\$20,101.35
HYD-RTF150N	○ ○ 1 1/2"	1"	150	40	103	1500	70.5	18.6	275	3990	\$20,106.07
RTJ 1000rpm											
HYD-RTJ70	● ○ 1 1/2"	1"	70	18.5	275	4000	88	23.5	280	4060	\$20,101.35

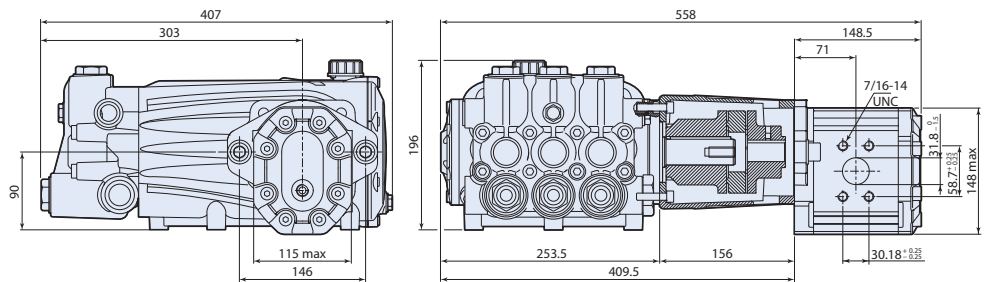
RTD - Hydraulic Drive





Hydraulic

Hydraulic Drive Pump with F55 Flange, Mounting Rails and Hydraulic Motor

Motor - Piston Motor
1-1/16" - 12 UNF - Inlet/Outlet



-  brass head
-  bronze connecting-rods

MOD	INLET	OUTLET	PUMP				MOTOR				LIST PRICE
			MAX	MAX	MAX	MAX	MAX	MAX	MAX	MAX	
	in	in	l/min	gpm	bar	psi	l/min	gpm	bar	psi	\$
RTD 1000rpm											
HYD-RTD100.200	● ○ 1 1/2"	1"	94.6	25.0	200	2900	95	25	241	3500	\$14,376.65
HYD-RTD130.160	● ○ 1 1/2"	1"	121.1	32.0	159	2300	95	25	260	3770	\$14,376.65
HYD-RTD160.130	● ○ 1 1/2"	1"	151.4	40.0	128	1850	95	25	260	3770	\$14,376.65



Hydraulic Motors

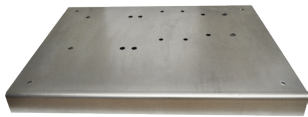


Hydraulic

Hydraulic Drive Pump with F55 Flange, Mounting Rails and Hydraulic Motor

MOD	C.I.D	RATED GPM @ 1500 RPM	MAX RPM	RATED GPM @ MAX RPM	PEAK	CONT	INT	CASE DRAIN 1/4" SAE O-RING PORT	SHAFT Ø	PORT Ø	PORT	LIST PRICE
	cc's	gpm	rpm	gpm	psi	psi	psi		mm		sae	\$
Hydraulic Motors												
HYDM083	0.50 (8.3)	3.10	4000	8.80	3915	3480	3500	6	5/8"	1-1/16-12UNF	12	\$1,026.91
HYDM116M	0.70 (11.5)	4.33	4000	12.12	3625	3190	3335	6	5/8"	1-1/16-12UNF	12	\$861.66
HYDM180M	1.09 (17.9)	6.73	2500	11.82	3260	2900	3045	6	5/8"	1-1/16-12UNF	12	\$885.26
HYDM282M	1.72 (28.2)	10.50	1800	13.40	3118	2755	2900	6	5/8"	1-1/16-12UNF	12	\$1,321.99
HYDM329M	2.04 (33.4)	12.68	3300	29.14	3625	3190	3335	6	7/8"	1-5/16-12UN	16	\$1,569.86
HYDM390M	2.38 (39)	14.79	3000	30.77	3480	3045	3190	6	7/8"	1-5/16-12UN	16	\$1,605.28
HYDM433M	4.33 (71)	26.68	2500	46.96	3118	2755	2900	6	7/8"	SAE Code 61	20	\$2,219.05
AR4769	1.17 (19.2)	7.7	3500	17.74	2600	1450	-	6	5/8"	1-1/16-12UNF	12	\$870.08
AR4770	1.39 (22.8)	9.5	3500	21.00	2900	2600	-	6	5/8"	1-1/16-12UNF	12	\$1,770.53

Hydraulic Accessories



HYDB18 - HYDB19

- Zinc Plated
- 10.9 Gauge
- Hole punched for rubber feet



HYDB20

- Painted Zinc Plated
- 10.9 Gauge
- Hole punched for rubber feet

BASE PLATES

MOD	DESCRIPTION	LIST PRICE
HYDB18	L18 x W12 x H1-5/8	\$278.57
HYDB19	L19 x W14 x H1-5/8	\$214.35
HYDB20	Base Plate	\$142.12

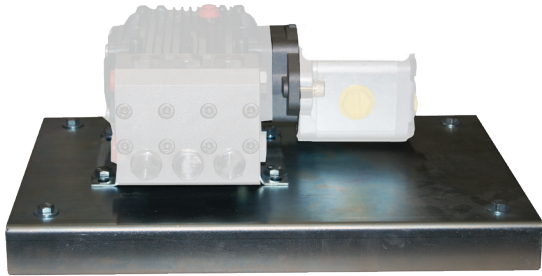


AR8367542

RUBBER FEET

MOD	DESCRIPTION	LIST PRICE
AR8367542	Rubber Feet	\$7.20

Hydraulic Base Kits



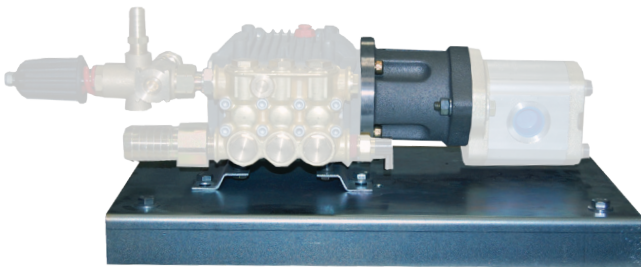
HYDBK1

HYDBK1

MOD	DESCRIPTION	LIST PRICE
HYDBK1	Hydraulic Base Kit	\$325.07

Compatible with Hydraulic Motors: HYDM116M, HYDM083, HYDM180M, HYDM320, AR4769, AR4770

- 12" x 18" x 1-5/8"
- Zinc Plated 10 Gauge Steel - Rubber Feet
- Pre-drilled for XT, XM, RK, RC & XW series pumps with standard mounting rails
- Closed couple hydraulic motor flange and spacers (if REQ for 5/8" hollow shaft (RC, XT & XM series))
- Misc. hardware
- Pump, motor and accessories sold separately.



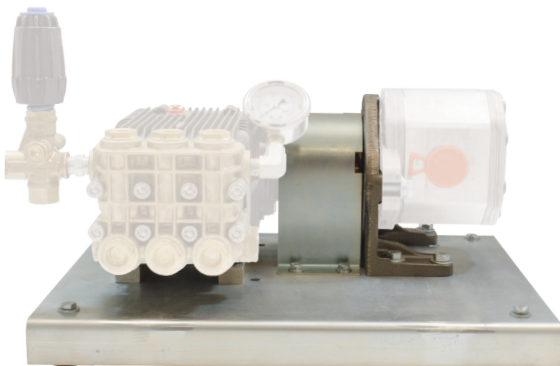
HYDBK2

HYDBK2

MOD	DESCRIPTION	LIST PRICE
HYDBK2	Hydraulic Base Kit	\$788.59

Compatible with Hydraulic Motors: HYD116M, HYDM083, HYDM180M, AR4769 or AR4770

- 12" x 18" x 1-5/8"
- Zinc Plated 10 Gauge Steel - Rubber Feet
- Pre-drilled for XM, RK & XW series pumps with standard mounting rails
- Flange Mount w/L095 flex coupler (XM & RK "NL" shaft only)
- Misc. hardware
- Pump, motor and accessories sold separately.



HYDBK4

HYDBK4

MOD	DESCRIPTION	LIST PRICE
HYDBK4	Hydraulic Base Kit	\$878.88

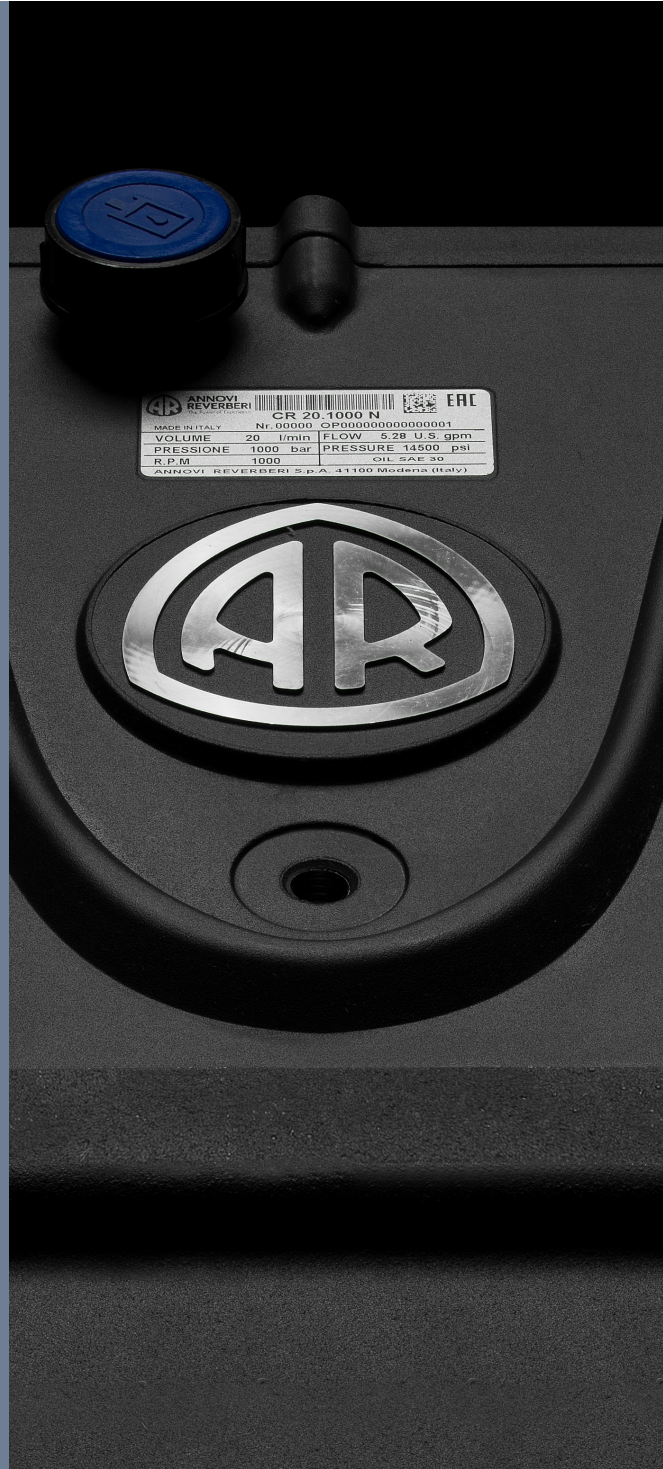
Compatible with Hydraulic Motors: HYDM329M, HYDM390M or HYDM433M

- 14" x 19" x 1-5/8"
- Zinc Plated 10 Gauge Steel with 2 welded rib supports - Rubber Feet
- L100 flex drive coupler
- Cast iron hydraulic motor mount
- Pre-drilled for XW & SXW series pumps
- Misc. hardware
- Pump, motor and accessories sold separately.

STAINLESS STEEL

CR SERIES Stainless Steel pump up to 14,500 psi.

- *High resistance forged alloy steel* crankshaft.
- *Low friction Bronze* connecting rods.
- Crankcase and covers in *anodised die-cast aluminium alloy*.
- *Lateral and back side* oil sight glass.
- *Splash lubrication*.
- *Tungsten carbide* plungers.
- *Double* gasket sealing system.
- *Cooling system for the high pressure seals* for a longer life.
- Pump head in high *resistance stainless steel*.
- *Inox* suctions/delivery valves with geometry designed to *reduce wear*.

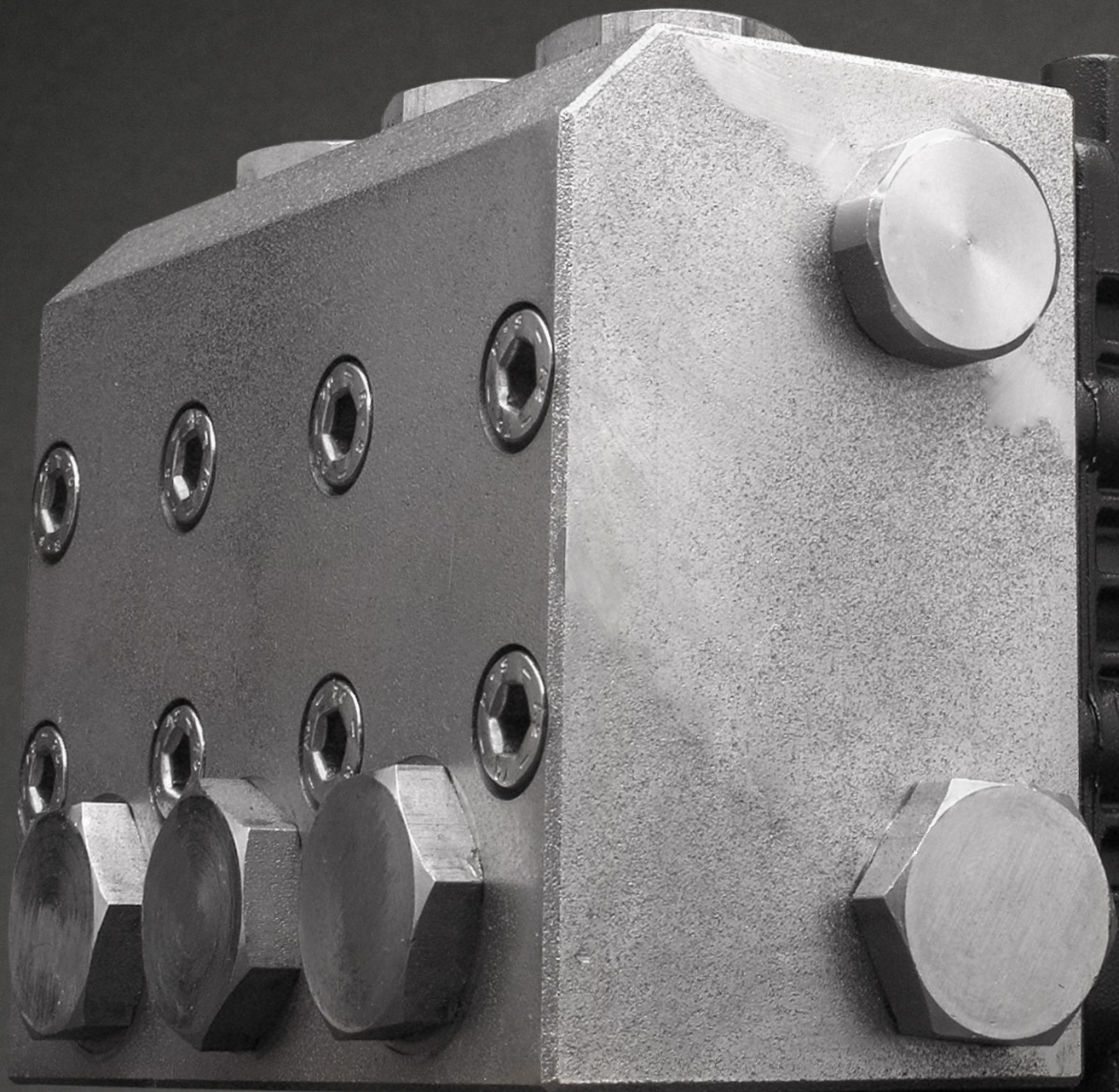


AR ANNOVI REVERBERI CR 20.1000 N EAC

MADE IN ITALY	Nr. 00000	CP0000000000000001
VOLUME	20 l/min	FLOW 5.28 U.S. gpm
PRESSIONE	1000 bar	PRESSURE 14500 psi
R.P.M	1000	OIL SAE 30
ANNOVI REVERBERI S.P.A. 41100 Modena (Italy)		

Handbuilt in Italy

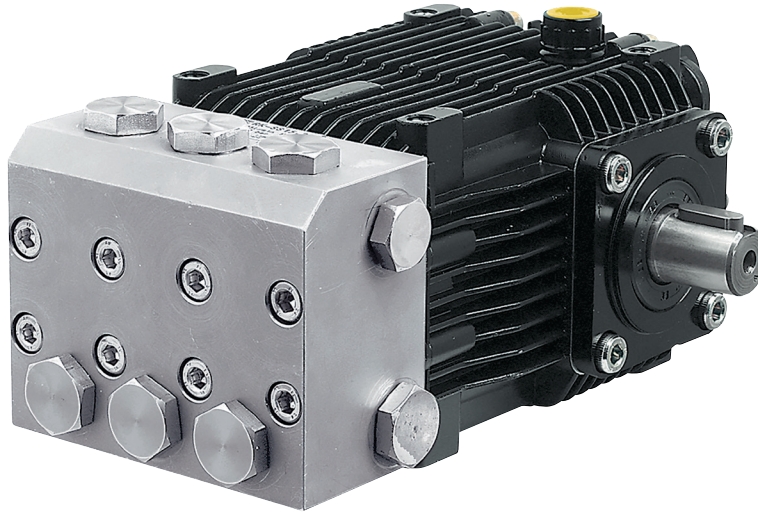




STAINLESS STEEL

XMA-SS
JK-SS
RK-SS
RKA-SS
XWL-SS

XWLA-SS
STP-SS
STPA-SS
RTX-SS
CR



Stainless steel will hold up to many chemicals that attack brass, aluminum, and nickel.

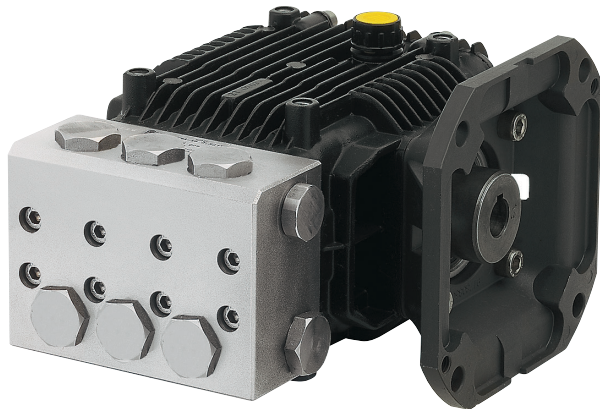
Seals in all stainless pumps are Viton.

Holds up to salt water.

Great for R/O systems and deionized water.

XMA-SS-F33

SOLID SHAFT PUMP



Stainless Steel

140° F - Max Water Temp
 1/2" F - Inlet Thread
 3/8" F - Discharge Thread
 14.5 oz - Oil Capacity



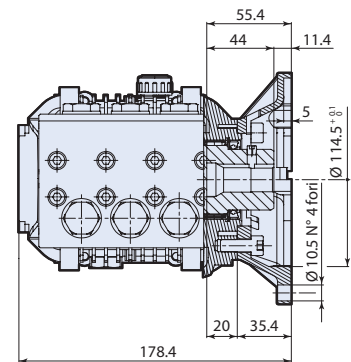
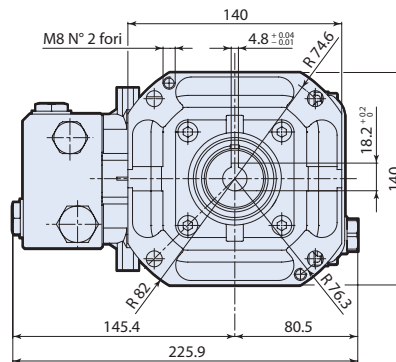
● AISI 316L pump head



○ bronze connecting rods



○ viton o-rings



E version + F33

MOD	MAX	MAX		NET	BORE DIA	STROKE	CRANKSHAFT ID STAMP	LIST PRICE			
	l/min	gpm	bar	psi	ebhp	rpm	lbs	mm	mm		\$
XMA-SS 1750rpm E version 5/8" with Nema 56-C Flange											
XMASS0.5G15E-F33 ●○○	1.9	0.5	140	2000	0.68	1750	17	15	2.2	13	\$2,950.88
XMASS18G15E-F33 ●○○	6.8	1.8	140	2000	2.47	1750	17	15	8.2	7	\$2,950.88
XMASS25G15E-F33 ●○○	9.5	2.5	140	2000	3.43	1750	17	15	10.6	5	\$2,950.88
XMASS3G15E-F33 ●○○	11.4	3	140	2000	4.12	1750	17	15	13.2	3	\$2,950.88
XMASS35G15E-F33 ●○○	13.2	3.5	140	2000	4.80	1750	17	18	10.6	5	\$2,950.88
XMASS42G20E-F33 ●○○	15.9	4.2	140	2000	5.77	1750	17	18	12.7	4	\$2,950.88

SPECIAL PARTS / KITS

MOD	DESCRIPTION	LIST PRICE
AR64516	Oil (16 oz)	\$15.80

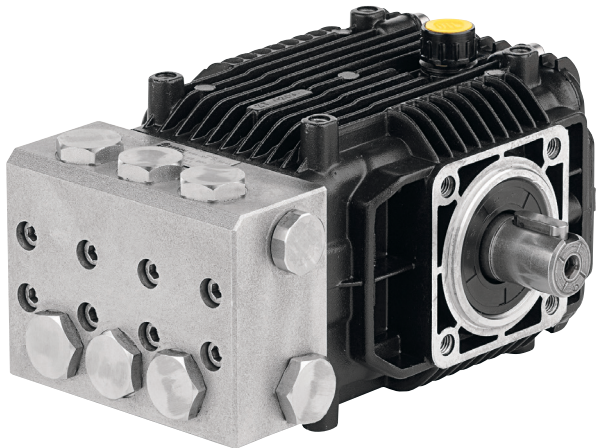
REPAIR KITS

MOD	DESCRIPTION	QTY	LIST PRICE
AR2631	Valves	6	\$106.37
AR2645	Pistons	3	\$245.47
AR2644	Water Seals	3	\$142.02
AR2787	Oil Seals	6	\$59.70
AR2740	Support Rings	3	\$13.54



XMA-SS

SOLID SHAFT PUMP



Stainless Steel

140° F - Max Water Temp
 1/2" F - Inlet Thread
 3/8" F - Discharge Thread
 14.5 oz - Oil Capacity



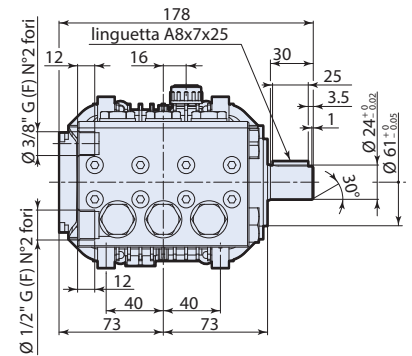
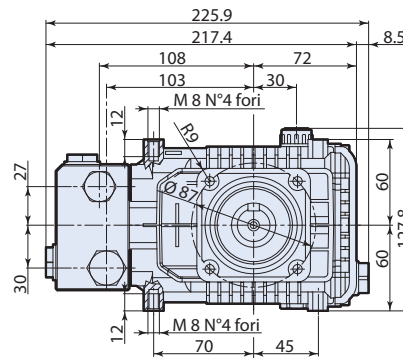
● AISI 316L
 pump
 head



○ aluminum
 connecting-
 rods



○ viton
 o-rings



N version

MOD	MAX	MAX			BORE DIA	STROKE	CRANKSHAFT ID STAMP	LIST PRICE
	l/min gpm	bar psi	ebhp rpm	lbs	mm	mm		\$
XMA-SS 1750rpm N version 24mm Solid Shaft								
XMASS3G10N ●○○	11.4 3	140 2000	4.12 1750	17	15	13.2	3	\$2,950.88

SPECIAL PARTS / KITS

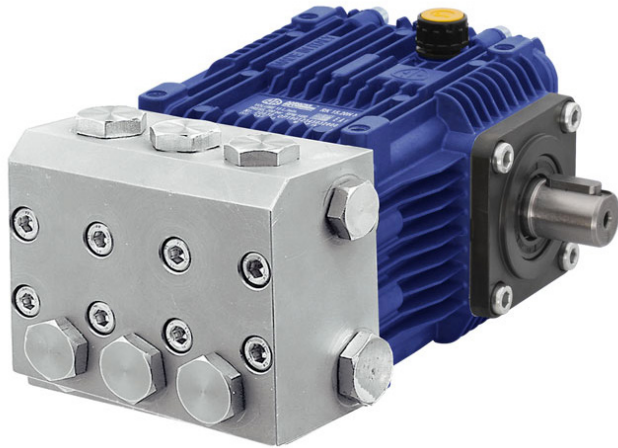
MOD	DESCRIPTION	LIST PRICE
AR2729	Rail Kit 5/8" (2 rails & 4 bolts)	\$41.08
AR2633	Rail Kit 1-3/4" (2 rails & 4 bolts)	\$35.18
AR2633H	Rail Kit 2-5/8" (2 rails & 4 bolts)	\$46.40
AR64516	Oil (16 oz)	\$15.80

REPAIR KITS

MOD	DESCRIPTION	QTY	LIST PRICE
AR2631	Valves	6	\$106.37
AR2544	Pistons	3	\$179.97
AR2644	Water Seals	3	\$142.02
AR2786	Oil Seals	6	\$48.32
AR2740	Support Rings	3	\$13.54

JK-SS

SOLID SHAFT PUMP



Stainless Steel

140° F - Max Water Temp
 1/2" F - Inlet Thread
 3/8" F - Discharge Thread
 14.5 oz - Oil Capacity



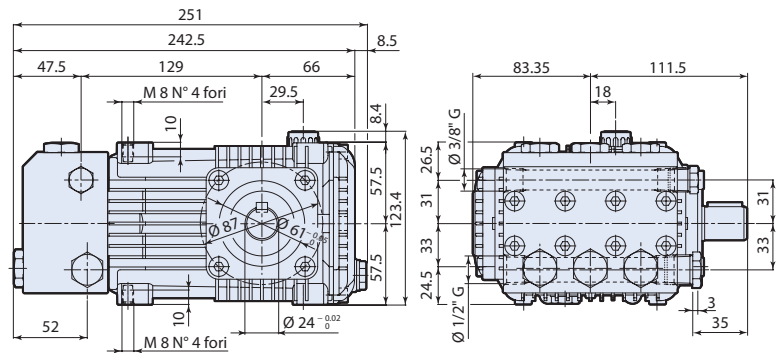
● AISI 316L
 pump
 head



○ bronze
 connecting-
 rods



○ viton
 o-rings



N version

MOD	MAX	MAX			BORE DIA	STROKE	CRANKSHAFT ID STAMP	LIST PRICE				
	l/min	gpm	bar	psi	ebhp	rpm	lbs	mm	mm		\$	
JK-SS 1450rpm N version 24mm Solid Shaft												
JK-SS1515N	●○●	15	4.0	150	2200	6.0	1450	22	18	13.8	2	\$4,058.90
JK-SS2115N	●○●	21	5.5	150	2200	8.3	1450	22	22	13	13	\$4,210.24

SPECIAL PARTS / KITS

MOD	DESCRIPTION	LIST PRICE
AR64516	Oil (16 oz)	\$15.80

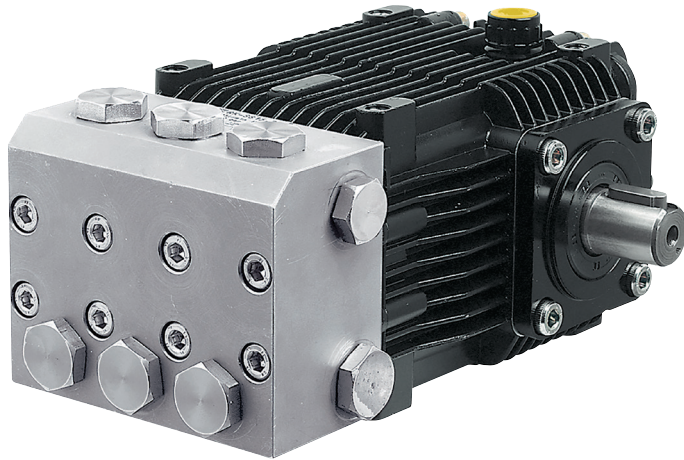
REPAIR KITS

MOD	DESCRIPTION	QTY	LIST PRICE
AR2275	Valves	6	\$150.88
AR43402	Pistons Ø 18	3	\$98.14
AR43404	Water Seals Ø 18	3	\$39.55
AR43403	Oil Seals	4	\$28.72
AR43405	Support Rings Ø 18	3	\$19.19
AR46110	Pistons Ø 22	3	\$156.66
AR46113	Water Seals Ø 22	3	\$73.10
AR46115	Support Rings Ø 22	3	\$26.11



RK-SS

SOLID SHAFT PUMP



Stainless Steel

140° F - Max Water Temp
 1/2" F - Inlet Thread
 3/8" F - Discharge Thread
 15 oz - Oil Capacity



● AISI 316L pump head



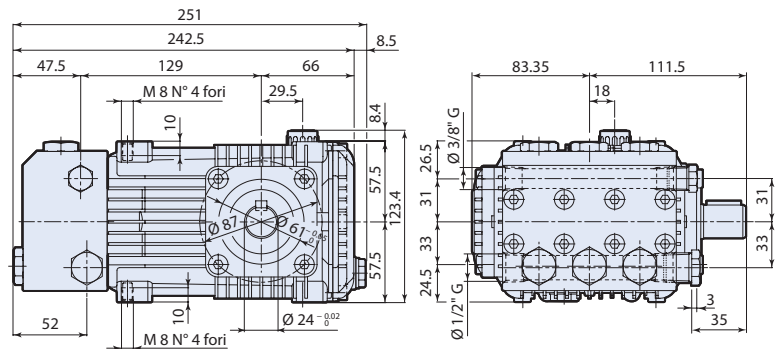
○ bronze connecting rods



○ aluminum connecting rods



○ viton o-rings



N version

MOD	MAX	MAX			BORE DIA	STROKE	CRANKSHAFT ID STAMP	LIST PRICE
	l/min	gpm	bar	psi	mm	mm		\$
RK-SS 1450rpm N version 24mm Solid Shaft								
RKSS11.11N ● ○ ○	11	2.9	200	3000	6.0	1450	22	\$3,493.83
RKSS13.17N ● ○ ○	13	3.43	200	3000	7.1	1450	22	\$3,651.53
RKSS15.15N ● ○ ○	15	3.96	200	3000	8.1	1450	22	\$3,493.83
RKSS21.15N ● ○ ○	21	5.55	150	2200	8.3	1450	22	\$3,493.83

SPECIAL PARTS / KITS

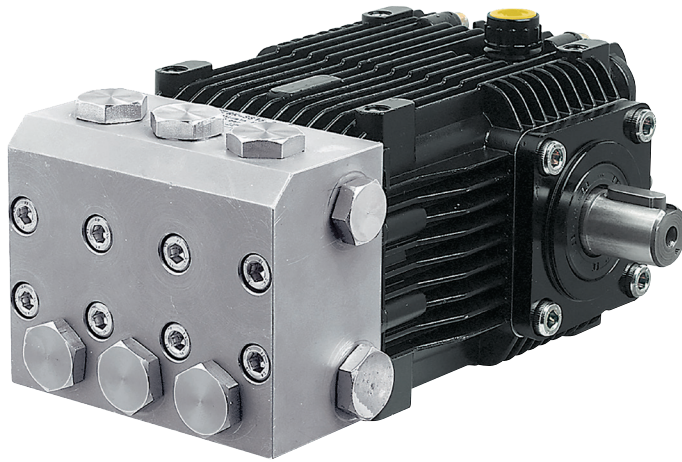
MOD	DESCRIPTION	LIST PRICE
AR2729	Rail Kit 5/8" (2 rails & 4 bolts)	\$41.08
AR2633	Rail Kit 1-3/4" (2 rails & 4 bolts)	\$35.18
AR2633H	Rail Kit 2-5/8" (2 rails & 4 bolts)	\$46.40
AR64516	Oil (16 oz)	\$15.80

REPAIR KITS

MOD	DESCRIPTION	QTY	LIST PRICE
AR2514	Valves	6	\$135.22
AR2552	Pistons ø 18	3	\$364.68
AR2526	Pistons ø 22	3	\$364.68
AR2516	Water Seals ø 18 Viton	3	\$212.58
AR2527	Water Seals ø 22 Viton	3	\$307.93
AR2528	Oil Seals	6	\$57.91
AR1829	Support Rings ø 18	3	\$18.41
AR1816	Support Rings ø 22	3	\$12.00

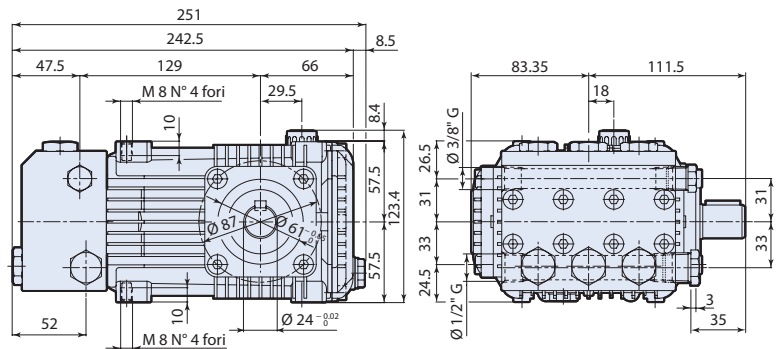
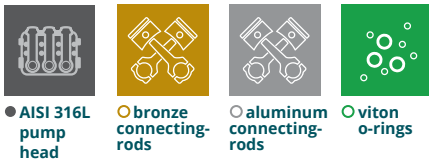
RKA-SS

SOLID SHAFT PUMP



Stainless Steel

140° F - Max Water Temp
 1/2" F - Inlet Thread
 3/8" F - Discharge Thread
 15 oz - Oil Capacity



N version

MOD	MAX	MAX		NET	BORE DIA	STROKE	CRANKSHAFT ID STAMP	LIST PRICE				
	l/min	gpm	bar	psi	ebhp	rpm	lbs	mm	mm		\$	
RKA-SS 1750rpm N version 24mm Solid Shaft												
RKASS2.3G15N	● ○ ○	8.7	2.3	200	3000	4.7	1750	22	18	7	8	\$3,493.83
RKASS3G15N	● ○ ○	11.4	3	200	3000	6.2	1750	22	18	9.8	6	\$3,493.83
RKASS3.6G12N	● ○ ○	13.6	3.6	200	3000	7.4	1750	22	18	11.2	10	\$3,493.83
RKASS4.2G15N	● ○ ○	15.9	4.2	200	3000	8.6	1750	22	18	12	4	\$3,493.83
RKASS7G22N	● ○ ○	22	7	150	2200	10.6	1750	22	22	14.6	1	\$3,493.83

SPECIAL PARTS / KITS

MOD	DESCRIPTION	LIST PRICE
AR2729	Rail Kit 5/8" (2 rails & 4 bolts)	\$41.08
AR2633	Rail Kit 1-3/4" (2 rails & 4 bolts)	\$35.18
AR2633H	Rail Kit 2-5/8" (2 rails & 4 bolts)	\$46.40
AR64516	Oil (16 oz)	\$15.80

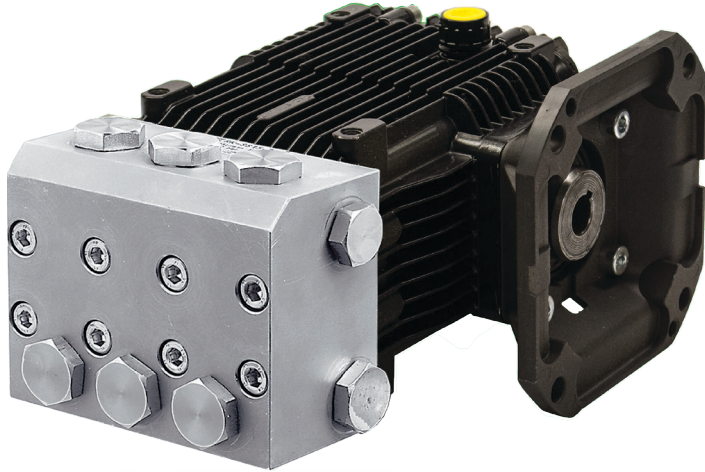
REPAIR KITS

MOD	DESCRIPTION	QTY	LIST PRICE
AR2514	Valves	6	\$135.22
AR2552	Pistons ø 18	3	\$364.68
AR2516	Water Seals ø 18 Viton	3	\$212.58
AR2528	Oil Seals	6	\$57.91
AR1829	Support Rings ø 18	3	\$18.41



RKA-SS-F33

HOLLOW SHAFT PUMP



Stainless Steel

140° F - Max Water Temp
 1/2" F - Inlet Thread
 3/8" F - Discharge Thread
 15 oz - Oil Capacity



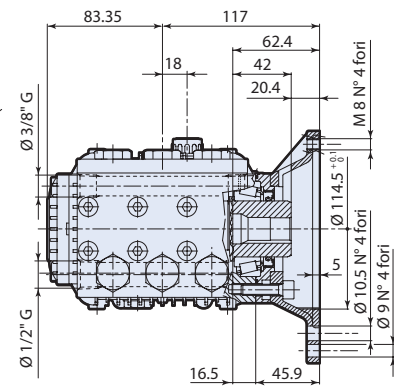
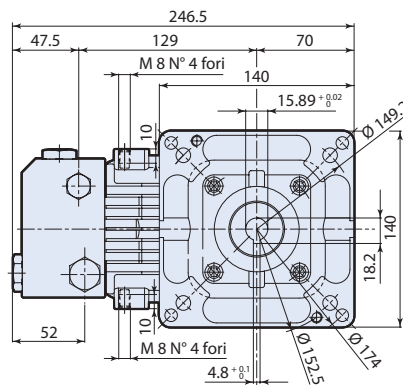
● AISI 316L pump head



○ bronze connecting rods



○ viton o-rings



E version + F33

MOD	MAX	MAX		NET	BORE DIA	STROKE	CRANKSHAFT ID STAMP	LIST PRICE				
	l/min	gpm	bar	psi	ebhp	rpm	lbs	mm	mm		\$	
RKA-SS 1750rpm E version 5/8" with Nema 56-C Flange												
RKASS23G15E-F33	● ○ ●	8.7	2.3	200	3000	4.7	1750	22	18	7	8	\$3,552.85
RKASS3G15E-F33	● ○ ●	11.4	3	200	3000	6.2	1750	22	18	9.8	6	\$3,552.85
RKASS36G12E-F33	● ○ ●	13.6	3.6	200	3000	7.4	1750	22	18	11.2	10	\$3,552.85
RKASS42G15E-F33	● ○ ●	15.9	4.2	200	3000	8.6	1750	22	18	12	4	\$3,552.85

SPECIAL PARTS / KITS

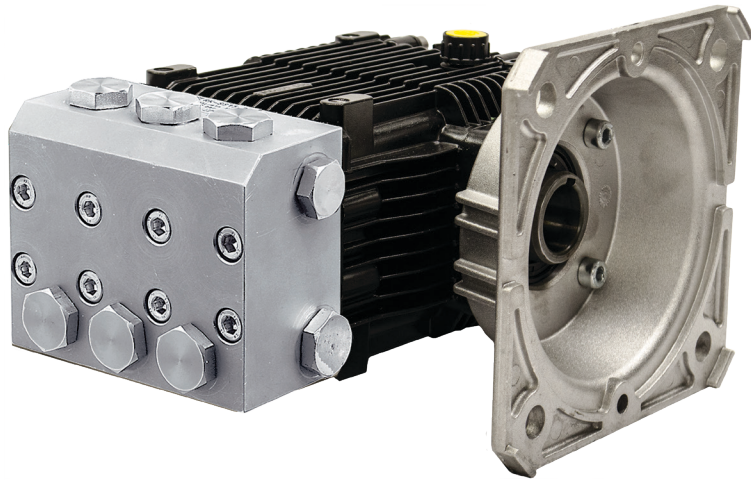
MOD	DESCRIPTION	LIST PRICE
AR64516	Oil (16 oz)	\$15.80

REPAIR KITS

MOD	DESCRIPTION	QTY	LIST PRICE
AR2514	Valves	6	\$135.22
AR2552	Pistons Ø 18	3	\$364.68
AR2516	Water Seals Ø 18 Viton	3	\$212.58
AR2528	Oil Seals	6	\$57.91
AR1829	Support Rings Ø 18	3	\$18.41




RKA-SS-F17

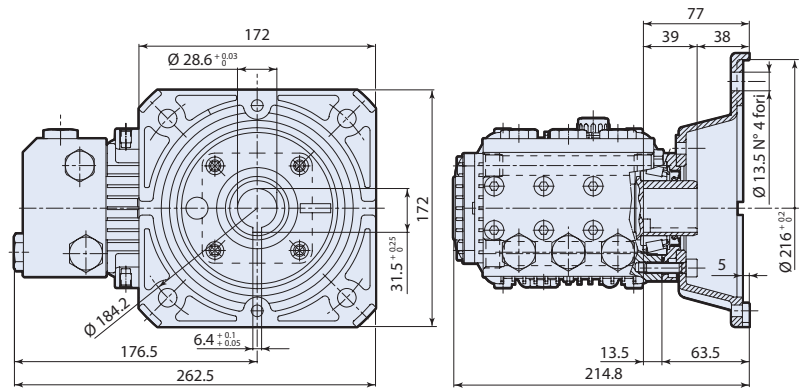
HOLLOW SHAFT PUMP



Stainless Steel

140° F - Max Water Temp
 1/2" F - Inlet Thread
 3/8" F - Discharge Thread
 15 oz - Oil Capacity

-  ● AISI 316L pump head
-  ○ bronze connecting rods
-  ○ Viton o-rings



E version + F17

MOD	MAX		MAX		ebhp	rpm	lbs	BORE DIA	STROKE	CRANKSHAFT ID STAMP	LIST PRICE	
	l/min	gpm	bar	psi								mm
RKASS 1750rpm E version 1-1/8" with Nema 182-184 Flange												
RKASS23G15E-F17	● ○ ●	8.7	2.3	200	3000	4.7	1750	22	18	7	8	\$3,552.85
RKASS3G15E-F17	● ○ ●	11.4	3	200	3000	6.2	1750	22	18	9.8	6	\$3,552.85
RKASS36G12E-F17	● ○ ●	13.6	3.6	200	3000	7.4	1750	22	18	11.2	10	\$3,552.85
RKASS42G15E-F17	● ○ ●	15.9	4.2	200	3000	8.6	1750	22	18	12	4	\$3,552.85
RKASS7G22E-F17	● ○ ●	22	7	150	2200	10.6	1750	22	22	14.6	1	\$3,552.85

SPECIAL PARTS / KITS

MOD	DESCRIPTION	LIST PRICE
AR64516	Oil (16 oz)	\$15.80

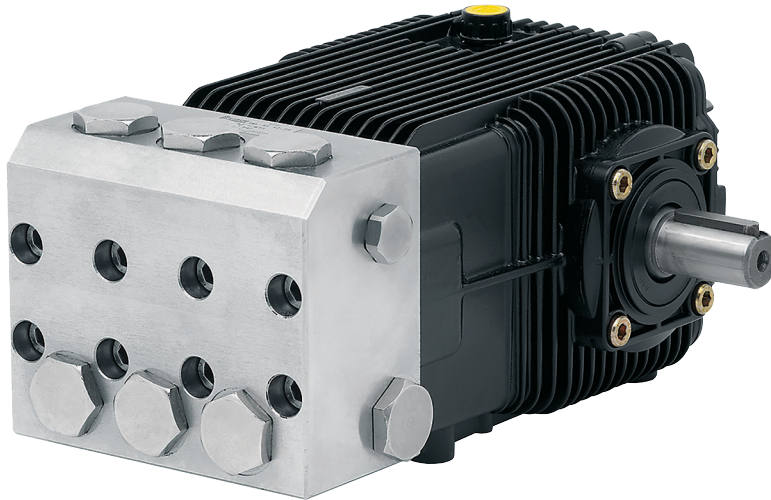
REPAIR KITS

MOD	DESCRIPTION	QTY	LIST PRICE
AR2514	Valves	6	\$135.22
AR2552	Pistons $\varnothing 18$	3	\$364.68
AR2516	Water Seals $\varnothing 18$ Viton	3	\$212.58
AR2528	Oil Seals	6	\$57.91
AR1829	Support Rings $\varnothing 18$	3	\$18.41



XWL-SS

SOLID SHAFT PUMP



Stainless Steel

140° F - Max Water Temp
 3/4" F - Inlet Thread
 3/8" F - Discharge Thread
 32 oz - Oil Capacity



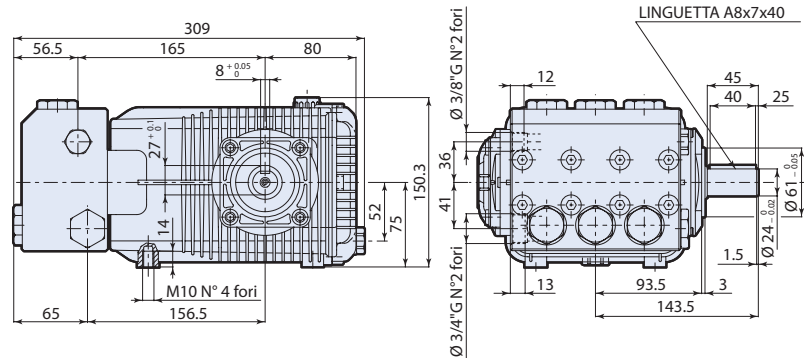
● AISI 316L pump head



○ aluminum connecting rods



○ Viton o-rings



N version

MOD	MAX l/min	MAX gpm	MAX bar	MAX psi	MAX ebhp	MAX rpm	NET lbs	BORE DIA mm	STROKE mm	CRANKSHAFT ID STAMP	LIST PRICE \$
XWL-SS 1450rpm N version 24mm Solid Shaft											
XWLSS42.15N ● ○ ○	42	11	150	2200	16.6	1450	36	28	17.2	2	\$5,594.86
XWLSS50.15N ● ○ ○	50	13.2	150	2200	20.0	1450	37	28	19.4	10	\$5,594.86

SPECIAL PARTS / KITS

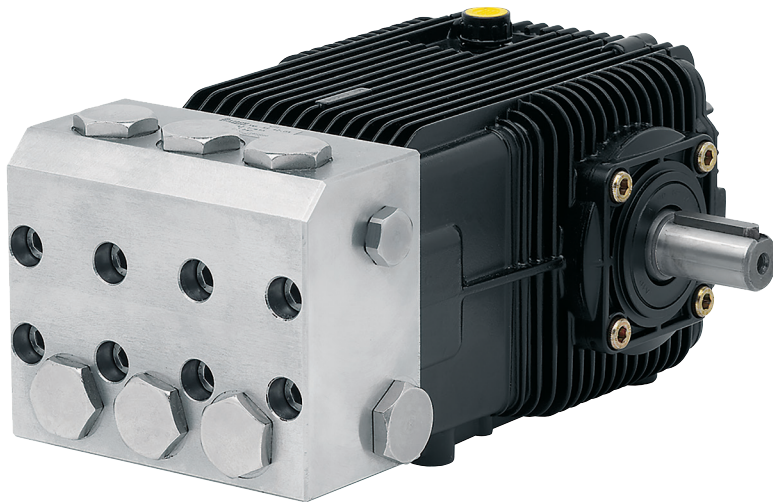
MOD	DESCRIPTION	LIST PRICE
AR2729	Rail Kit 5/8" (2 rails & 4 bolts)	\$41.08
U-Bracket/Kit	Rail Kit 1-1/2" (2 rails & 4 bolts)	\$76.14
AR64516	Oil (16 oz)	\$15.80

REPAIR KITS

MOD	DESCRIPTION	QTY	LIST PRICE
AR2162	Valves	6	\$189.84
AR2163	Pistons	3	\$352.29
AR2164	Water Seals	3	\$470.12
AR2781	Oil Seals	6	\$73.50
AR2165	Piston Guide	3	\$1,070.67

XWLA-SS

SOLID SHAFT PUMP

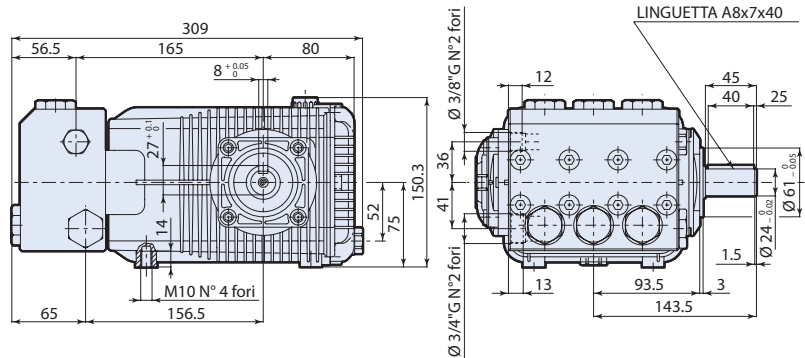


Stainless Steel

140° F - Max Water Temp
 1/2" F - Inlet Thread
 3/8" F - Discharge Thread
 15 oz - Oil Capacity



● AISI 316L pump head
 ○ aluminum connecting rods
 ○ Viton o-rings



N version

MOD	MAX	MAX		NET	BORE DIA	STROKE	CRANKSHAFT ID STAMP	LIST PRICE			
	l/min	gpm	bar	psi	ebhp	rpm	lbs	mm	mm		\$

XWLA-SS 1750rpm N version 24mm Solid Shaft

XWLA-SS 12G22N ● ○ ○ 45 12 150 2200 18.1 1750 36 28 15 8 \$5,594.86

SPECIAL PARTS / KITS

MOD	DESCRIPTION	LIST PRICE
AR64516	Oil (16 oz)	\$15.80

REPAIR KITS

MOD	DESCRIPTION	QTY	LIST PRICE
AR2514	Valves	6	\$135.22
AR2552	Pistons ø 18	3	\$364.68
AR2516	Water Seals ø 18 Viton	3	\$212.58
AR2528	Oil Seals	6	\$57.91
AR1829	Support Rings ø 18	3	\$18.41



STP-SS

SOLID SHAFT PUMP



Stainless Steel

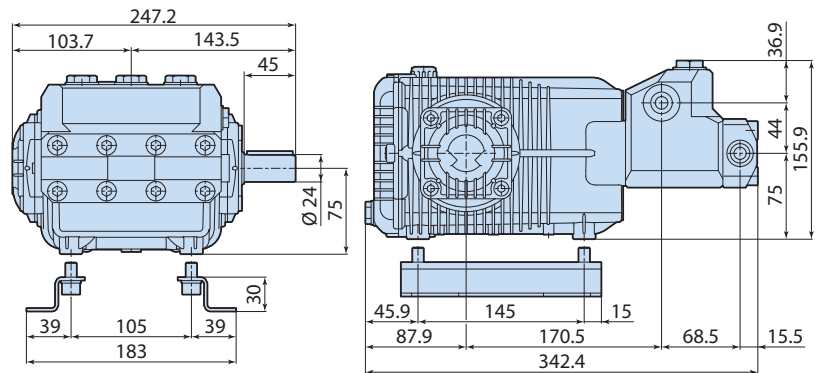
140° F - Max Water Temp
 1/2" F - Inlet Thread
 3/8" F - Discharge Thread
 32 oz - Oil Capacity



● AISI 316L pump head



○ aluminum connecting rods



N version

MOD	MAX	gpm	bar	MAX	psi	ebhp	rpm	lbs	BORE DIA	STROKE	CRANKSHAFT ID STAMP	LIST PRICE
	l/min								mm	mm		\$
STP-SS 1450rpm N version 24mm Solid Shaft												
STP-SS1550N	● ○	15	3.96	500	7250	19.7	1450	41	18	15	8	\$6,964.06
STP-SS2050N	● ○	20	5.3	500	7250	26.3	1450	41	18	18.8	12	\$6,964.06
STP-SS2250N	● ○	22	5.8	500	7250	28.8	1450	41	18	21	7	\$4,131.23

SPECIAL PARTS / KITS

MOD	DESCRIPTION	LIST PRICE
AR2748	Rail Kit 1-1/4" (2 rails & 4 bolts)	\$26.67
AR2748H	Rail Kit 2-1/2" (2 rails & 4 bolts)	\$74.62
U-Bracket/Kit	Rail Kit 1-1/2" (2 rails & 4 bolts)	\$76.14
AR64516	Oil (16 oz)	\$15.80

REPAIR KITS

MOD	DESCRIPTION	QTY	LIST PRICE
AR43408	Valves	12	\$142.93
AR2548	Pistons	3	\$261.53
AR2874	Water Seals	9	\$200.96
AR2873	Oil Seals	7	\$53.95
AR42120	Piston Guide	6	\$160.68

STPA-SS

SOLID SHAFT PUMP



Stainless Steel

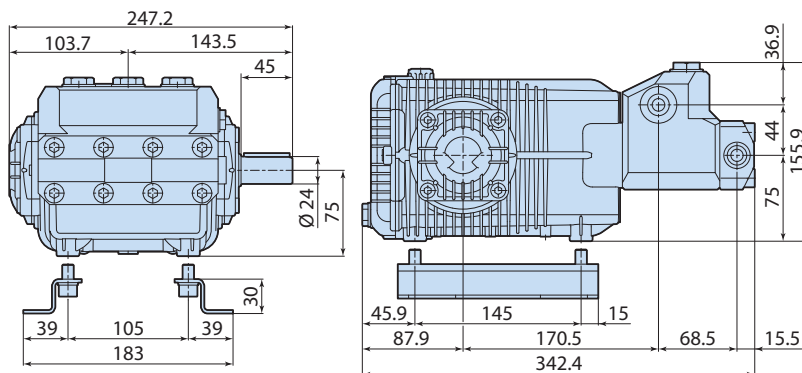
140° F - Max Water Temp
 1/2" F - Inlet Thread
 3/8" F - Discharge Thread
 32 oz - Oil Capacity



● AISI 316L pump head



○ aluminum connecting rods



N version

MOD	MAX l/min	MAX gpm	MAX bar	MAX psi	MAX ebhp	MAX rpm	NET lbs	BORE DIA mm	STROKE mm	CRANKSHAFT ID STAMP	LIST PRICE \$
STPA-SS 1750rpm N version 24mm Solid Shaft											
STPA-SS4G70N	15.1	4	500	7250	19.9	1750	41	18	12.2	5	\$6,964.06
STPA-SS5G70N	20.8	5.5	500	7250	27.4	1750	41	18	17.2	2	\$6,964.06

SPECIAL PARTS / KITS

MOD	DESCRIPTION	LIST PRICE
AR2748	Rail Kit 1-1/4" (2 rails & 4 bolts)	\$26.67
AR2748H	Rail Kit 2-1/2" (2 rails & 4 bolts)	\$74.62
U-Bracket/Kit	Rail Kit 1-1/2" (2 rails & 4 bolts)	\$76.14
AR64516	Oil (16 oz)	\$15.80

REPAIR KITS

MOD	DESCRIPTION	QTY	LIST PRICE
AR43408	Valves	12	\$142.93
AR2548	Pistons	3	\$261.53
AR2874	Water Seals	9	\$200.96
AR2873	Oil Seals	7	\$53.95
AR42120	Piston Guide	6	\$160.68



RTX-SS

SOLID SHAFT PUMP



Stainless Steel

140° F - Max Water Temp
 1" F - Inlet Thread
 1/2" F - Discharge Thread
 70.5 oz - Oil Capacity



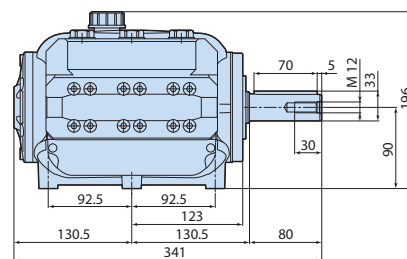
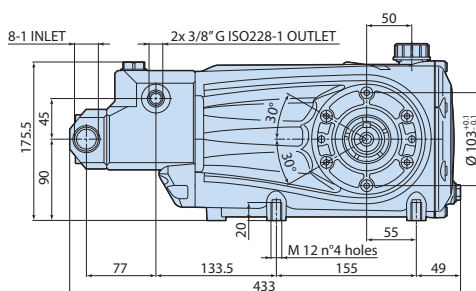
● AISI 420L pump head



○ bronze connecting rods



○ buna o-rings



N version

MOD	MAX	MAX		NET	BORE DIA	STROKE	CRANKSHAFT ID STAMP	LIST PRICE			
	l/min	gpm	bar	psi	ebhp	rpm	lbs	mm	mm		\$

RTX-SS 1450rpm N version 30mm Solid Shaft

RTX-SS30.500 ● ● ● 30 7.9 500 7250 39.4 1450 72 20 23 3 \$10,174.61

SPECIAL PARTS / KITS

MOD	DESCRIPTION	LIST PRICE
U-Bracket/RTX/Kit	Rail Kit 3" (2 rails & 4 bolts)	\$268.21
AR645107	Oil (SAE30) (1.07 gal)	\$183.60

REPAIR KITS

MOD	DESCRIPTION	QTY	LIST PRICE
AR43762	Valves	6	\$218.01
AR42836	Pistons ø 20	3	\$361.97
AR43763	Water Seals ø 20	3	\$307.05
AR42840	Oil Seals	8	\$75.31
AR43764	Piston Guide Kit ø 20	3	\$180.16

RTX-SS

SOLID SHAFT PUMP



Stainless Steel

140° F - Max Water Temp
 1" F - Inlet Thread
 1/2" F - Discharge Thread
 70.5 oz - Oil Capacity



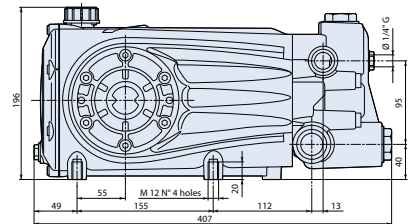
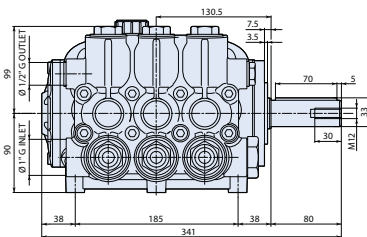
● AISI 316L pump head



○ aluminum connecting rods



○ viton o-rings



N version

MOD	MAX	MAX	MAX		NET	BORE DIA	STROKE	CRANKSHAFT ID STAMP	LIST PRICE
	l/min	gpm	bar	psi	ebhp	rpm	lbs	mm	mm

RTX-SS 1450rpm N version 30mm Solid Shaft

RTX-SS100.100N ● ○ ● 100 26.4 100 1500 27.0 1450 72 36 23 3 \$10,174.61

SPECIAL PARTS / KITS

MOD	DESCRIPTION	LIST PRICE
U-Bracket/RTX/Kit	Rail Kit 3" (2 rails & 4 bolts)	\$268.21
AR645107	Oil (SAE30) (1.07 gal)	\$183.60

REPAIR KITS

MOD	DESCRIPTION	QTY	LIST PRICE
AR43520	Valves	6	\$842.23
AR42839	Pistons ø 36	3	\$421.69
AR43519	Water Seals ø 36	3	\$812.94
AR42840	Oil Seals	8	\$75.31
AR43765	Piston Guide Kit ø 36	3	\$540.47



CR

SOLID SHAFT PUMP



Stainless Steel

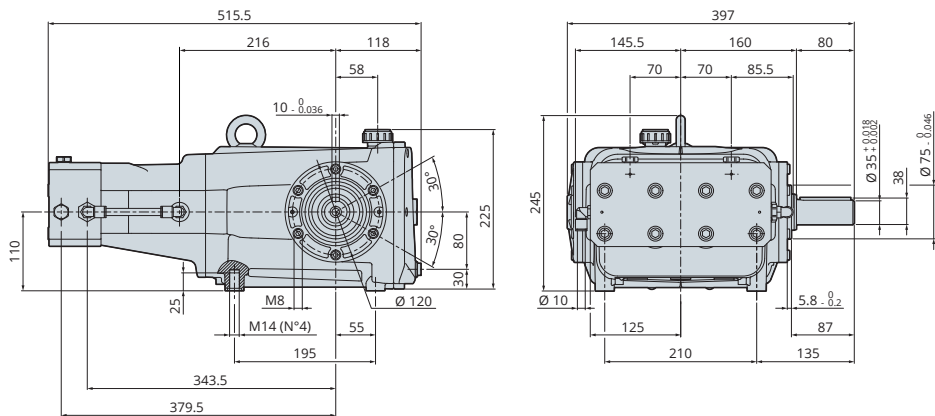
140° F - Max Water Temp
 1-1/2" F - Inlet Thread
 1" F - Discharge Thread
 137 oz - Oil Capacity



● AISI 316L pump head



○ bronze connecting rods



N version

MOD	MAX	MAX			BORE DIA	STROKE	CRANKSHAFT ID STAMP	LIST PRICE
	l/min	gpm	bar	psi	ebhp	rpm	lbs	mm
CR 1000rpm N version 35mm Solid Shaft								
CR15-1000	● ○	15	4.0	1000	15,000	41.1	1000	136
CR18-1000	● ○	18	4.75	1000	15,000	48.9	1000	136
CR20-1000	● ○	20	5.3	1000	15,000	54.4	1000	136

SPECIAL PARTS / KITS

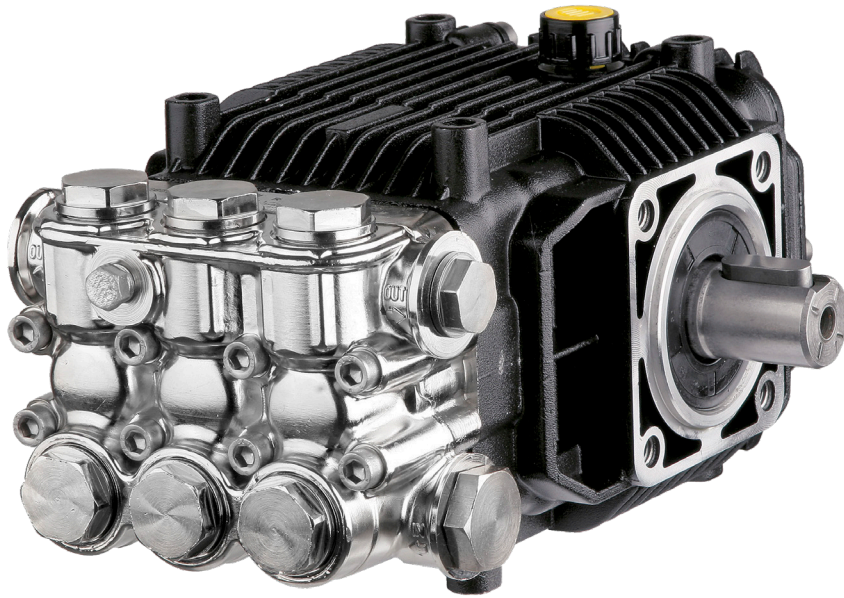
MOD	DESCRIPTION	LIST PRICE
BRACKET-RTP/RTF/RTJ	Rail Kit 2"	\$139.14
AR645107	Oil (SAE30) (1.07 gal)	\$183.60
BRACKET-RTD	Rail Kit 3.576"	\$144.39
AR4181390	Plug-Manifold	\$30.40

REPAIR KITS

MOD	DESCRIPTION	QTY	LIST PRICE
AR46907	Valves	11	\$2,925.20
AR46906	Pistons	3	\$2,037.55
AR46908	Water Seals	10	\$1,347.12
AR43616	Oil Seals	4	\$119.98

HOT WATER PUMPS

XHW
RHW
WHW
WHWL



Able to pump water up to 180° F.

Pump comes with either teflon or Viton seals installed.

Great to use with pre-existing hot water source. No need for burner and coil after the pump.

XHW

SOLID SHAFT PUMP



Hot Water

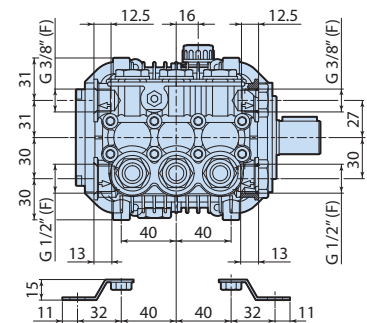
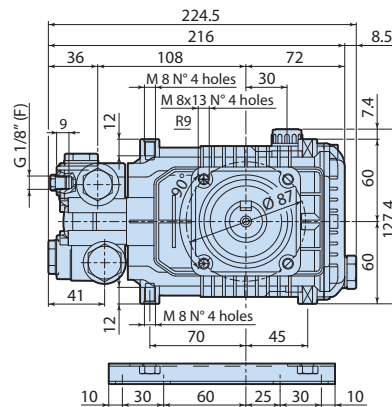
180° F - Max Water Temp
 3/4" F - Inlet Thread
 3/8" F - Discharge Thread
 32 oz - Oil Capacity



● nickel plated brass head



○ aluminum connecting rods



N version

MOD	MAX l/min	MAX gpm	MAX bar	MAX psi	ebhp	rpm	NET lbs	BORE DIA mm	STROKE mm	CRANKSHAFT ID STAMP	LIST PRICE \$
XHW 1450rpm N version 24mm Solid Shaft											
XHW08.15N ● ○	8	2.11	150	2200	3.2	1450	14	15	10.6	5	\$1,676.10
XHW1117N ○ ○	11	3.0	170	2500	5.0	1450	14	15	15.4	1	\$1,676.10

SPECIAL PARTS / KITS

MOD	DESCRIPTION	LIST PRICE
AR2729	Rail Kit 5/8" (2 rails & 4 bolts)	\$41.08
AR2633	Rail Kit 1-3/4" (2 rails & 4 bolts)	\$35.18
AR2633H	Rail Kit 2-5/8" (2 rails & 4 bolts)	\$46.40
AR64516	Oil (16 oz)	\$15.80

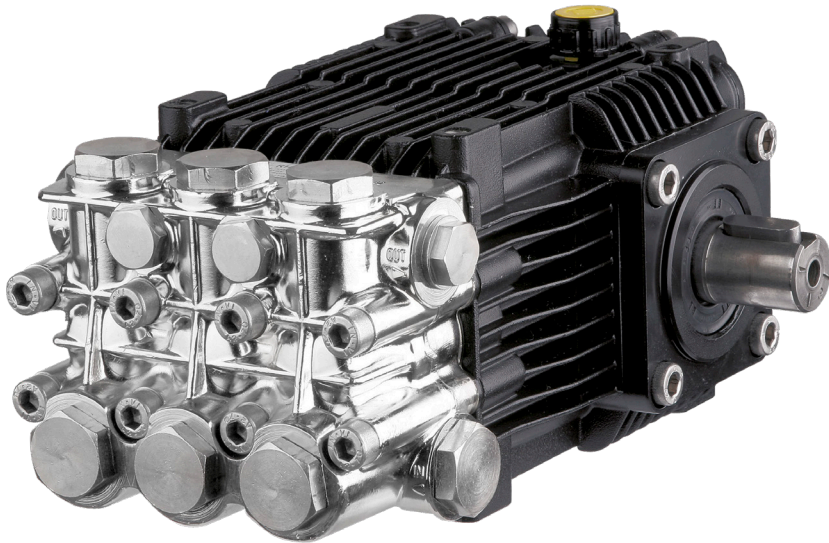
REPAIR KITS

MOD	DESCRIPTION	QTY	LIST PRICE
AR42331	Valves	6	\$235.12
AR2544	Pistons	3	\$179.97
AR42332	Water Seals	3	\$560.05
AR2786	Oil Seals	6	\$48.32
AR2740	Support Rings	3	\$13.54



RHW

SOLID SHAFT PUMP



Hot Water

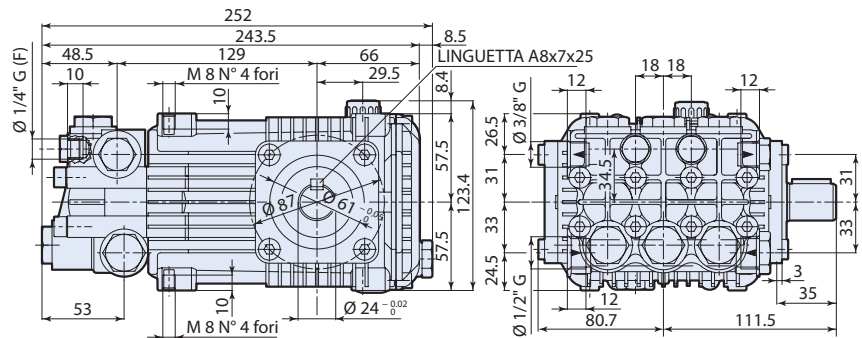
180° F - Max Water Temp
 3/4" F - Inlet Thread
 3/8" F - Discharge Thread
 32 oz - Oil Capacity



● nickel plated brass head



○ bronze connecting rods



N version

MOD	MAX l/min	MAX gpm	MAX bar	MAX psi	ebhp	rpm	NET lbs	BORE DIA mm	STROKE mm	CRANKSHAFT ID STAMP	LIST PRICE \$
RHW 1450rpm N version 24mm Solid Shaft											
RHW1515N ● ○	15	4.0	150	2200	6.0	1450	20	18	14.6	1	\$1,923.97

SPECIAL PARTS / KITS

MOD	DESCRIPTION	LIST PRICE
AR2729	Rail Kit 5/8" (2 rails & 4 bolts)	\$41.08
AR2633	Rail Kit 1-3/4" (2 rails & 4 bolts)	\$35.18
AR2633H	Rail Kit 2-5/8" (2 rails & 4 bolts)	\$46.40
U-Bracket/Kit	Rail Kit 1-1/2" (2 rails & 4 bolts)	\$76.14
U-Bracket/CW/Kit	Rail Kit 2" (2 rails & 4 bolts)	\$97.15
AR64516	Oil (16 oz)	\$15.80

REPAIR KITS

MOD	DESCRIPTION	QTY	LIST PRICE
AR42328	Valves	6	\$219.00
AR2500	Pistons	3	\$325.45
AR42329	Water Seals	3	\$382.14
AR1855	Oil Seals	7	\$77.34
AR1829	Support Rings	3	\$18.41



Hot Water

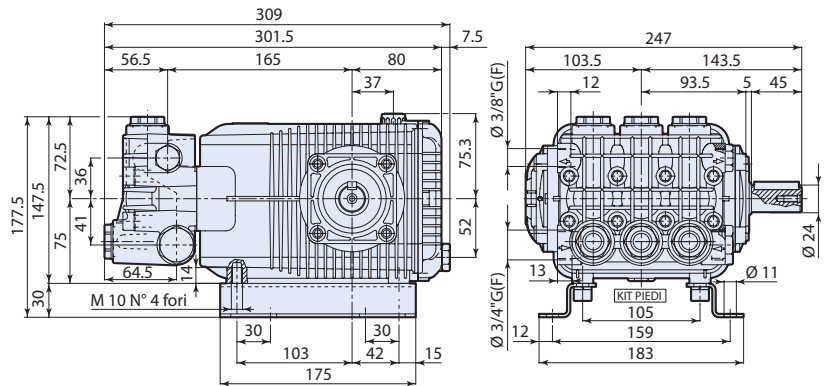
180° F - Max Water Temp
 3/4" F - Inlet Thread
 3/8" F - Discharge Thread
 32 oz - Oil Capacity



● nickel plated brass head



○ aluminum connecting rods



N version

MOD	MAX	MAX						BORE DIA	STROKE	CRANKSHAFT ID STAMP	LIST PRICE
	l/min	gpm	bar	psi	ebhp	rpm	lbs	mm	mm		\$
WHW 1450rpm N version 24mm Solid Shaft											
WHW2115N ● ○	22	5.55	150	2200	8.3	1450	37	22	13.8	4	\$2,348.89
WHW3220N ○ ○	30	8.0	200	3000	15.9	1450	37	22	19.8	1	\$2,348.89

SPECIAL PARTS / KITS

MOD	DESCRIPTION	LIST PRICE
AR2748	Rail Kit 5/8" (2 rails & 4 bolts)	\$26.67
AR2748H	Rail Kit 1-3/4" (2 rails & 4 bolts)	\$74.62
U-Bracket/Kit	Rail Kit 2-5/8" (2 rails & 4 bolts)	\$76.14
AR64516	Oil (16 oz)	\$15.80

REPAIR KITS

MOD	DESCRIPTION	QTY	LIST PRICE
AR2780	Valves	6	\$156.20
AR2543	Pistons ø 22	3	\$302.18
AR42402	Water Seals ø 22	3	\$759.81
AR2873	Oil Seals	6	\$53.95
AR42403	Support Rings ø 22	3	\$9.19



WHWL

SOLID SHAFT PUMP



Hot Water

180° F - Max Water Temp
 3/4" F - Inlet Thread
 3/8" F - Discharge Thread
 32 oz - Oil Capacity



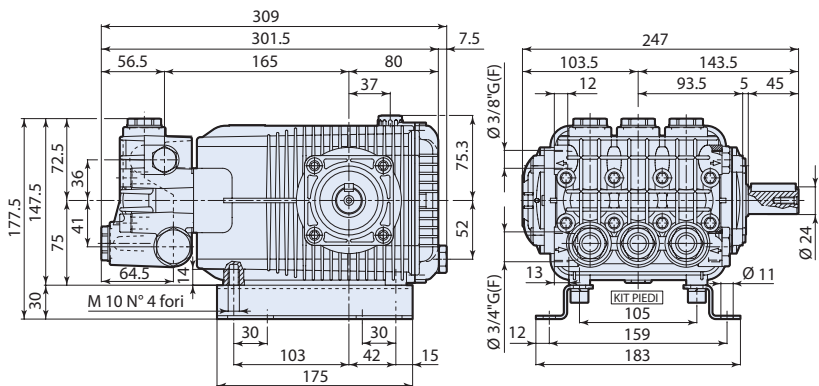
● nickel plated brass head



○ bronze connecting rods



○ aluminum connecting rods



N version

MOD	MAX l/min	MAX gpm	MAX bar	MAX psi	MAX ebhp	MAX rpm	NET lbs	BORE DIA mm	STROKE mm	CRANKSHAFT ID STAMP	LIST PRICE \$
-----	--------------	------------	------------	------------	-------------	------------	------------	----------------	--------------	---------------------	------------------

WHWL 1450rpm N version 24mm Solid Shaft

WHWL38.15N	● ○	38	10	150	2200	15.1	1450	37	28	15	8	\$2,348.89
WHWL50.15N	○ ○	50	13.2	150	2200	19.9	1450	37	28	19.4	10	\$2,348.89
WHWL50.20NB	● ○	50	13.2	200	3000	25.5	1450	37	28	19.4	10	\$2,553.10

SPECIAL PARTS / KITS

MOD	DESCRIPTION	LIST PRICE
AR2748	Rail Kit 5/8" (2 rails & 4 bolts)	\$26.67
AR2748H	Rail Kit 1-3/4" (2 rails & 4 bolts)	\$74.62
U-Bracket/Kit	Rail Kit 2-5/8" (2 rails & 4 bolts)	\$76.14
AR2036	Viton Water Seals ø 28	\$312.41
AR64516	Oil (16 oz)	\$15.80

REPAIR KITS

MOD	DESCRIPTION	QTY	LIST PRICE
AR2780	Valves	6	\$156.20
AR1849	Pistons ø 28	3	\$454.68
AR42562	Water Seals ø 28	3	\$738.64
AR2873	Oil Seals	6	\$53.95
AR42561	Support Rings ø 28	3	\$9.60



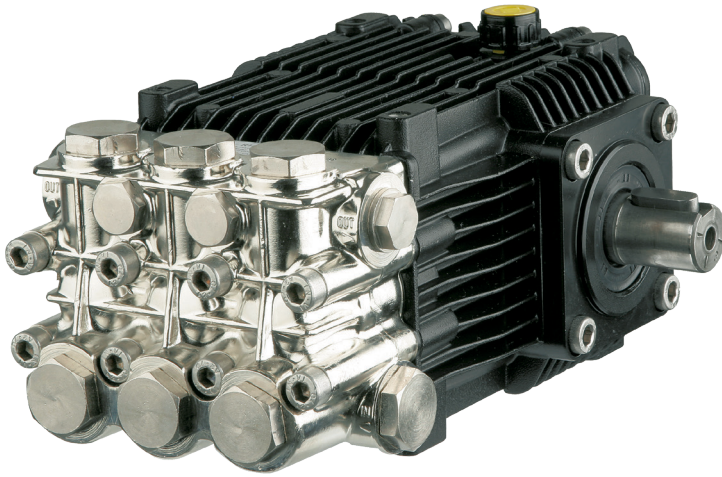
SPECIALTY PUMPS

RKW
JK-BLUE
RKA-J
GRKV



Pumps for specific applications.

Many of these pumps are special order.



Specialty

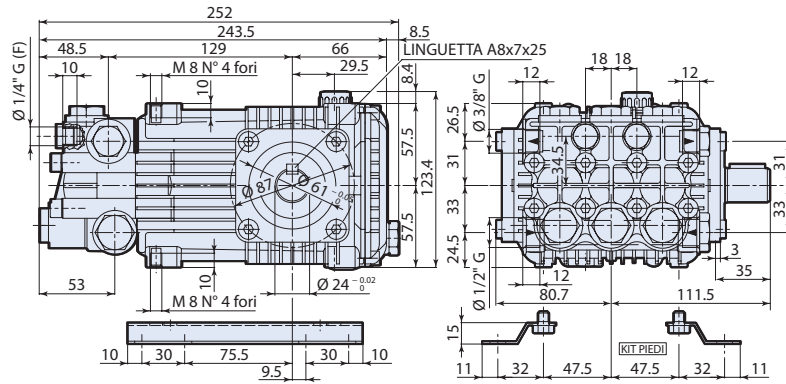
140° F - Max Water Temp
 1/2" F - Inlet Thread
 3/8" F - Discharge Thread
 13.35 oz - Oil Capacity



nickel plated brass head



bronze connecting rods



N version

MOD	MAX	MAX				NET	BORE DIA	STROKE	CRANKSHAFT ID STAMP	LIST PRICE
	l/min	gpm	bar	psi	ebhp	rpm	lbs	mm	mm	\$

RKW 950rpm N version 20mm Solid Shaft

RKW1514N ● ○	15	4	140	2000	5.5	950	21	22	13.8	2	\$1,085.92
--------------	----	---	-----	------	-----	-----	----	----	------	---	------------

SPECIAL PARTS / KITS

MOD	DESCRIPTION	LIST PRICE
AR2729	Rail Kit 5/8" (2 rails & 4 bolts)	\$41.08
AR2633	Rail Kit 1-3/4" (2 rails & 4 bolts)	\$35.18
AR2633H	Rail Kit 2-5/8" (2 rails & 4 bolts)	\$46.40
U-Bracket/Kit	Rail Kit 1-1/2" (2 rails & 4 bolts)	\$76.14
U-Bracket/CW/Kit	Rail Kit 2" (2 rails & 4 bolts)	\$97.15
AR2811	Viton Water Seals Ø 22	\$548.00
AR64516	Oil (16 oz)	\$15.80

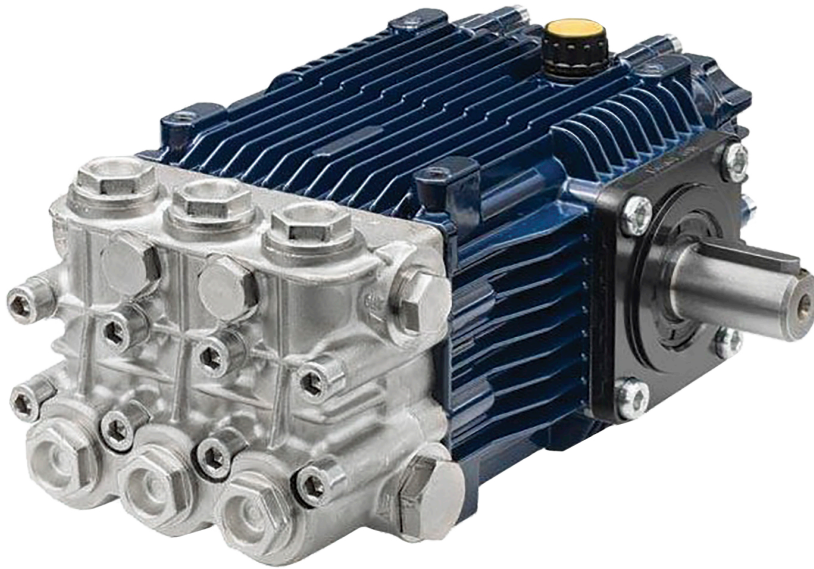
REPAIR KITS

MOD	DESCRIPTION	QTY	LIST PRICE
AR2864	Valves	6	\$72.86
AR2759	Pistons Ø 22	3	\$373.64
AR1888	Water Seals Ø 22	3	\$173.60
AR1855	Oil Seals	7	\$77.34
AR1816	Support Rings Ø 22	3	\$12.00



JK - BLUE

SOLID SHAFT PUMP



Specialty

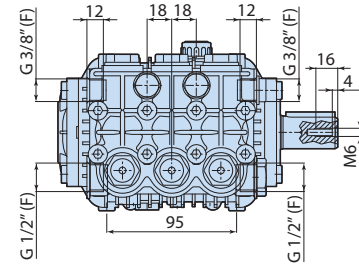
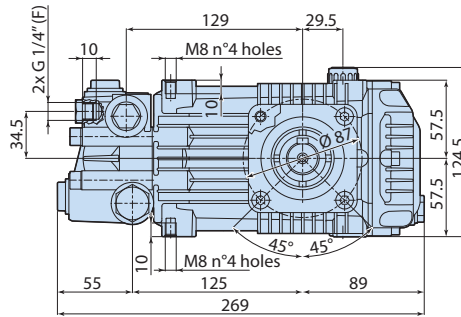
140° F - Max Water Temp
 1/2" F - Inlet Thread
 3/8" F - Discharge Thread
 17 oz - Oil Capacity



nickel plated brass head



bronze connecting rods



N version

MOD	MAX	MAX			BORE DIA	STROKE	CRANKSHAFT ID STAMP	LIST PRICE
	l/min	gpm	bar	psi	ebhp	rpm	lbs	mm
JK 1450rpm N version 24mm Solid Shaft								
JK1120HN	11	2.9	200	3000	5.5	1450	22	18
JK1320HN	13	3.43	200	3000	7.5	1450	22	18
JK1520HN	15	3.96	200	3000	7.5	1450	22	18
JK2115HN	21	5.55	150	2200	7.5	1450	22	22

SPECIAL PARTS / KITS

MOD	DESCRIPTION	LIST PRICE
AR2729	Rail Kit 5/8" (2 rails & 4 bolts)	\$41.08
AR2633	Rail Kit 1-3/4" (2 rails & 4 bolts)	\$35.18
AR2633H	Rail Kit 2-5/8" (2 rails & 4 bolts)	\$46.40
U-Bracket/Kit	Rail Kit 1-1/2" (2 rails & 4 bolts)	\$76.14
AR64516	Oil (16 oz)	\$15.80

REPAIR KITS

MOD	DESCRIPTION	QTY	LIST PRICE
AR2864	Valves	6	\$72.86
AR43402	Pistons ø 18	3	\$98.14
AR46110	Pistons ø 22	3	\$156.66
AR43404	Water Seals ø 18	12	\$39.55
AR46113	Water Seals ø 22	3	\$73.10
AR43403	Oil Seals	7	\$28.72
AR43405	Support Rings ø 18	6	\$19.19
AR46115	Support Rings ø 22	6	\$26.11

RKA-J-F22

SOLID SHAFT PUMP



Features:

- Fits Honda GX390, type K1
- Variation LX2
- 25mm Shaft 2:1 gear reduction

Specialty

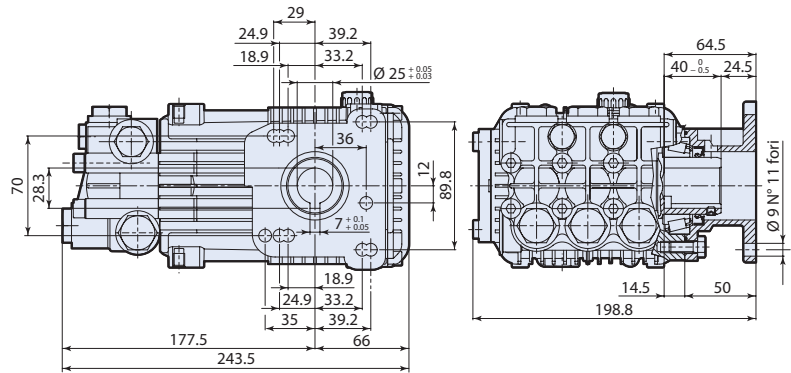
140° F - Max Water Temp
 1/2" F - Inlet Thread
 3/8" F - Discharge Thread
 15 oz - Oil Capacity



nickel plated brass head



bronze connecting-rods



J version + F22

MOD	MAX	MAX		NET	BORE DIA	STROKE	CRANKSHAFT ID STAMP	LIST PRICE
	l/min gpm	bar psi	ebhp rpm	lbs	mm	mm		\$

RKA 1750rpm J version 25mm Shaft for Engine with Internal Gear Box

RKA4G40HJ-F22 ● ○ 15.1 4 275 4000 11.0 1750 20 18 12 4 \$1,085.92

Special Order Pump with long lead times
 Can be stocked with annual quantities

SPECIAL PARTS / KITS

MOD	DESCRIPTION	LIST PRICE
AR2809	Viton Water Seals ø 18	\$292.85
AR42213	Kit for up to 180° F ø 18 High Temp	\$636.29
AR42149	Single Cylinder Pistons Kit ø 18	\$55.64
AR64516	Oil (16 oz)	\$15.80

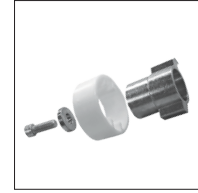
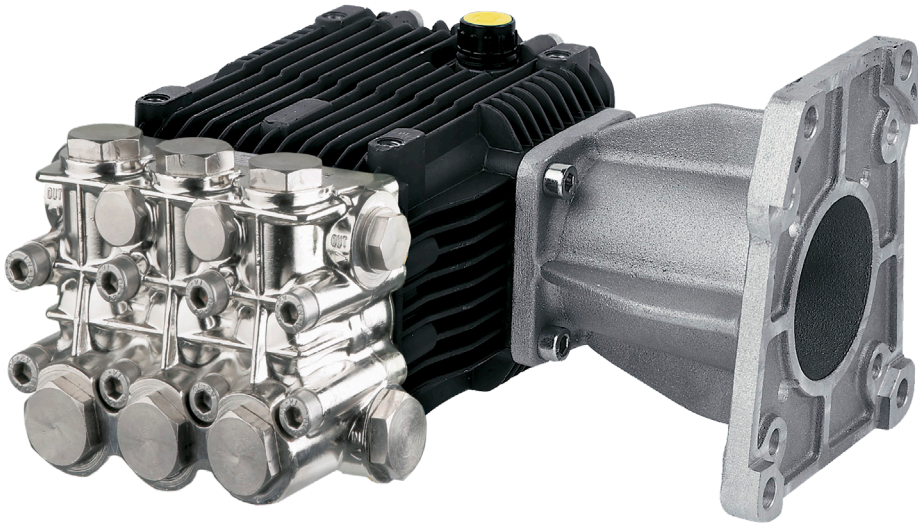
REPAIR KITS

MOD	DESCRIPTION	QTY	LIST PRICE
AR1828	Valves	6	\$69.79
AR2546	Pistons ø 18	3	\$227.40
AR1857	Water Seals ø 18	3	\$136.00
AR1856	Oil Seals	7	\$62.76
AR1829	Support Rings ø 18	3	\$18.41



GRKV-F35

HOLLOW SHAFT PUMP



AR2504

Mounting Hardware
(included with pump)

Features:

- Patented Tapered Hollow Shaft for coupling to tapered shaft engines
- Fits 11-13 HP taper shaft generator engines

Specialty

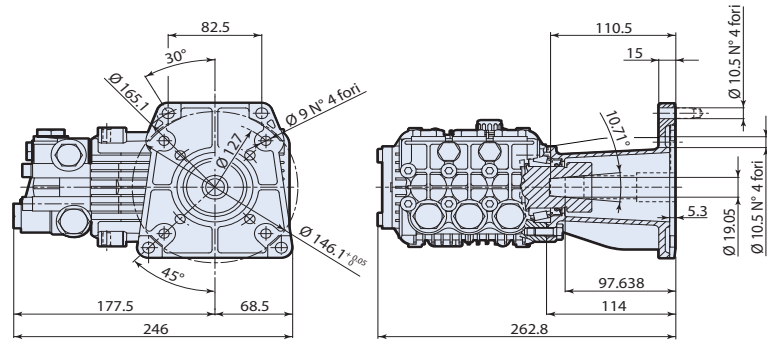
- 140° F - Max Water Temp
- 1/2" F - Inlet Thread
- 3/8" F - Discharge Thread
- 15 oz - Oil Capacity



● nickel plated brass head



○ aluminum connecting rods



V version + F35

MOD	MAX	MAX				NET	BORE DIA	STROKE	CRANKSHAFT ID STAMP	LIST PRICE
	l/min	gpm	bar	psi	ebhp	rpm	lbs	mm	mm	\$

GRKV 3400rpm V version 1" with Tapered Gas Engine Flange													
GRKV4G35HV-F35	●	○	15.1	4	240	3500	9.5	3400	23	18	7	8	\$1,085.92

SPECIAL PARTS / KITS

MOD	DESCRIPTION	LIST PRICE
AR2809	Viton Water Seals $\varnothing 18$	\$292.85
AR42213	Kit for up to 180° F $\varnothing 18$ High Temp	\$636.29
AR2504	Mounting Hardware	\$57.14
AR64516	Oil (16 oz)	\$15.80

REPAIR KITS

MOD	DESCRIPTION	QTY	LIST PRICE
AR1828	Valves	6	\$69.79
AR2546	Pistons $\varnothing 18$	3	\$227.40
AR1857	Water Seals $\varnothing 18$	3	\$136.00
AR1856	Oil Seals	7	\$62.76
AR1829	Support Rings $\varnothing 18$	3	\$18.41



MIST PUMPS

RCAM



Low flow and psi for misting areas.

Bare pumps and pump/motor combinations available.



Misting

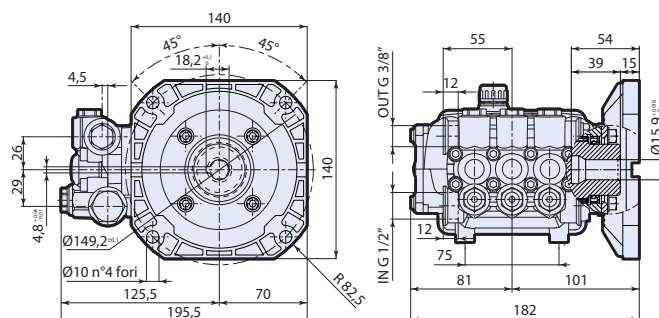
140° F - Max Water Temp
 1/2" F - Inlet Thread
 3/8" F - Discharge Thread
 9.81 oz - Oil Capacity



● brass head



○ aluminum connecting-rods



E version + F8

MOD	MAX	MAX		NET	BORE DIA	STROKE	CRANKSHAFT ID STAMP	LIST PRICE
	l/min	gpm	bar	psi	ebhp	rpm	lbs	mm
RCAM 1750rpm E version 5/8" with Nema 56-C Flange								
RCAM025G15E-F8	0.95	0.25	103	1500	0.3	1750	11	15
RCAM05G15E-F8	1.8	0.5	103	1500	0.5	1750	11	15
RCAM05G15EF8-SX	1.8	0.5	103	1500	0.5	1750	11	15
RCAM1G15E-F8	3.7	1	103	1500	1.0	1750	11	15
RCAM1G15EF8-SX	3.7	1	103	1500	1.0	1750	11	15
RCAM1.5G15E-F8	5.7	1.5	103	1500	1.5	1750	11	15
RCAM2G15E-F8	7.5	2	103	1500	2.0	1750	11	15
RCAM2G15E-F8-SX	7.5	2	103	1500	2.0	1750	11	15

SX - 180° Rotated Shaft Configuration

SPECIAL PARTS / KITS

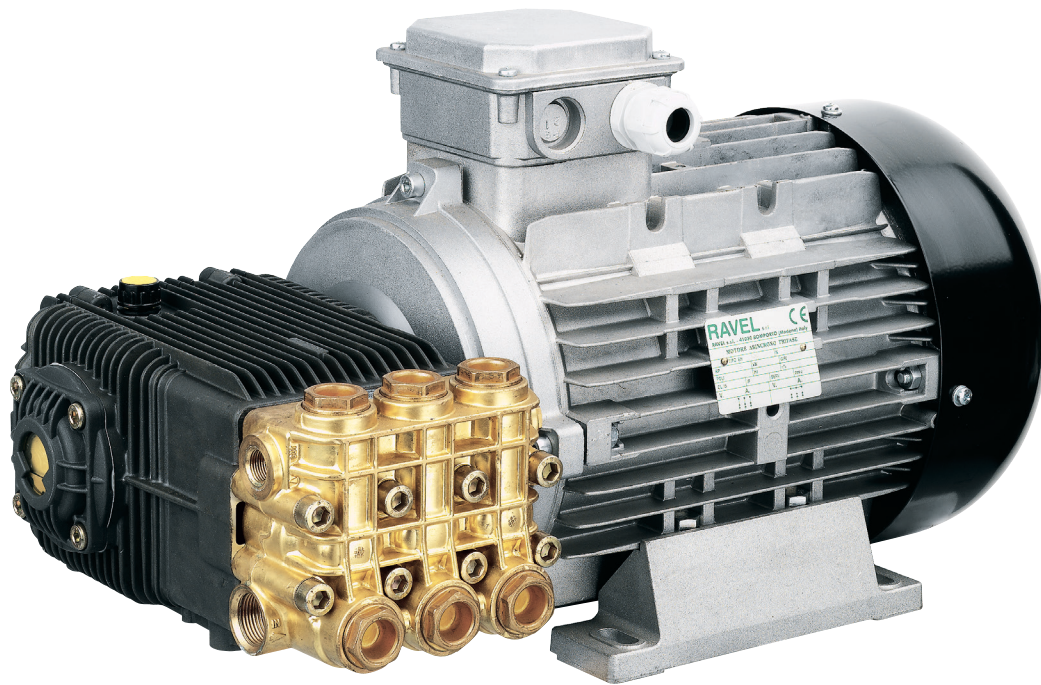
MOD	DESCRIPTION	LIST PRICE
AR64516	Oil (16 oz)	\$15.80

REPAIR KITS

MOD	DESCRIPTION	QTY	LIST PRICE
AR42494	Valves	6	\$81.76
AR42475	Pistons	3	\$119.30
AR42476	Water Seals	3	\$51.10
AR42474	Oil Seals	4	\$30.18
AR42495	Support Rings	20	\$27.42
AR2191	Support Rings	3	\$7.21

ELECTRIC MOTORS

HOLLOW SHAFT
HOLLOW SHAFT W/INTERNAL FLEXIBLE JOINT
SOLID SHAFT
MOTOR-PUMP COMBO



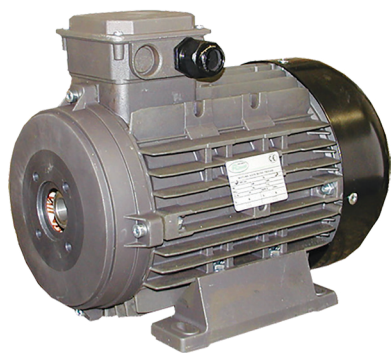
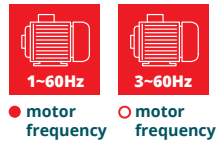
*Hollow Shaft Motors:
Internal joint used to couple high
pressure pumps to motors.*

*Reduced overall dimensions of hollow
shaft motor.*

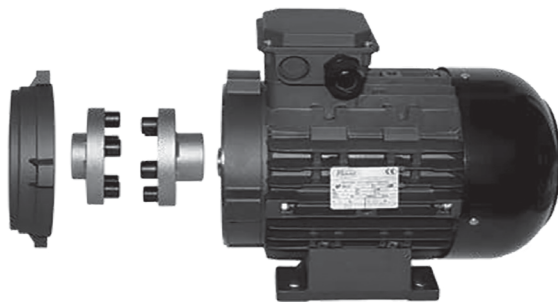
Shield and flange on front side.

*Solid Shaft Motors:
Standard solid shaft configuration.*

ELECTRIC MOTORS



Hollow Shaft



Hollow Shaft
Internal Flexible Coupling



Solid Shaft

Electric

Black Anodized
Enclosure - TEFC
Service Factor - 1.10-1.15
Thermal Protection - On Request

MOD	VOLTAGE	PHASE	HERTZ			FULL LOAD AMPS	FRAME	LIST PRICE
	v		h	hp rpm	lbs			\$

Motor 1750rpm Hollow Shaft 24mm - ID for XM, RK, XW, RG								
R4123	230/400	3	60	7.5 1750	88	21/12.1	112	\$1,446.51

MOD	VOLTAGE	PHASE	HERTZ			FULL LOAD AMPS	FRAME	BEARINGS	LIST PRICE
	v		h	hp rpm	lbs				\$

Motor 1750rpm Hollow Shaft 24mm - Connector Box on Left - Black Anodized - ID for XM, RK, XW, RG									
R1272A	230	1	60	5.0 1750	66	23	H112	KBC6306ZZ/1pc	\$1,608.50
R1266A	230/460	3	60	10 1750	88	28/14	Nema213	KBC6308ZZ/1pc	\$2,625.06
R1245A	230/460	3	60	15 1750	165	37/19	132L	KBC6308ZZ/2pc	\$3,016.52
R1267A	230/460	3	60	20 1750	209	53/27	Nema256	KBC6309ZZ/2pc	\$5,276.26

MOD	VOLTAGE	PHASE	HERTZ			FRAME	LIST PRICE
	v		h	hp rpm	lbs		\$

Motor 1750rpm Hollow Shaft 24mm - With Internal Flexible Joint - ID for XM, RK, XW,							
R2579A	230/460	3	60	7.5 1750	88	H112	\$2,055.46
R2583A	230/460	3	60	10 1750	88	H132S	\$3,109.33
R2584A	230/460	3	60	15 1750	165	H132M	\$3,579.20

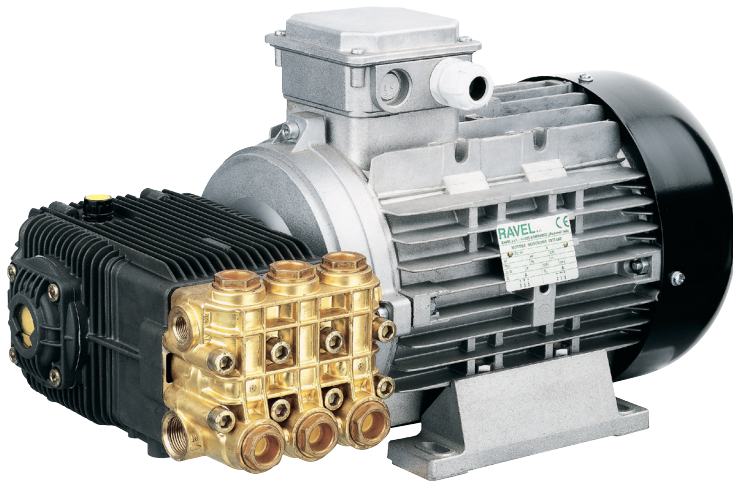
MOD	SHAFT SIZE	MOTOR FACE	VOLTAGE	PHASE	HERTZ			FULL LOAD AMPS	FRAME	BEARINGS	LIST PRICE
			v		h	hp rpm	lbs				\$

Motor 1750rpm Hollow Shaft 24mm - Connector Box on Left - Black Anodized											
R6010	1-1/8"	C	230/460	3	60	7.5 1750	88	22.4/11.2	Nema213	KBC6306ZZ/2pcs	\$2,490.66
R6015	1-3/8"	C	230/460	3	60	7.5 1750	88	22.4/11.2	Nema213	KBC6306ZZ/2pcs	\$2,490.66
R6011	1-3/8"	C	230/460	3	60	10 1750	104	29/15	Nema256	KBC6308ZZ/2pcs	\$2,905.60
R6012	1-3/8"	Std	230/460	3	60	10 1750	104	29/15	Nema213	KBC6308ZZ/2pcs	\$2,962.13
R6013	1-5/8"	Std	230/460	3	60	15 1750	165	37/19	Nema256	KBC6308ZZ/2pcs	\$4,817.60
R6014	1-5/8"	Std	230/460	3	60	20 1750	209	53/27	Nema256	KBC6309ZZ/2pcs	\$5,354.66



ELECTRIC MOTORS

ELECTRIC MOTOR-PUMP UNITS



Electric

8 - Max GPM
2900 - Max PSI



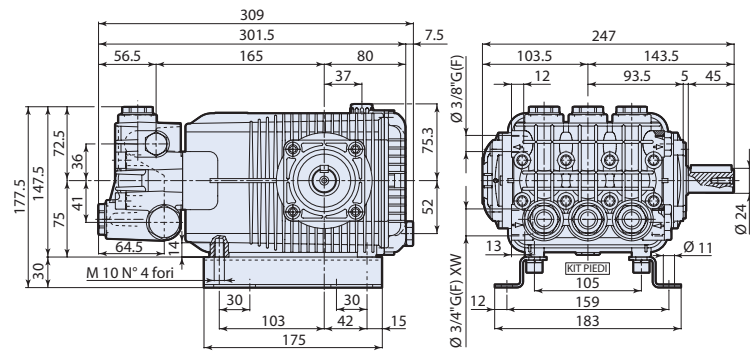
● brass head



○ aluminum connecting rods



○ motor frequency



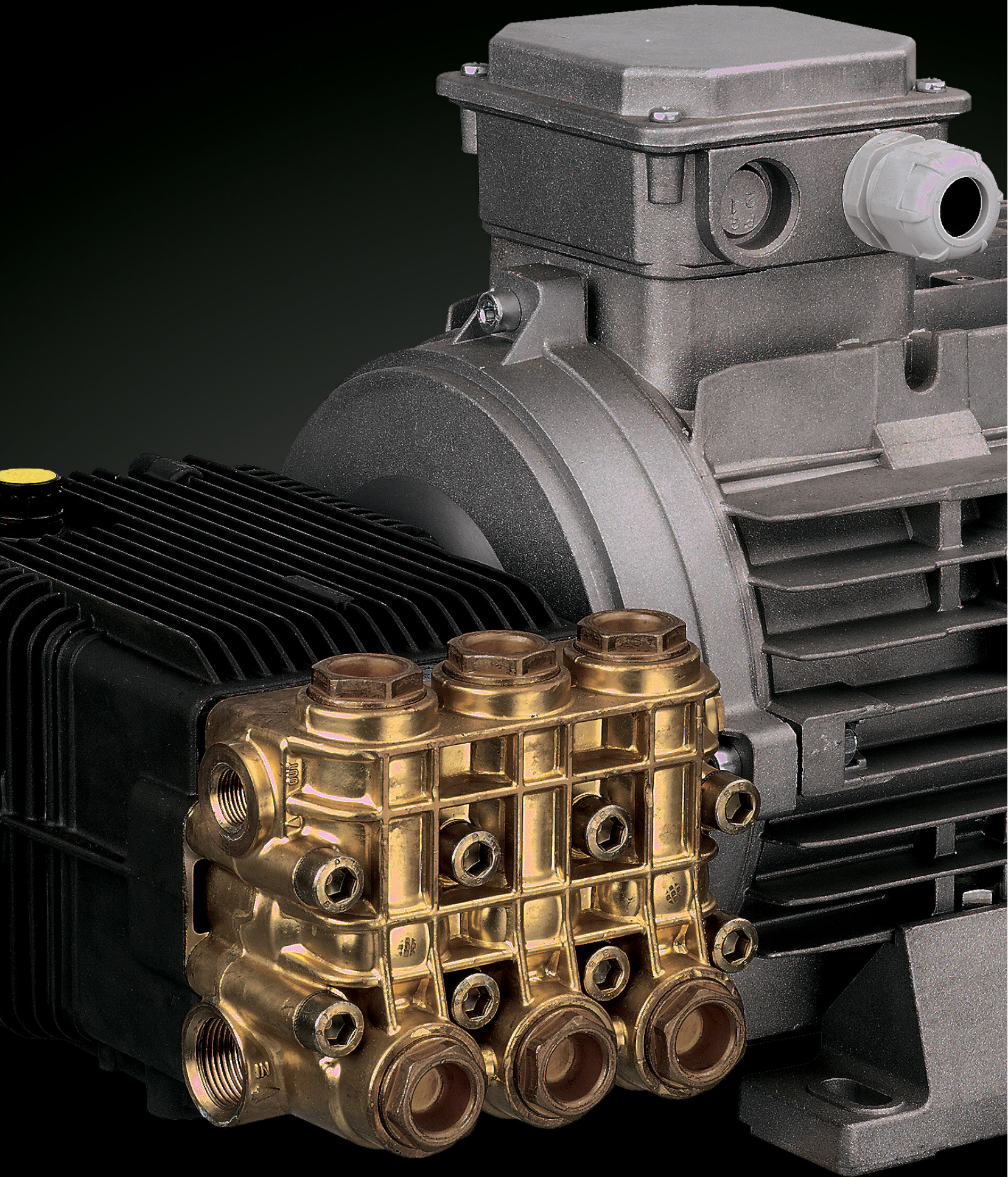
MOD	VOLTAGE	PHASE	HERTZ			FULL LOAD AMPS	FRAME	BEARINGS	LIST PRICE	
	v		h	hp	rpm	lbs			\$	
Motor Pump 1750rpm Hollow Shaft 24mm - Connector Box on Left - Black Anodized										
R1272A ● ○ ○	230	1	60	5.0	1750	66	23	H112	KBC6306ZZ/1pc	\$1,608.50
R1266A ● ○ ○	230/460	3	60	10	1750	88	28/14	Nema213	KBC6308ZZ/1pc	\$2,625.06
R1245A ● ○ ○	230/460	3	60	15	1750	165	37/19	132L	KBC6308ZZ/2pc	\$3,016.52
R1267A ● ○ ○	230/460	3	60	20	1750	209	53/27	Nema256	KBC6309ZZ/2pc	\$5,276.26

SPECIAL PARTS / KITS

MOD	DESCRIPTION	LIST PRICE
AR2778	Viton Water Seals Ø 20	\$250.94
AR2779	Viton Water Seals Ø 22	\$241.48
AR980069	Packing Extractor	\$181.98
AR64516	Oil (16 oz)	\$15.80

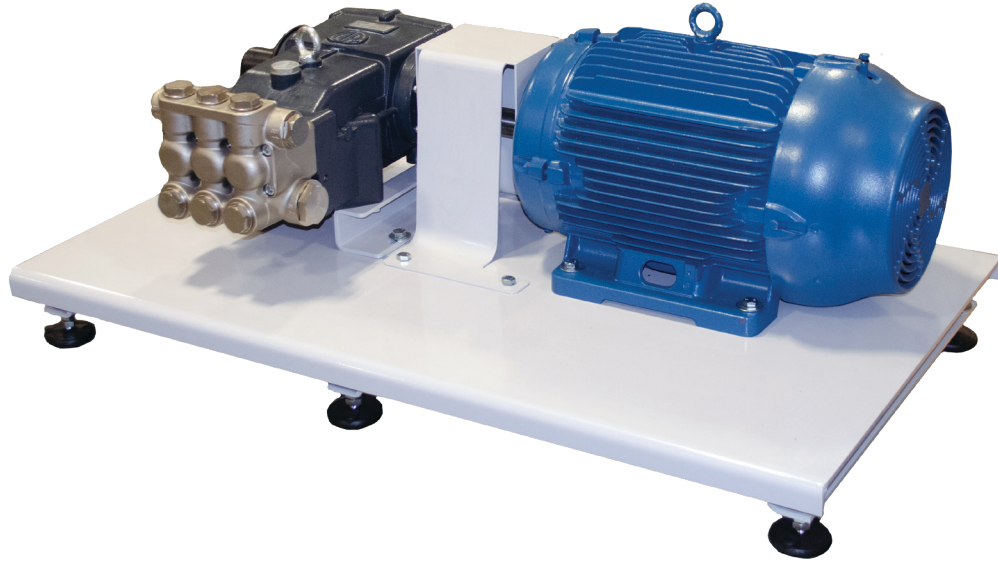
REPAIR KITS

MOD	DESCRIPTION	QTY	LIST PRICE
AR2780	Valves	6	\$156.20
AR2542	Pistons Ø 20	3	\$293.36
AR2782	Water Seals Ø 20	3	\$155.44
AR2781	Oil Seals	6	\$73.50
AR2784	Piston Guides Ø 20	3	\$116.83



SKID UNITS

30 HP MOTOR
40 HP MOTOR
50 HP MOTOR
SKID MOUNT PUMPS



Custom pumping systems configured to meet any application requirements.

Supplied standard with variable frequency drive.

Direct drive motor and pump coupling.

30, 40 and 50 horsepower motors available.

Available from 8 GPM to 40 GPM.

8,000 PSI maximum pressure.

SKID UNITS



3-60Hz
motor frequency

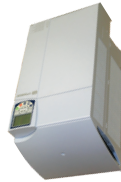
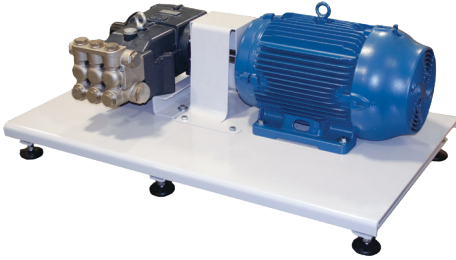


30 HP Motor

MOD	LIST PRICE
	\$

30 HP Motor

- ARRTX30HP-SKID ○ Please Call
- ARRTD30HP-SKID ○ Please Call
- ARRT30HP-SKID ○ Please Call
- WMC300 - 30HP Variable Frequency Drive



Pumps available for the 30, 40 & 50 horsepower skid units.

- Horsepower is dependent on flow and pressure.
- Select pump by model
- Choose your flow (GPM) and pressure (PSI). Calculate horsepower requirement with formula:
 $GPM \times PSI / 1457 = \text{Electric Brake Horse Power.}$

Contact ARNA for assistance and pricing:
1.800.893.4235 / email info@arnorthamerica.com

40 HP Motor

MOD	LIST PRICE
	\$

40 HP Motor

- ARRTX40HP-SKID ○ Please Call
- ARRTD40HO-SKID ○ Please Call
- ARRT40HP-SKID ○ Please Call
- WMC400 - 40HP Variable Frequency Drive



SKID MOUNT pumps

MOD	MAX		MAX		MAX	
	l/min	gpm	bar	psi	ebhp	rpm

RTX - Inlet = 1" Outlet = 1/2"

RTX30.500 - Inlet = 3/4" Outlet = 3/8"

RTX 30.300	30.3	8.0	300	4350	23.9	1450
RTX 30.500	30.3	8.0	500	7250	39.8	1450
RTX 50.300	45.4	12.0	300	4350	35.8	1450
RTX 60.300	53.0	14.0	300	4350	41.8	1450
RTX 70.200	64.4	17.0	200	3000	33.8	1450
RTX 85.150	85.0	21.0	200	3000	31.7	1450
RTX 100.120	90.8	24.0	124	1800	29.6	1450
RTX-SS 100.100N	90.8	24.0	100	1450	23.9	1450

RTD - Inlet = 1 1/2" Outlet = 1"

RTD 80.300	94.6	25.0	200	2900	49.8	1000
RTD 100.200	94.6	25.0	200	2900	49.8	1000
RTD 130.160	121.1	32.0	160	2300	50.5	1000
RTD 130.200H	130	31.7	200	3000	65.1	1000
RTD 160.130	151.4	40.0	130	1850	50.8	1000

RTP - Inlet = 3/4" Outlet = 1/2"

RTP 30N	30.0	7.9	500	7250	39.3	1000
RTP 38N	38.0	10.0	500	7250	49.8	1000
RTP 30.60N	30.0	7.9	600	8702	47.2	1000

RTF - Inlet = 1 1/2" Outlet = 1"

RTF 135N	135.0	36.0	100	1500	37.1	800
RTF 150N	150.0	40.0	100	1500	41.2	800

RTJ - Inlet = 1 1/2" Outlet = 1"

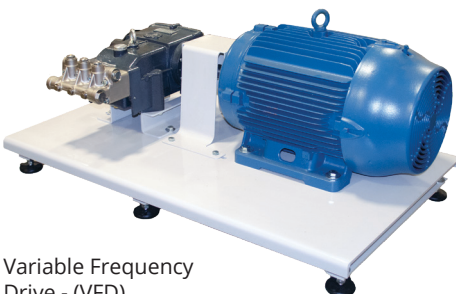
RTJ 70	70.0	18.5	275	4000	50.8	1000
--------	------	------	-----	------	------	------

50 HP Motor

MOD	LIST PRICE
	\$

50 HP Motor

- ARRTD50HP-SKID ○ Please Call
- ARRT50HP-SKID ○ Please Call
- WMC500 - 50HP Variable Frequency Drive



Variable Frequency Drive - (VFD)

PUMP PACKAGES

RMW
RMV
SJV
RCV

RSV
RRV
SXMV
RKV



Variety of pumps to suit a wide range of engines and motors.

All packages have an integrated unloader or an external unloader installed.

Time and cost effective when doing in-house pump replacements.

Easy to sell to end user. No need to look up or sell multiple components.

Ecommerce - Pre-boxed


PUMP PACKAGES



MOD	DESCRIPTION	LIST PRICE
RMW22G24-EZ-PKG	<ul style="list-style-type: none"> • Pump: RMW22G24-EZ Max PSI: 2400 Max GPM: 2.2 RPM: 3400 7/8" Hollow Shaft Vertical Gas Engine Flange • Thermal relief valve: TPP140-1/4A • Detergent Hose w/Filter: AR1269120 	\$284.47



MOD	DESCRIPTION	LIST PRICE
RMW22G24SX-PKG	<ul style="list-style-type: none"> • Pump: RMW22G24-EZ-SX Max PSI: 2400 Max GPM: 2.2 RPM: 3400 7/8" Hollow Shaft EZ Start Valve Vertical Gas Engine Flange Rotated 180° from Standard • Thermal Relief Valve: TPP140-1/4A • Detergent Hose w/Filter: AR1269120 	\$284.47




MOD	DESCRIPTION	LIST PRICE
RMV25G24-PKG	<ul style="list-style-type: none"> • Pump: RMV25G24D Max PSI: 2400 Max GPM: 2.5 RPM: 3400 3/4" Hollow Shaft Gas Engine Flange • Thermal Relief Valve: TPP140-1/4A • Detergent Hose w/Filter: AR1269120 	\$284.47




MOD	DESCRIPTION	LIST PRICE
RMW25G25-PKG	<ul style="list-style-type: none"> • Pump: RMW25G25D Max PSI: 2500 Max GPM: 2.5 RPM: 3400 7/8" Hollow Shaft Vertical Gas Engine Flange • Thermal Relief Valve: TPP140-1/4A • Detergent Hose w/Filter: AR1269120 	\$407.22




MOD	DESCRIPTION	LIST PRICE
RMV25G30D-EZ-PKG	<ul style="list-style-type: none"> • Pump: RMV25G30D-EZ Max PSI: 3000 Max GPM: 2.5 RPM: 3400 3/4" Hollow Shaft Gas Engine Flange • Thermal Relief Valve: TPP140-1/4A • Detergent Hose w/Filter: AR1269120 	\$402.50




MOD	DESCRIPTION	LIST PRICE
SJV25G27-PKG	<ul style="list-style-type: none"> • Pump: SJV25G27D-F7 Max PSI: 2700 Max GPM: 2.5 RPM: 3400 3/4" Hollow Shaft F7 - Gas Engine Flange • Thermal Relief Valve: TPP140-1/4A • Detergent Hose w/Filter: AR1269120 • Garden Hose Adapter: AR1264750 • Quick Connect Coupler: AL-QC3/8B 	\$613.79



MOD	DESCRIPTION	LIST PRICE
SJV3G27-PKG	<ul style="list-style-type: none"> • Pump: SJV3G27D-F7 Max PSI: 2700 Max GPM: 3 RPM: 3400 3/4" Hollow Shaft F7 - Gas Engine Flange • Thermal Relief Valve: TPP140-1/4A • Garden Hose Adapter: AR1264750 • Quick Connect Coupler: AL-QC3/8B 	\$613.79



MOD	DESCRIPTION	LIST PRICE
RCV3G27-PKG	<ul style="list-style-type: none"> • Pump: RCV3G27D-F7V2I Max PSI: 2700 Max GPM: 3 RPM: 3400 3/4" Hollow Shaft F7 - Gas Engine Flange Mini-Matic Unloader • Thermal Relief Valve: TPP140 • Detergent Hose w/Filter: AR1269120 • Quick Connect Coupler: AL-QC3/8B • 3/8" M Nipple: AR7365 • 3/4" F Nut: AR7366 • Inlet Filter: AR7369 	\$755.43





PUMP PACKAGES

MOD	DESCRIPTION	LIST PRICE
RSV3G30-PKG	<ul style="list-style-type: none"> • Pump: RSV3G30D-F25EZ Max PSI: 3000 Max GPM: 3 RPM: 3400 3/4" Hollow Shaft EZ Start Valve F7 - Gas Engine Flange • 3/8" M Nipple: AR7365 • 3/4" F Nut: AR7366 • Inlet Filter: AR7369 • Detergent Hose w/Filter: DETHOSE-FIL • Quick Connect Coupler: AL-QC3/8B 	\$716.47



MOD	DESCRIPTION	LIST PRICE
RSV3G34-PKG	<ul style="list-style-type: none"> • Pump: RSV3G34-PKG Max PSI: 3400 Max GPM: 3 RPM: 3400 1" Hollow Shaft F40 - Gas Engine Flange • 3/8" M Nipple: AR7365 • 3/8" F Nut: AR7366 • Inlet Filter: AR7369 • Detergent Hose w/Filter: DETHOSE-FIL • Quick Connect Coupler: AL-QC3/8B 	\$755.43



MOD	DESCRIPTION	LIST PRICE
RRV4G40-VRT-PKG	<ul style="list-style-type: none"> • Pump: RRV4G40HD-F24 Max PSI: 4000 Max GPM: 4 RPM: 3400 1" Hollow Shaft VRT3-310EZ Unloader F24 - Gas Engine Flange • Thermal Relief Valve: TPP140 • Quick Coupling Plug: AL-PLUG3/8MB • Fully Plumbed • 3ft. of Bypass Hose 	\$927.75




MOD	DESCRIPTION	LIST PRICE
RSV4G40-PKG	<ul style="list-style-type: none"> • Pump: RSV4G40HDF40EZ Max PSI: 4000 Max GPM: 4 RPM: 3400 1" Hollow Shaft EZ Start Valve F40 - Gas Engine Flange • 3/8" M Nipple: AR7365 • 3/8" F Nut: AR7366 • Inlet Filter: AR7369 • Detergent Hose w/Filter: DETHOSE-FIL • Quick Connect Coupler: AL-QC3/8B 	\$794.38




MOD	DESCRIPTION	LIST PRICE
RRV4G40-PKG	<ul style="list-style-type: none"> • Pump: RRV4G40HD-F24 Max PSI: 4000 Max GPM: 4 RPM: 3400 1" Hollow Shaft F24 - Gas Engine Flange • Thermal Relief Valve: TPP140 • 3/4" F Nut: AR7366 • 1/2" M Nipple: AR7368 • Inlet Filter: AR7369 • Gymatic Unloader: AR20242 • Quick Connect Coupler: AL-QC3/8B 	\$1,013.92




MOD	DESCRIPTION	LIST PRICE
SXMV4G40-PKG	<ul style="list-style-type: none"> • Pump: SXMV4G40DF40VR35 Max PSI: 4000 Max GPM: 4 RPM: 3400 1" Hollow Shaft VR35 Unloader F40 - Gas Engine Flange • Thermal Relief Valve: TPP140 • Garden Hose Adapter: AR1264750 	\$1,050.52



MOD	DESCRIPTION	LIST PRICE
RKV4G37-PKG	<ul style="list-style-type: none"> • Pump: RKV4G37DF24VR35 Max PSI: 3700 Max GPM: 4 RPM: 3400 1" Hollow Shaft VR35 Unloader F24 - Gas Engine Flange • Thermal Relief Valve: TPP140 • Garden Hose Adapter: AR1264750 • 3/8" Quick Coupling Plug: AL-PLUG3/8B 	\$1,180.35



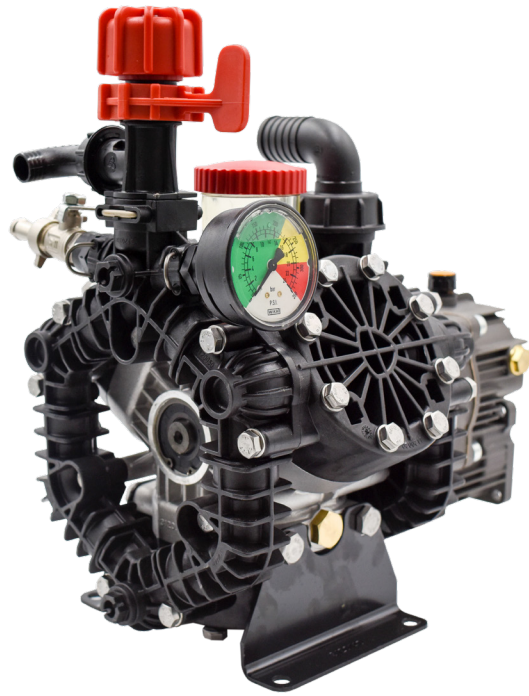
MOD	DESCRIPTION	LIST PRICE
RKV4G40-PKG	<ul style="list-style-type: none"> • Pump: RKV4G40HDF24VR Max PSI: 4000 Max GPM: 4 RPM: 3400 1" Hollow Shaft VR35 Unloader F24 - Gas Engine Flange • Thermal Relief Valve: TPP14 • 1/2" Garden Hose Adapter w/Spring: AR7300 	\$1,274.78





SOFT WASH DIAPHRAGM PUMPS

AR20LFP
AR25LFP
AR45LFP
AR60LFP
AR80LFP



Chemical Resistant Construction:

- Polypropylene Manifold
- 316 Stainless Steel
- Built-in Control Unit

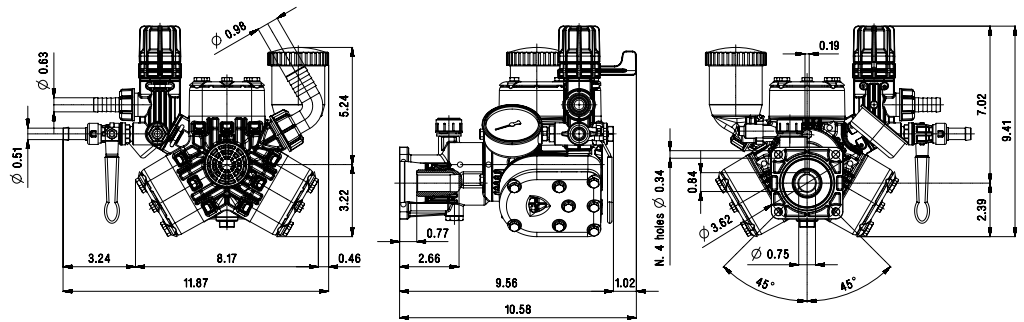
AR20LFP & AR25LFP

SOFT WASH PUMP
GAS ENGINE UNIT



Low Pressure

140° F - Max Water Temp
1" - Suction
1/2" HB - Outlet



Liquid Fertilizer Pesticide

MOD	MAX		MAX		MAX		NET	LIST PRICE
	l/min	gpm	bar	psi	hp	rpm	lbs	\$
AR20LFP/AR25LFP 1450rpm Semi-Hydraulic Three-Diaphragm Pump								
AR20LFP-GR3/4-GCI	20.0	5.3	20	290	1.0	1450	16	\$1,592.53
AR25LFP-GR3/4-GCI	24.3	6.4	20	290	1.1	1450	16	\$1,645.44

*3/4" hollow shaft for direct-mount to gas engine

DIAPHRAGM KITS

MOD	DESCRIPTION	LIST PRICE
AR46561	BlueFlex™	\$79.94
AR46563	Viton	\$375.74

OIL

MOD	DESCRIPTION	LIST PRICE
AR64532D	Oil	\$17.09
AR64532D-C	Case (6) Oil	\$99.19

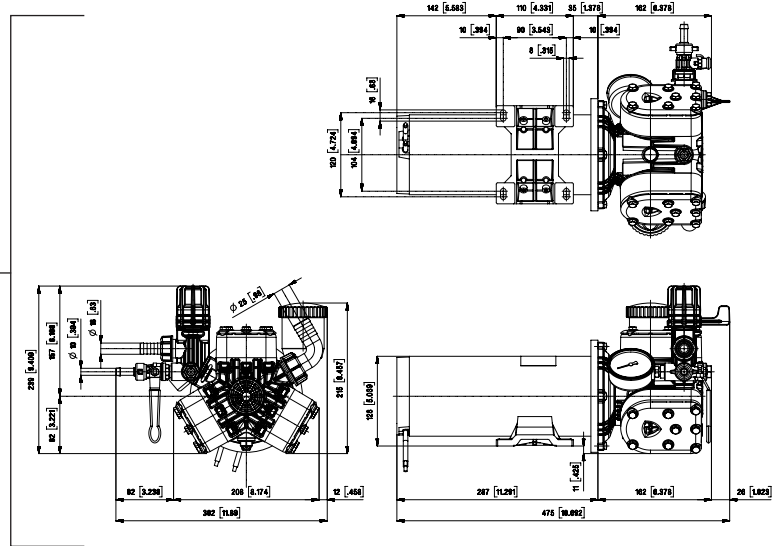
VALVE KITS

MOD	DESCRIPTION	LIST PRICE
AR46564	Valves (AR20)	\$194.34
AR46565	Valves (AR25)	\$313.75



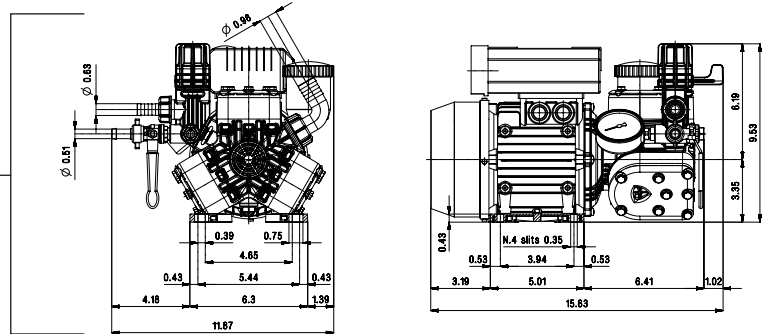
AR20LFP & AR25LFP

SOFT WASH PUMP ELECTRIC ENGINE UNIT



Low Pressure

140° F - Max Water Temp
1" - Suction
1/2" HB - Outlet



Liquid Fertilizer Pesticide

MOD	MAX	MAX	MAX					LIST PRICE
	l/min	gpm	bar	psi	hp	rpm	lbs	\$
AR20LFP/AR25LFP 1450rpm Semi-Hydraulic Three-Diaphragm Pump								
AR20LFP-GCI-12VDC	20.0	5.3	13	200	0.7	1450	45	\$2,888.39
AR25LFP-GCI-12VDC	24.3	6.4	10	150	0.7	1450	45	\$2,953.63
AR20LFP-GCI-24VDC	20.0	5.3	13	200	0.7	1450	45	\$2,888.39
AR25LFP-GCI-24VDC	24.3	6.4	10	150	0.7	1450	45	\$2,953.63
AR25LFP-EM115V	24.3	6.4	15	290	1.3	1725	45	\$2,743.37

DIAPHRAGM KITS

MOD	DESCRIPTION	LIST PRICE
AR46561	BlueFlex™	\$79.94
AR46563	Viton	\$375.74

OIL

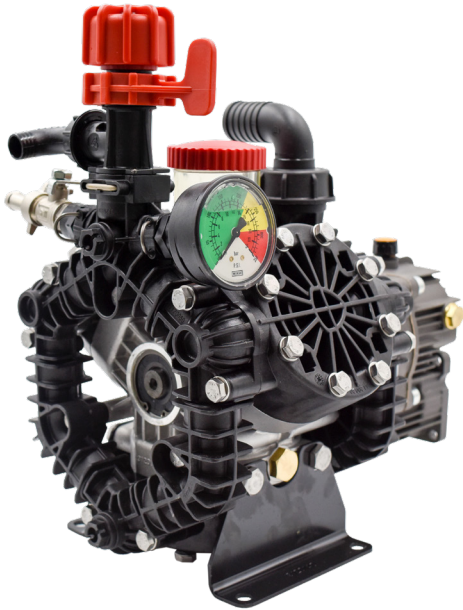
MOD	DESCRIPTION	LIST PRICE
AR64532D	Oil	\$17.09
AR64532D-C	Case (6) Oil	\$99.19

VALVE KITS

MOD	DESCRIPTION	LIST PRICE
AR46564	Valves (AR20)	\$194.34
AR46565	Valves (AR25)	\$313.75

AR45LFP

SOFT WASH PUMP

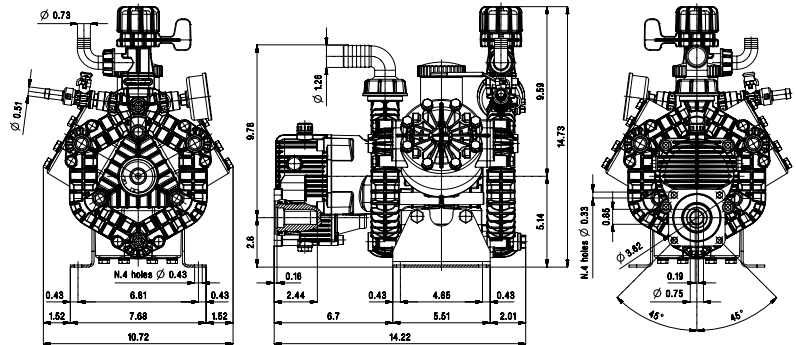


Low Pressure

140° F - Max Water Temp
 1 1/4" - Inlet
 1/2" HB - Outlet



viton
o-rings



Liquid Fertilizer Pesticide

MOD	MAX l/min	MAX gpm	MAX bar	MAX psi	MAX hp	MAX rpm	MAX lbs	MAX LIST PRICE
-----	--------------	------------	------------	------------	-----------	------------	------------	-------------------

AR45LFP 550rpm Semi-Hydraulic Three-Diaphragm Pump

AR45LFP-GR-GCI	43.3	11.4	20	290	2.1	550	40	\$2,264.82
----------------	------	------	----	-----	-----	-----	----	------------

Model comes standard with Viton diaphragms
 *3/4" hollow shaft for direct-mount to gas engine

DIAPHRAGM KITS

MOD	DESCRIPTION	LIST PRICE
AR43239	BlueFlex™	\$153.51
AR43238	Viton	\$456.48

VALVE KITS

MOD	DESCRIPTION	LIST PRICE
AR42816	Valves	\$224.50

OIL

MOD	DESCRIPTION	LIST PRICE
AR64532D	Oil	\$17.09
AR64532D-C	Case (6) Oil	\$99.19

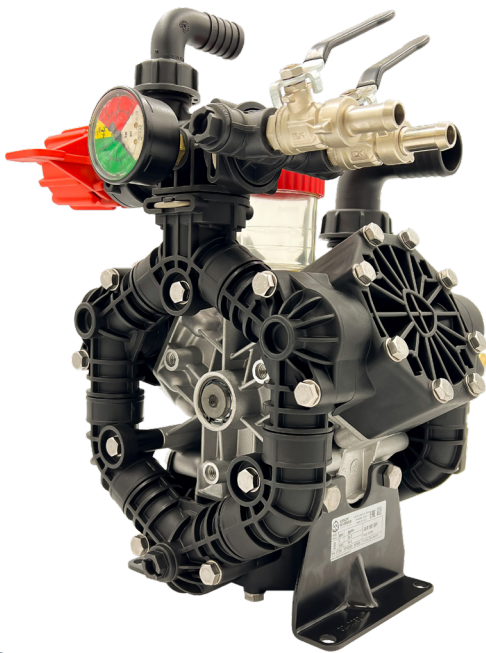
O-RING KITS

MOD	DESCRIPTION	LIST PRICE
AR43081	O-Rings	\$85.03



AR60LFP

SOFT WASH PUMP

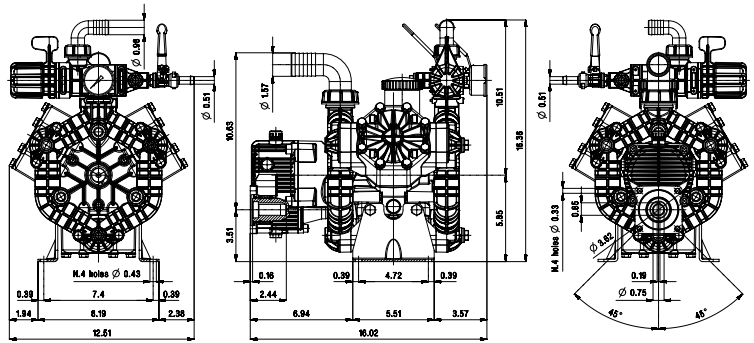


Low Pressure

140° F - Max Water Temp
 1-1/2" - Suction
 1/2" HB - Outlet (2)



viton
o-rings



Liquid Fertilizer Pesticide

MOD	MAX	MAX			LIST PRICE			
	l/min	gpm	bar	psi	hp	rpm	lbs	\$

AR60LFP 550rpm Semi-Hydraulic Three-Diaphragm Pump

AR60LFP-GR-GCI	59.1	15.6	20	290	2.14	550	40	\$2,813.66
----------------	------	------	----	-----	------	-----	----	------------

Model comes standard with Viton diaphragms
 *3/4" hollow shaft for direct-mount to gas engine

DIAPHRAGM KITS

MOD	DESCRIPTION	LIST PRICE
AR43247	BlueFlex™	\$146.80
AR43246	Viton	\$451.13

VALVE KITS

MOD	DESCRIPTION	LIST PRICE
AR43138	Valves	\$461.82

OIL

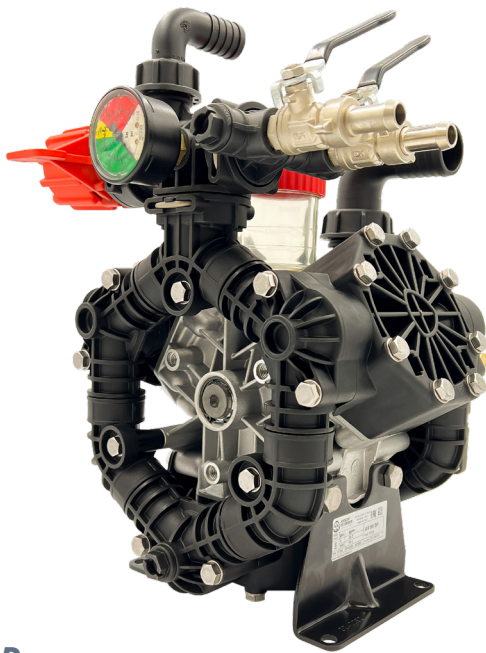
MOD	DESCRIPTION	LIST PRICE
AR64532D	Oil	\$17.09
AR64532D-C	Case (6) Oil	\$99.19

O-RING KITS

MOD	DESCRIPTION	LIST PRICE
AR43128	O-Rings	\$141.11



AR80LFP

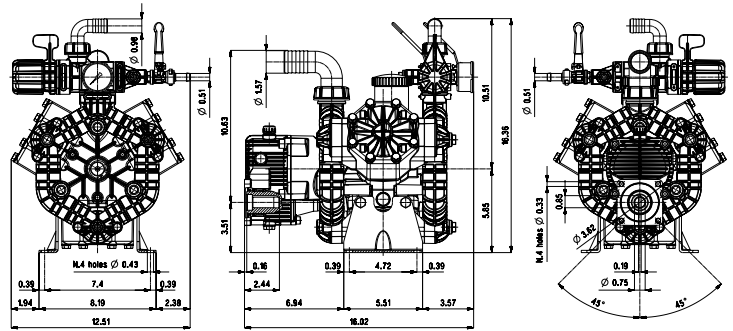


Low Pressure

140° F - Max Water Temp
 1 1/2" - Suction
 1/2" HB - Outlet (2)



viton
o-rings



Liquid Fertilizer Pesticide

MOD	MAX		MAX		hp	rpm	lbs NET	LIST PRICE
	l/min	gpm	bar	psi				
AR80LFP 550rpm Semi-Hydraulic Three-Diaphragm Pump								
AR80LFP-GR-GCI	76.4	20.2	20	290	3.4	550	46	\$2,915.05

Model comes standard with Viton diaphragms
 *3/4" hollow shaft for direct-mount to gas engine

DIAPHRAGM KITS

MOD	DESCRIPTION	LIST PRICE
AR43247	BlueFlex™	\$146.80
AR43246	Viton	\$451.13

VALVE KITS

MOD	DESCRIPTION	LIST PRICE
AR43138	Valves	\$461.82

OIL

MOD	DESCRIPTION	LIST PRICE
AR64532D	Oil	\$17.09
AR64532D-C	Case (6) Oil	\$99.19

O-RING KITS

MOD	DESCRIPTION	LIST PRICE
AR43128	O-Rings	\$141.11



AGRICULTURE ACCESSORIES



SPRAY GUNS



MOD	 psi	gpm	STD. NOZZLE SIZE mm	INLET in	LENGTH in	LIST PRICE \$
-----	--	-----	------------------------	-------------	--------------	------------------

Pistol Grip Adjustable Spray Guns

Features ergonomic grip for one-handed operation. Easy to adjust spray pattern from straight to wide cone using the thumb lever. Diffuser creates small droplets for complete spray coverage.

a AGSG3000A *	725	10	3.0	1/2" HB w/Swivel	-	\$160.91
b AGSG2000A *	725	10	3.0	1/2" HB w/Swivel	-	\$216.11
c AGSG6000A	725	10	2.3	1/2" HB w/Swivel	-	\$264.50

Pistol Grip Adjustable Spray Guns

Turbo Heavy Duty Metal Spray Guns feature ergonomic grip for one-handed operation. Used for spraying lawn, turf, ornamental bushes and trees. Easy to adjust spray pattern from straight to wide cone. Diffuser can be adjusted to create small droplets for complete spray coverage.

d AGSG7000A	725	10	3.0	1/2" HB w/Swivel	-	\$231.44
--------------------	-----	----	-----	------------------	---	----------

AG No-Drip Adjustable Pattern Spray Guns

For heavy duty agricultural spraying with shutoff at the ceramic nozzle for no-drip spraying.

e AG35.901.16	580	8	2.3	3/8" Hose Barb	13"	\$144.68
f AG35.901.169	580	8	2.3	3/8" Hose Barb	22"	\$160.17

Long Range Adjustable Spray Gun

For spraying trees. Easy to adjust spray pattern from straight to wide cone using front control handle for complete tree and plant coverage.

g AGSG-TURBINE *	870	24	3.0	1/2" HB w/Swivel	-	\$284.58
h AGSG-LR-TURBINE *	870	30	4.0	1/2" HB w/Swivel	-	\$363.36

Long Range Adjustable Spray Gun

NEW Turbine Evolution Heavy Duty Long Range Spray Gun for spraying orchards, vineyards, greenhouses and trees. Easy to adjust spray pattern from straight to wide cone using front control handle. Diffuser creates small droplets for complete plant coverage.


i AGSG5500A *	725	10	4.0	1/2" HB w/Swivel	-	\$386.84
----------------------	-----	----	-----	------------------	---	----------

Long Range Adjustable Spray Gun

NEW Foam Spray Guns for fire fighting and high volume pressure washing. Easy to adjust spray pattern from straight to cone using front control handle. Diffuser creates small droplets for creating foam mist. Innovative servo-assisted trigger for easy operation.

j AGSG-FOAM2 *	3600	13	4.5	1/2" NPT(M) w/Swivel	-	\$729.59
-----------------------	------	----	-----	----------------------	---	----------

* - Additional nozzle sizes available

 - Braglia



FERTILIZATION



Turf and Lawn Care

PESTICIDE



Pest Control

SANITIZATION



Poultry Barn Cleaners

BlueFlex®



BlueFlex, Heavy Duty & Long Life

Newly designed long-life diaphragms for resistance to spraying chemicals and aggressive liquid fertilizers.

SANITIZATION & WATER



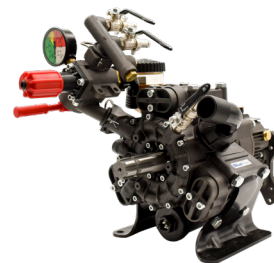
High Flow Cleaning

WATER PRESSURE TESTING



Hydrostatic Testing

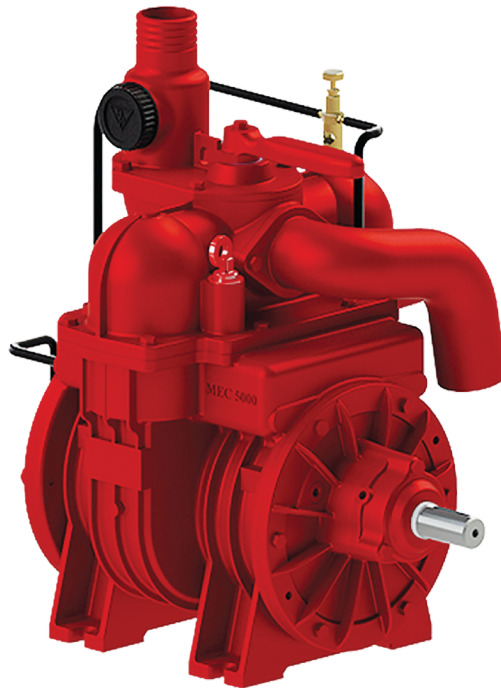
INSECT & DISEASE CONTROL



Tree and Shrub Care

ROTARY VANE VACUUM PUMPS

MEC
MEC GAS ENGINE
BALLAST
FAN
KPS
TURNKEY SYSTEMS



Battioni Conversion Codes

Versions: M, P, D, H ————— *M - Driven through Cardan Shaft 540 rpm*

P - Driven through Pully or Belts

LA or LF: Lubrication type

D - Driven through Cardan Shaft 1000 rpm (DFR)

H - Driven through Hydraulic Motor (HFR)

SX = CCW counter clockwise rotation

DX = CW clockwise rotation

UL = 2 ports with 2 revolving elbows

DU = 3 ports

D76 = Diameters of the elbows D76: 3"

D51 = Diameters of the elbows

LL = Long life vanes

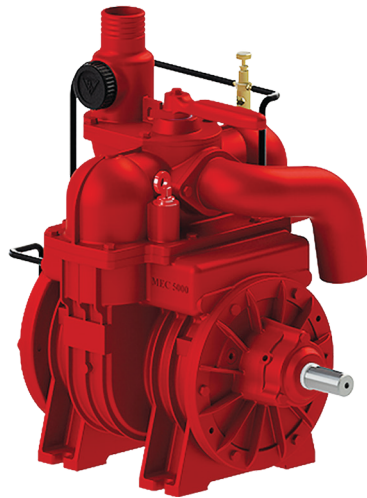
STD = Standard vanes

EM

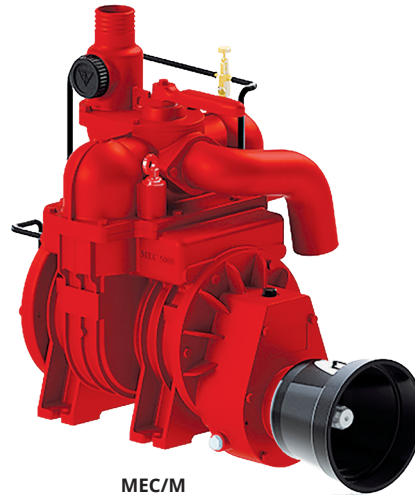
KTM - PFR = Driven through pulleys and belts, particularly for application on trucks

AIR COOLING

ROTARY VANE VACUUM PUMP



MEC/P



MEC/M

MEC

600/1400 Max RPM
36.26 Max Absolute (relative) Pressure



MOD	CODE	MAX		MAX		GEOMETRIC CAPACITY	NET	LIST PRICE
		l/min	cfm	rpm	psi			
MEC air cooling pump								
MEC2000	P LA DX UL D51 EM	2750	97	600/1400	36.26	726.47	165	Please Call
MEC2000SX	P LA SX UL D51 EM	2750	97	600/1400	36.26	726.47	165	Please Call
MEC4000	P LA DX UL D51 EM	4350	154	600/1400	36.26	1149.15	221	Please Call
MEC4000SX	P LA SX UL D51 EM	4350	154	600/1400	36.26	1149.15	221	Please Call
MEC4000LF	P FL DX UL D51 EM	4350	154	600/1400	36.26	1149.15	221	Please Call
MEC5000*	P LA DX UL D51 EM	6150	217	600/1400	36.26	1624.66	287	Please Call
MEC5000SX	P LA SX UL D51 EM	6150	217	600/1400	36.26	1624.66	287	Please Call
MEC5000MSX	M LF SX UL 76 STD	6150	217	600/1400	36.26	1624.66	287	Please Call
MEC6500*	P LA DX UL D76 EM	7000	247	600/1400	36.26	1849.2	326	Please Call
MEC6500SX	P LA SX UL D76 EM	7000	247	600/1400	36.26	1849.2	326	Please Call
MEC6500MSX	M LF SX UL 76 EM	7000	247	600/1400	36.26	1849.2	326	Please Call
MEC8000*	P LA DX UL D76 EM	8100	286	600/1400	36.26	2139.79	353	Please Call
MEC8000SX	P LA SX UL D76 EM	8100	286	600/1400	36.26	2139.79	353	Please Call
MEC8000MSX	M LF SX UL 76 EM	8100	286	600/1400	36.26	2139.79	353	Please Call

*Units come with the over pressure valve installed



KITS

MOD	DESCRIPTION	LIST PRICE
BP6010201064	MEC2000 LL KIT	Please Call
BP6010201061	MEC4000 LL KIT	Please Call
BP6010201058	MEC5000 LL KIT	Please Call
BP6010201006	MEC5000 STD KIT	Please Call

LL = Kevlar Vanes
STD = Standard Vane

KITS

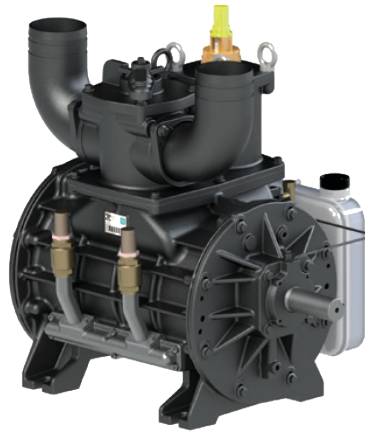
MOD	DESCRIPTION	LIST PRICE
BP6010201059	MEC6500 LL KIT	Please Call
BP6010201007	MEC6500 STD KIT	Please Call
BP6010201060	MEC8000 LL KIT	Please Call
BP6010201008	MEC8000 STD KIT	Please Call

LL = Kevlar Vanes
STD = Standard Vane



AIR COOLING

ROTARY VANE VACUUM PUMP



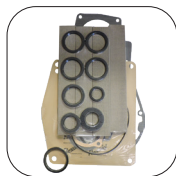
Ballast

600/1000 Max RPM
 36.26 Max Absolute (relative) Pressure
 -13.78 Vacuum without Depression Valve Fitted
 -11.6 Vacuum with Depression Valve Fitted

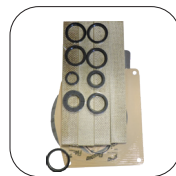


MOD	CODE	MAX		MAX		lb NET	LIST PRICE
		l/min	cfm	rpm	psi		
BALLAST Air Cooling Pump							
BALLAST 9000	P LA DX UL D76 EM	9,030	319	600 / 1000	36.26	320	Please Call
BALLAST 9000SX	P LA SX UL D76 EM	9,030	319	600 / 1000	36.26	320	Please Call
BALLAST 11000	P LA DX UL D76 EM	11,137	393	600 / 1000	36.26	353	Please Call
BALLAST 11000SX	P LA SX UL D76 EM	11,137	393	600 / 1000	36.26	353	Please Call
BALLAST13500	P LA DX UL D76 EM	13,845	489	600 / 1000	36.26	362	Please Call
BALLAST 16000	P LA DX UL D100 EM	15,210	537	600 / 1000	36.26	462	Please Call
BALLAST 16000SX	P LA SX UL D100 EM	15,210	537	600 / 1000	36.26	462	Please Call

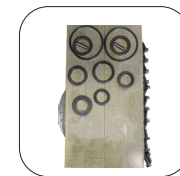
*Units come with the over pressure valve installed



Standard Vane Kit



Long Life Vane Kit



Kevlar® Long Life Vane Kit

*Standard and Long Life rebuilt kits include seals, gaskets, and vanes.

*Kevlar Long Life rebuilt kits include seals, gaskets, vanes, and bolts.

KITS

MOD	DESCRIPTION	LIST PRICE
BP6010201054	BALLAST9000 KIT	Please Call
BP6010201055	BALLAST11000 KIT	Please Call
BP6010201056	BALLAST13500 KIT	Please Call

SPECIALTY SERIES

ROTARY VANE VACUUM PUMP



MEC GAS

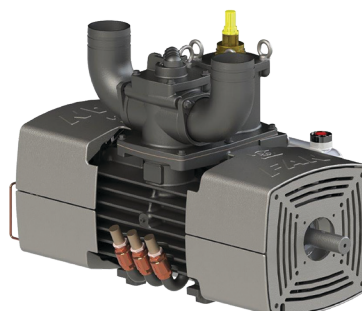
36.26 Max Absolute (relative) Pressure
 MEC4000GE with Honda Gas Engine - GX390
 MEC2000GE with Honda Gas Engine - GX270



MOD	CODE	MAX		MAX		POWER ABSORPTION MAX VACUUM	lb NET	LIST PRICE
		l/min	cfm	rpm	psi			
MEC Air Cooling Gas Engine Pump								
MEC2000-GE	Gas Engine	2,750	97	600 / 1400	36.26	13.4	165	Please Call
MEC4000-GE	Gas Engine	4,350	154	600 / 1400	36.26	21.5	221	Please Call

FAN

Long Life Blades
 Crash Protection
 System Automatic Lubrication
 External Side Oil Tank
 Integrated Air Filter
 Four (4) ways valve
 Poppet Check valve
 Available hoses connections: Ø76mm(3") / Ø100mm(4")



Units come with the over pressure valve installed

MOD	CODE	MAX		MAX		POWER ABSORPTION MAX VACUUM	lb NET	LIST PRICE
		l/min	cfm	rpm	psi			
FAN Series pump								
FAN-B420	P UL D76	11,980	423	1,500	2.5 (36)	-	448	Please Call
FAN-B530	P UL D76	14,890	525	1,500	2.5 (36)	-	580	Please Call

KPS

Long Life Blades
 Integrated Cooling Pump
 Four(4) Way Valve
 Automatic Lubrication by copper pipes
 Side Outlets
 Exhaust Elbows
 Depression Valve 1-1/2"
 Over Pressure Valves 2"



Units come with the over pressure valve installed

MOD	CODE	MAX		MAX		POWER ABSORPTION MAX VACUUM	lb NET	LIST PRICE
		l/min	cfm	rpm	psi			
KPS Series Pump								
KPS-B490	P LA DX UL D76	13520	477	1400	2.5 (36)	-	452	Please Call
KPS-B550	P LA DX UL D100	15270	539	1400	2.5 (36)	-	476	Please Call
KPS-B670	P LA DX UL D100	18620	657	1400	2.5 (36)	-	540	Please Call



TURNKEY SYSTEMS

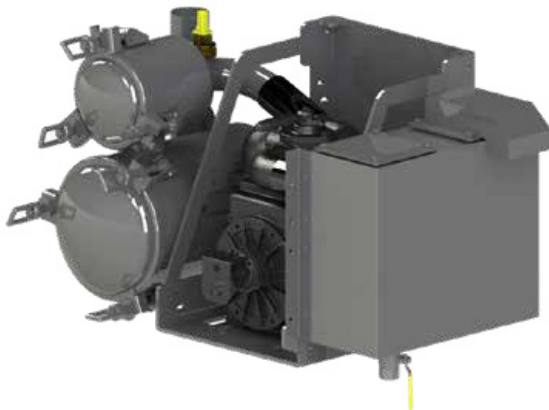
ROTARY VANE VACUUM PUMP

Customer needs to provide Shaft Rotation:
 SX = CCW
 DX = CW



- Pump Drive Systems for applications that require stand alone apparatus
- Mount on a truck or a trailer and do not require a power take-off or other drive
- Ideal for portable service units
- Electric Start Honda Engines from 8-13HP
- Fully assembled on pump stand - your choice of pumps

MOD	CAPACITY	HP	LIST PRICE
	cfm		\$
Engine Drive Units - SX & DX Available			
MEC2000	90	7.4	Please Call
MEC4000	154	12.1	Please Call
MEC5000	217	14.8	Please Call
MEC6500	247	16.8	Please Call
MEC8000	286	16.9	Please Call



- Pump
- Right Angle Gearbox
- Auto Align Bracket
- Final Filter
- Secondary
- Muffler
- Vacuum Relief Valve
- Pressure Relief Valve
- Powder Coated Pump Stand

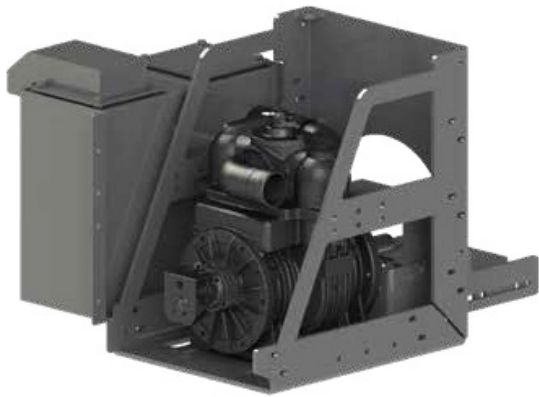
MOD	CAPACITY	COOLING TECH	LIST PRICE
	cfm		\$
Max Packs - SX & DX Available			
BALLAST9000	320	Ballast Port	Please Call
BALLAST11000	394	Ballast Port	Please Call
BALLAST13500	489	Ballast Port	Please Call
FAN420	423	Dual Fan	Please Call
KPS490	477	Liquid	Please Call

TURNKEY SYSTEMS

ROTARY VANE VACUUM PUMP



Customer needs to provide Shaft Rotation:
 SX = CCW
 DX = CW



- Pump
- Right Angle Gearbox
- Auto Align Bracket
- Pump Stand
- Oil Catch Muffler

MOD	CAPACITY	COOLING TECH	LIST PRICE
	cfm		\$
Muffler Packs - SX & DX Available			
BALLAST9000	320	Ballast Port	Please Call
BALLAST11000	394	Ballast Port	Please Call
BALLAST13500	489	Ballast Port	Please Call
FAN420	423	Dual Fan	Please Call
KPS490	477	Liquid	Please Call



- Pump
- Gearbox
- Auto Align Bracket
- Pump Coupling

MOD	CAPACITY	COOLING TECH	LIST PRICE
	cfm		\$
Pump Stand - SX & DX Available			
BALLAST9000	319	Ballast Port	Please Call
BALLAST11000	393	Ballast Port	Please Call
BALLAST13500	489	Ballast Port	Please Call



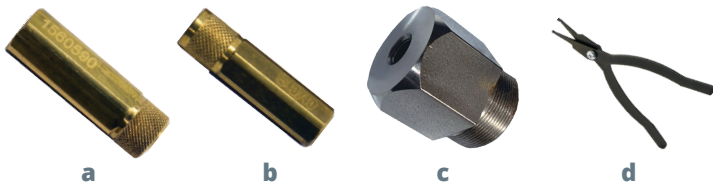
HIGH PRESSURE ACCESSORY COMPONENTS



FLUIDS & TOOLS



MOD	DESCRIPTION	LIST PRICE
Crankcase Oil AR Pump Oil is specially formulated Crankcase Oil for High Pressure Pumps. Contains anti-wear inhibitor and deoxidizer additives.		
a AR64545	Crankcase Oil - 4.5 oz (75W-90 Synthetic) Use in Models: XJV, SJV, XJW, SJW, RMV, RMW, SRMW, RQV, & RXV	\$15.47
b AR64545C	Crankcase Oil Case - 4.5 oz - 24 per case	\$338.76
c AR64516	Crankcase Oil - 16 oz (30W SPL) - Triplex Plunger Pump	\$15.80
d AR64516C	Crankcase Oil - 16 oz - 12 per case	\$189.59
e AR645107	Crankcase Oil - 1.07 Gal (75W-90 HL) - Use in Models: RTX, RTP, RTF & RTJ	\$183.60
Pump Saver Designed to protect and prolong the life of the pump. This will keep the internal parts of the pump lubricated and protected from freezing while being stored in low climates. It also assists with protection from internal corrosion.		
f AR64511	Pump Saver - 16 oz Anti-Freeze Solution - Triplex Plunger Pump	\$21.36



MOD	DESCRIPTION	LIST PRICE
Tools Tools are designed for adjusting the Mini-matic and Gymatic unloaders, and rear piston guide extracting tool for the XW series pumps.		
a AR1560590	Nut holder ... Adjusting Gymatic Unloader	\$61.04
b AR1540740	Nut holder ... Adjusting Mini-Matic Unloader	\$42.16
c AR980069	Rear Piston Guide Extractor ... XW Series pumps ... Thread size: 30mm Øx1.00mm Pitch	\$181.98
d AR2761490	Pliers ... for removing valves, piston guides and water seals.	\$63.41



ACCESSORIES

RAIL KITS & VALVE CAPS



a-g

h

i

j

MOD	HEIGHT	PUMP SERIES	LIST PRICE
	ft		\$

Rail Kits

Rail kits are designed for the N Version pumps. Heights are available from 3/8" up to 2-5/8". Also universal rail kits are available at 1-1/2" fits most pumps.

a	AR2729	5/8"	SXM, XM, RK	\$41.08
b	AR2748	1-1/4"	SXW, XW, SHP, RW, RG	\$26.67
c	AR2748H	2-1/2"	SXW, XW, SHP, RW, RG	\$74.62
d	AR1836	3/8"	XT	\$26.67
e	AR1836H	1-1/2"	XT	\$35.18
f	AR2633	1-3/4"	RK, XM, RC, RR	\$35.18
g	AR2633H	2-5/8"	RK, XM, RC, RR	\$46.40
h	U-BRACKET/KIT	1-1/2"	Universal Bracket RK, XW, SXW, SHP, RW, RG	\$76.14
i	U-BRACKET/CW/KIT	2"	Retrofit for CAT310 & 5CP Series Pumps...Same bolt mounting pattern	\$97.15
j	U-BRACKET/RTX/KIT	3"	RTX	\$268.21



a-h

MOD	DESCRIPTION	LIST PRICE
-----	-------------	------------

Threaded Valve Cap

Threaded valve caps are used for connection of pressure gauges directly to the pump head to monitor pressure levels the pump is developing.

a	AR1260162T	XT, XM series 1/4" NPT TAP Brass	\$14.16
b	AR1260163	XT, XM series 1/8" NPT TAP Brass	\$23.78
c	AR960090T	RK series 1/4" TAP Brass	\$27.31
d	AR1941970	XW series 1/4" NPT TAP Brass	\$33.99
e	AR960850T	RK series 1/4" NPT TAP 303 Stainless Steel	\$43.08
f	AR3201430	RC series 1/8" NPT TAP Brass	\$36.09
g	AR961440	Valve Cap, 1/4" threaded - Brass (40 ft/lbs)	\$25.07
h	AR1381340	Valve Cap, 1/4" threaded - NP Brass (40 ft/lbs)	\$22.45



CLUTCHES & GEAR BOXES



b



c

MOD	DESCRIPTION	LIST PRICE
Electric Clutch - XM, RK, RW, RC, RR & XW Series		
The Electric Clutch enables operation of the drive system for your pump without the pump itself being engaged. There can be significant reduction in wear and tear on the pump since it is only operating when called for.		
a	CL-539508 12 Volt single groove clutch ... 24mm x 7" (for "A" section belts)	\$821.28
b	CL-522850 12 Volt double groove clutch ... 24mm x 7" (for "A" section belts)	\$804.77
c	AR-ECMP Clutch mounting plate	\$31.58
d	AR-ECMP-RG Kit: Clutch mounting plate (includes bolts) for RG	\$71.06
e	AR-ECMP-RK Kit: Clutch mounting plate (includes bolts) for RK	\$71.06
f	AR-ECMP-XM Kit: Clutch mounting plate (includes bolts) for XM	\$37.06
g	AR-ECMP-XT Kit: Clutch mounting plate (includes bolts) for XT, RC, RR	\$37.06
h	AR-ECMP-XW Kit: Clutch mounting plate (includes bolts) for XW, SXW, SHP	\$71.06



a-f



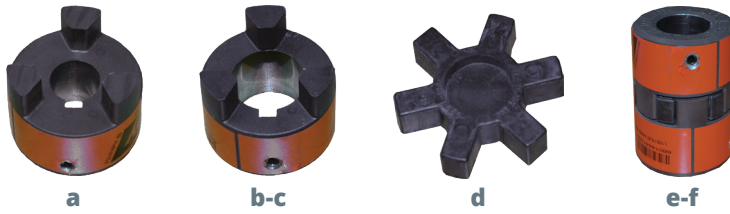
g-h

MOD	DESCRIPTION	LIST PRICE
Gear Boxes - RK, XM & XW Series Pumps		
Gear boxes designed to safely connect pumps and power supplies that operate at different speeds. Gear boxes fit into 1" and 1-1/8" shafts. They feature on SAEJ609A flange for proper connections.		
a	AR1689 RK / XM Series 1:2.24 Reduction box for 1" shaft SAEJ609a flange (1450 RPM Pump) (Short Shaft)	\$451.48
b	AR1690 RKA / XMA Series 1:2 Reduction box for 1" shaft SAEJ609a flange (1750 RPM Pump) (Short Shaft)	\$451.48
c	AR1691 RK / XM Series 1:2:24 Reduction box for 3/4" shaft SAEJ609a flange (1450 RPM Pump) (Short Shaft)	\$486.40
d	AR1697 XWA/RKA/RR Series 1:2 Reduction box for 1" shaft SAEJ609a flange (1750 RPM Pump) (Long Shaft)	\$499.64
e	AR1698 XW/RK Series 1:2.24 Reduction box for 1" shaft SAEJ609a flange (1450 RPM Pump) (Long Shaft 45mm)	\$499.64
f	AR1670 XW Series 1:2 Reduction box for 1-1/8" shaft SAEJ609a flange (1750 RPM Pump) (XW only) (Long Shaft)	\$595.96
g	AR1600 RK/XW/SXW Series 1:2.24 reduction box for 1" shaft SAEJ609a flange (1450 RPM Pump) (Either Shaft)	\$912.08
h	AR1601 RK/XW/SXW Series 1:2.24 reduction box for 1-1/8" shaft SAEJ609a flange (1450 RPM Pump) (Either)	\$926.44

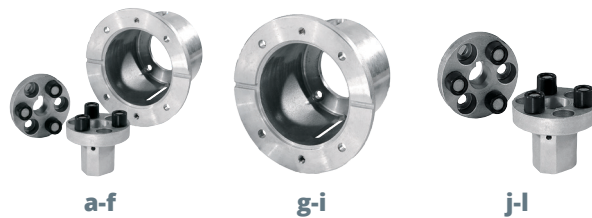


ACCESSORIES

COUPLINGS



MOD	DESCRIPTION	LIST PRICE
Couplings		
a	LJ10024M 24mm coupler	\$179.86
b	LJ100138 1-3/8" coupler	\$169.20
c	LJ100118 1-1/8" coupler	\$134.42
d	LJ100SOX Coupler insert	\$97.57
e	LJ-L10011824 Complete 1-1/8" x 24mm set	\$281.85
f	LJ-L10013824 Complete 1-3/8" x 24mm set	\$287.65





MOD	DESCRIPTION	LIST PRICE
Flanges/Couplings - RK, RW, XM & XW Series		
Flanges and Coupling Sets are designed for safely connecting 24mm solid shafted pumps to electric motors which turns at the same speed. Coupling kits are available for connecting either 1-1/8" or 1-3/8" electric motor shafts to the pump. The mounting flange is used to mechanically connect the pump and motor to reduce vibration, and keep them in proper alignment.		
a	AR1588 F14 ... Nema 182-184 bell housing and flexible coupling set (24mm x 1-1/8")	\$307.00
b	AR1588-L F14 ... Flange Kit - XW, SXW, RG Series	\$381.49
c	AR1588-LJ F14 ... Nema 182-184 bell housing and coupling set (LJ 1-1/8" x 24mm)	\$693.82
d	AR1589 F15 ... Nema 213-215 bell housing and flexible coupling set (24mm x 1-3/8")	\$307.00
e	AR1589-L F15 ... Flange Kit - XW, SXW, RG Series	\$477.57
f	AR1589-LJ F15 ... Nema 213-215 bell housing and coupling set (LJ 1-3/8" x 24mm)	\$693.82
g	AR1380490 Bell housing for F14 and F15	\$126.41
h	AR1380490-L Bell housing for XW, SXW, RG Series	\$494.49
i	AR1380490-G Bell housing for RC, RR Series	\$173.07
j	AR1380301 Coupling kit, pump side for F14 and F15	\$86.59
k	AR1380331 Coupling kit, motor side for F14 (1-1/8") includes couplings, bushings, and set screws	\$64.53
l	AR1380351 Coupling kit, motor side for F15 (1-3/8") includes couplings, bushings, and set screws	\$67.75



THERMAL VALVES

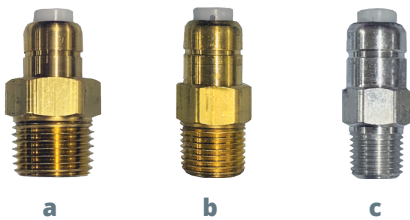


MOD	 psi	 gpm	INLET in	OUTLET mm	MAX TEMP ° F	LIST PRICE \$
-----	--	--	-------------	--------------	-----------------	------------------

Thermal Relief Valves

Mounted into the low pressure side of the pump manifold and will vent when water temperatures exceed for valve's specifications. This protects the pump from thermal shock and overheating.

a	MV610-12	145	8	1/2" M	4mm	140° F	\$43.67
b	MV610-38	145	8	3/8" M	4mm	140° F	\$47.22
c	ML610-12	145	8	1/2" M	7.5mm	140° F	\$26.79
d	ML610-38	145	4	3/8" M	7.5mm	140° F	\$26.79
e	ML610-14	145	4	1/4" M	7.5mm	140° F	\$32.40



Spray Diverter Cap
Included with TPP140 thermal relief valves

MOD	 psi	INLET in	MAX TEMP ° F	LIST PRICE \$
-----	--	-------------	-----------------	------------------

Thermal Relief Valves

The TPP140 Thermal Relief Valve Series are mounted into the low pressure side of the pump manifold and will vent when water temperatures exceed for valve's specifications. This protects the pump from thermal shock and overheating.

a	TPP140	200	1/2" M	140° F	\$19.00
b	TPP140-3/8	200	3/8" M	140° F	\$19.00
c	TPP140-1/4A	200	1/4" M	140° F	\$8.73



ACCESSORIES

REGULATORS





a-c



e-f





i-j

MOD	SPRING/CAP COLOR	 MAX psi	 MAX gpm	INLET in	OUTLET in	BY-PASS	MAX TEMP ° F	LIST PRICE \$	
SVT									
a	SVT17	-	2,400	6.6	2 x 3/8" F	3/8" F	-	194°	\$68.81
b	SVT28	-	4,040	6.6	2 x 3/8" F	3/8" F	-	194°	\$69.76
c	SVT40	-	5,800	6.6	2 x 3/8" F	3/8" F	-	194°	\$116.62
d	ML4079900012	Repair Kit for SVT17 / SVT28							\$23.26
VRT									
e	VRT3R-160	Yellow	2,320	10.5	2 x 3/8" F	3/8" F	2 x 3/8" F	194° F	\$106.27
f	VRT3R-310	Black	4,500	10.5	2 x 3/8" F	3/8" F	2 x 3/8" F	194° F	\$106.27
g	ML4079900096	Repair Kit for VRT3R-160 Series							\$21.36
h	ML4079900097	Repair Kit for VRT3R-310 Series							\$21.36
VXR3 - Stainless Steel									
i	VXR3-180	Yellow	2,600	8	3/8" F	3/8" F	-	194°	\$763.69
j	VXR3-310	Yellow	4,500	8	3/8" F	3/8" F	-	194°	\$763.69
k	ML4079900028	Repair Kit							\$27.74



VALVES: SAFETY, RELIEF, POP-OFF



MOD	 MAX psi	 MAX gpm	INLET in	OUTLET in	BY-PASS	MAX TEMP ° F	LIST PRICE \$
VB200 Unloader Valve							
a AR51107	2,465	53	1" F	1" F	1" F	194° F	\$776.91
VLP Pop Off Safety Valve							
b VLP8-12	4,060	2.1-3.2	1/4" M	Ø 16mm	-	230° F	\$29.98
c VLP12-17	4,060	3.2-4.5	1/4" M	Ø 16mm	-	230° F	\$29.98
d VLP17.21	4,060	4.5-5.6	1/4" M	Ø 16mm	-	230° F	\$29.98
SVL Relief Valve							
e SVL17	2,400	6.6	3/8" F	3/8" F	-	194° F	\$64.92
f SVL28	4,060	6.6	3/8" F	3/8" F	-	194° F	\$75.43
g SVL50	8,100	26.4	1/2" F	1/2" F	-	194° F	\$441.89
h SVL60 *	9,570	26.4	3/8" F	1/2" F	-	194° F	\$781.01
i SVL70	10,450	16	3/8" F	1/2" F	-	194° F	\$627.94
j SVL80	13,050	16	3/8" F	1/2" F	-	194° F	\$733.00
k SVL20/250	2,900	6.6	3/4" F	-	3/4" F	194° F	\$285.65
l SVL22/450	2,900	120	1" F	-	1" F	194° F	\$1,421.50
m SVL33/450	4,350	120	1" F	-	1" F	194° F	\$1,421.50
n ML4079900012	Repair Kit for SVL17 / SVL28						\$23.26
o ML4079900033	Repair Kit for SVL70						\$71.42
SVX Relief Valve							
p SVX-310 *	4,500	8	3/8" F	3/8" F	-	194° F	\$598.67
q ML4079900029	Repair Kit						\$23.26
High Pressure Relief Valve							
r AR40398 (VRP600)	8,700	21	1/2" F	-	1/2" F	195° F	\$1,008.41
s AR40399 (VS500)	8,100	21	1/2" F	-	3/8" F	195° F	\$637.23

* = Stainless Steel



ACCESSORIES

UNLOADERS - BOLT ON / INTERNAL BYPASS



MOD	INJECTOR	SIZE	 MAX psi	 MAX gpm	INLET in	OUTLET in	BYPASS	ID STAMP	MAX TEMP ° F	LIST PRICE \$
-----	----------	------	--	--	-------------	--------------	--------	----------	-----------------	------------------

VRC-B - RC Series Unloader Valve

a	AR23504	-	-	2,600	4	3/8" F NPT	3/8" M NPT	Aluminum	-	-	\$153.72
b	AR23505	Fixed	-	2,600	4	3/8" F NPT	3/8" M NPT	Aluminum	-	-	\$141.25
c	AR23506	Adjustable	-	2,600	4	3/8" F NPT	3/8" M NPT	Aluminum	-	-	\$159.66
d	AR42584	O-Rings Kit									\$6.51
e	AR2572	Bolt Kit									\$26.85

VRZ - RR Series Unloader Valve

f	AR24669	-	-	3,600		3/8" F NPT	3/8" M NPT	Aluminum	-	-	\$179.04
g	AR24591	Fixed	2.0	3,600		3/8" F NPT	3/8" M NPT	Aluminum	-	-	\$186.70
h	AR24670	Fixed	2.2	3,600		3/8" F NPT	3/8" M NPT	Aluminum	-	-	\$169.74
i	AR24671	Adjustable	2.0	3,600		3/8" F NPT	3/8" M NPT	Aluminum	-	-	\$182.96
j	AR24672	Adjustable	2.2	3,600		3/8" F NPT	3/8" M NPT	Aluminum	-	-	\$182.96

Mini-Matic 4/B - RC, XT & XM Series Unloader Valve

k	AR20821	-	-	2,600	2-5	1/2" F	3/8" M	Aluminum	-	-	\$152.74
l	AR20888	Fixed	1.8	2,600	2-3	1/2" F	3/8" M	Aluminum	1	-	\$161.48
m	AR20890	Adjustable	2.0	2,600	2-3	1/2" F	3/8" M	Aluminum	2	-	\$175.17
n	AR21036	-	-	2,600	2-5	1/2" F	3/8" M	Brass	-	-	\$161.48
o	AR21037	Fixed	2.0	2,600	2-3	1/2" F	3/8" M	Brass	2	-	\$170.08
p	AR21038	Fixed	2.2	2,600	2-4	1/2" F	3/8" M	Brass	3	-	\$170.08
q	AR21039	Adjustable	2.0	2,600	2-3	1/2" F	3/8" M	Brass	2	-	\$181.89
r	AR21040	Adjustable	2.2	2,600	2-4	1/2" F	3/8" M	Brass	3	-	\$181.89
s	AR2858	Unloader Kit									\$118.61
t	AR2572	Bolts Kit									\$26.85
u	AR2812	O-Rings Kit									\$9.74



UNLOADERS - BOLT ON / INTERNAL BYPASS



MOD	INJECTOR	SIZE	MAX	MAX	INLET	OUTLET	BY-PASS	ID STAMP	MAX TEMP	LIST PRICE
			psi	gpm	in	in			° F	\$

Gymatic 3/B - RR, XM & RK Series Unloader Valve and By-Pass

a	AR20242	-	-	3,650	3-5.5	1/2" F	3/8" M	Brass	-	-	\$187.09
b	AR20242G	-	-	3,650	3-5.5	GHT & Filter	3/8" M	Brass	-	-	\$197.48
c	AR20081	Fixed	1.8	3,650	3-4	1/2" M	3/8" M	Brass	1	-	\$199.12
d	AR20082	Fixed	2.0	3,650	4-5.5	1/2" M	3/8" M	Brass	2	-	\$199.12
e	AR20399	Adjustable	1.8	3,650	3-4	1/2" M	3/8" M	Brass	1	-	\$211.16
f	AR20400	Adjustable	2.0	3,650	4-5.5	1/2" F	3/8" M	Brass	2	-	\$211.16
g	AR20480	-	-	3,650	3-5.5	1/2" M NPT	3/8" M NPT	Brass	-	-	\$221.54
h	AR2119	Bolts Kit									\$68.92
i	AR2611	O-Rings Kit									\$33.35

Gymatic VR35 3/B - RR, XM & RK Series Unloader Valve and By-Pass

j	AR21669	-	-	4,000	5	1/2" M	3/8" M NPT	Brass	-	-	\$214.59
k	AR20992	-	-	4,000	5	1/2" F	3/8" M	Brass	-	-	\$208.33
l	AR22206	Fixed	2.0	4,000	5	1/2" M	3/8" M NPT	Brass	-	-	\$226.63
m	AR22287	Adjustable	2.0	4,000	5	1/2" F	3/8" M	Brass	-	-	\$238.66
n	AR2129	Unloader Kit									\$116.97
o	AR2121	Bolts Kit									\$30.68
p	AR2505	O-Rings Kit									\$35.54

Gymatic XW - XW Series Unloader Valve and By-Pass

q	AR20802	-	-	3,650	9	3/4" F	3/8" M	Brass	-	-	\$213.36
r	AR20758	-	-	3,650	9	1/2" F	3/8" M	Brass	-	-	\$197.48
s	AR20759	Fixed	3.0	3,650	9	1/2" F	3/8" M	Brass	2	-	\$221.54
t	AR2611	O-Rings Kit									\$33.35



ACCESSORIES

UNLOADERS



a, b, g



c, h



i



e



f



o, s



n, q



p



q, t

MOD	SPRING COLOR	KNOB	MAX	MAX	INLET	OUTLET	BY-PASS	MAX TEMP	LIST PRICE
			psi	gpm	in	in		° F	\$

VRT3 Unloader

a	VRT3-160	Yellow	Yes	2,320	10.5	2 x 3/8" F	3/8" F	2 x 3/8" F	194° F	\$93.84
b	VRT3-250	Blue	Yes	3,650	10.5	2 x 3/8" F	3/8" F	2 x 3/8" F	194° F	\$93.84
c	VRT3-250A	Blue	No	3,650	10.5	2 x 3/8" F	3/8" F	2 x 3/8" F	194° F	\$90.65
d	VRT3-250EZ *	Blue	Yes	3,650	10.5	2 x 3/8" F	3/8" F	2 x 3/8" F	194° F	\$95.13
e	VRT3-250H	Blue	Yes	3,650	10.5	2 x 3/8" F	3/8" F	2 x 3/8" F	194° F	\$192.88
f	VRT3R-250	Blue	Yes	3,650	10.5	2 x 3/8" F	3/8" F	2 x 3/8" F	194° F	\$95.60
g	VRT3-310	Black	Yes	4,500	10.5	2 x 3/8" F	3/8" F	2 x 3/8" F	194° F	\$93.84
h	VRT3-310A	Black	No	4,500	10.5	2 x 3/8" F	3/8" F	2 x 3/8" F	194° F	\$90.65
i	VRT3-310AM	Black	No	4,500	10.5	2 x 3/8" F	3/8" M	2 x 3/8" F	194° F	\$94.10
j	VRT3-310EZ *	Black	Yes	4,500	10.5	2 x 3/8" F	3/8" F	2 x 3/8" F	194° F	\$95.13
k	ML4079900008	Repair Kit for VRT3-160/250 Series								\$26.79
l	ML4079900004	Repair Kit for VRT3-250 Series								\$20.35
m	ML4079900005	Repair Kit for VRT3-310 Series								\$21.20

A = No Knob **M** = Male Outlet **R** = Gauge Port **H** = Nickel Plated
EZ * = Easy Start Valve

VRT100 Unloader



n	VRT100-190	Yellow	No	2,790	26.4	1/2" NPT F	1/2" NPT F	1/2" NPT F	194° F	\$258.86
o	VRT100-190K	Yellow	Yes	2,790	26.4	1/2" NPT F	1/2" NPT F	1/2" NPT F	194° F	\$270.89
p	VRT100-190H *	Yellow/NP	No	2,790	26.4	1/2" NPT F	1/2" NPT F	1/2" NPT F	194° F	\$319.05
q	VRT100-190D	Yellow	No	2,790	26.4	1/2" NPT F	1/2" NPT F	1/2" NPT F	194° F	\$282.92
r	VRT100-330	Blue	No	4,800	26.4	1/2" NPT F	1/2" NPT F	1/2" NPT F	194° F	\$258.86
s	VRT100-330K	Blue	Yes	4,800	26.4	1/2" NPT F	1/2" NPT F	1/2" NPT F	194° F	\$270.89
t	VRT100-330D	Blue	No	4,800	26.4	1/2" NPT F	1/2" NPT F	1/2" NPT F	194° F	\$276.91
u	VRT100-330D-SS **	Blue	No	4,800	26.4	1/2" NPT F	1/2" NPT F	1/2" NPT F	194° F	\$314.73
v	ML4079900031	Repair Kit for VRT100 -190K Series								\$47.33
w	ML4079900013	Repair Kit for VRT100 - 330K Series								\$52.15

K = Knob **D** = Double Bypass Port **H** = Nickel Plated
 * = Available / white spring - 1500 PSI ** = Stainless Steel Outlet



UNLOADERS

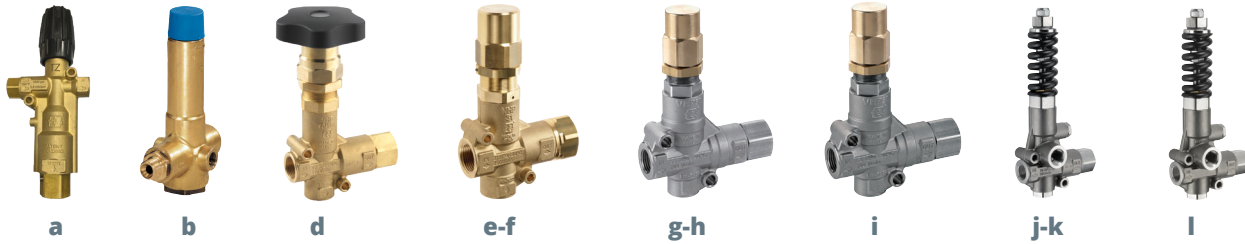




MOD	SPRING/CAP COLOR	GAUGE PORT	 MAX psi	 MAX gpm	INLET in	OUTLET mm	BY-PASS	MAX TEMP °F	LIST PRICE \$	
VRC25 - Pressure Compensating Unloader										
a	VRC25	-	-	3,650	8	2 x 3/8" F	3/8" F	1/4" F	194° F	\$141.29
VHP39 Unloader										
b	VHP39	-	-	5,560	11	1 x 3/8" F	3/8" F	2 x 3/8" F	190° F	\$234.65
c	VHP39-EZ*	-	-	5,560	11	1 x 3/8" F	3/8" F	2 x 3/8" F	190° F	\$234.65
d	ML407990009	Repair Kit								\$42.58
VR35 Unloader										
e	AR20831	-	-	5,100	8	3/8" F	3/8" M	3/8" F	190° F	\$300.28
f	AR2129	Unloader Kit								\$116.97
g	AR2876	O-Ring Kit								\$17.78
VRS3-250 Unloader										
h	VRS3-190	Yellow Spring	-	2,750	8	3/8" F	3/8" M	3/8" F	194° F	\$127.75
i	VRS3-250	Blue Spring	-	3,630	8	3/8" F	3/8" M	3/8" F	194° F	\$126.41
j	ML407990004	Repair Kit								\$20.35
VR56-250 - Unloader										
k	VR56-250	-	1/4" NPT F	3,624	8	3/8" M	3/8" F	3/8" F	194° F	\$85.69
l	VR56-250M	-	1/4" NPT F	3,624	8	3/8" M	3/8" M	3/8" F	194° F	\$86.76
m	ML4079900014	Repair Kit								\$36.24
n	ML4079900019	Seal Kit								\$36.24
VR54 - Unloader										
o	VR54-150	Black Cap	-	2,175	8	3/8" NPT M	3/8" NPT M	3/8" NPT F	194° F	\$77.31
p	VR54-200	Red Cap	-	2,900	8	3/8" NPT M	3/8" NPT M	3/8" NPT F	194° F	\$77.31
q	ML4079900016	Repair Kit								\$23.44
r	ML4079900020	Seal Kit								\$21.76



ACCESSORIES

UNLOADERS

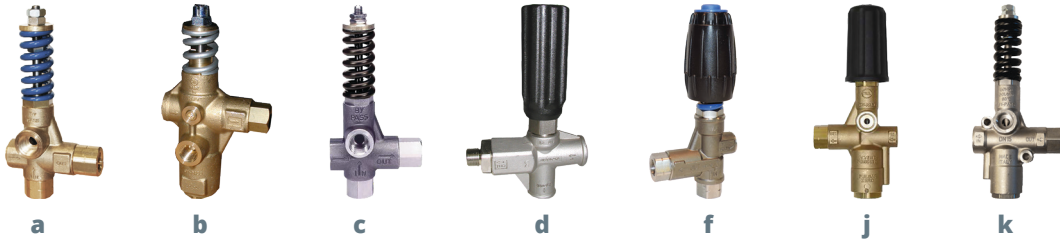


MOD	SPRING COLOR	KNOB	 MAX psi	 MAX gpm	INLET in	OUTLET mm	BY-PASS	MAX TEMP ° F	LIST PRICE \$	
TZ - Unloader w/Zeroed Outlet Pressure NEW										
a	TZ310	-	-	4,500	5.6	3/8" F	3/8" F	3/8" F	194° F	\$491.02
Zeromatic/83 - Multi-gun Unloader										
b	AR2907	-	-	3,600	8	1/2" F	3/8" M	2 x 3/8" F	190° F	\$270.89
c	AR1830	O-Ring Kit								\$16.22
VHP Unloaders										
d	VHP18/160	-	Yes	2,610	42.3	3/4" F	3/4" F	3/4" F	194° F	\$584.39
e	VHP31/250-170	-	-	2,465	66	1" F	1" F	1" F	194° F	\$788.59
f	VHP31/250-310	-	-	4,060	66	1" F	1" F	1" F	194° F	\$788.59
g	VHP51-500 *	-	-	8,000	26.4	1/2" F	1/2" F	1/2" F	194° F	\$507.72
h	VHP51-400 *	-	-	5,800	26.4	1/2" F	1/2" F	1/2" F	194° F	\$507.72
i	VHP60 (Stainless Steel)	-	-	8,700	26	1/2" F	1/2" F	1/2" F	194° F	\$830.74
j	VHP70-440	Blue	-	6,380	21	1/2" F	1/2" F	1/2" F	194° F	\$1,366.49
k	VHP70-700	Black	-	10,150	21	1/2" F	1/2" F	1/2" F	194° F	\$1,366.49
l	VHP80-800	-	-	12,800	21	1/2" F	1/2" F	1/2" F	194° F	\$1,416.90
m	ML4079900030	Repair Kit								\$83.40

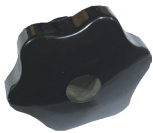
* = Nickel Plated Brass



SPECIALTY UNLOADERS



	MOD	SPRING/CAP COLOR	MAX psi	MAX gpm	INLET in	OUTLET mm	BY-PASS	MAX TEMP ° F	LIST PRICE \$
High Pressure Unloaders									
a	AR51096 (VB80/280)	Blue	4,350	21	1/2" F	1/2" F	1/2" F	195°	\$385.27
b	AR40397 (VB16)	Silver	8,100	21	1/2" F	1/2" F	1/2" F	195°	\$2,468.12
High Pressure Unloaders - Stainless Steel									
c	AR51248 (VB80/400)	Black	5,800 - 6,500	21	1/2" F	1/2" F	1/2" F	195°	\$1,161.82
Stainless Steel Unloaders									
d	AR21350 (VRS.S. 316)	-	2,900	12	3/8" F	3/8" M	1/4" F	195°	\$812.67
e	VX3-160	Yellow	2,300	8	3/8" F	3/8" F	1/4" F	195°	\$740.44
f	VX3-250 (VXS.S. 303)	Blue	3,650	8	3/8" F	3/8" F	1/4" F	195°	\$740.44
g	VX3-310	Black	4,500	8	3/8" F	3/8" F	1/4" F	195°	\$771.36
h	AR2170	Repair Kit for AR21350							\$35.54
i	ML4079900026	Repair Kit for VX3 Series							\$26.78
Flow Sensitive Unloaders									
j	AR51332 (Pulsar Zero)	-	4,050	10.5	3/8" F	3/8" F	2 x 3/8" F	195°	\$359.37
k	AR51179 (Pulsar Zero)	-	8,700	16	1/2" F	1/2" F	1/2" F	195°	\$2,151.98
l	AR51634	-	4,000	21	1/2" F	1/2" F	1/2" F	195°	\$578.38



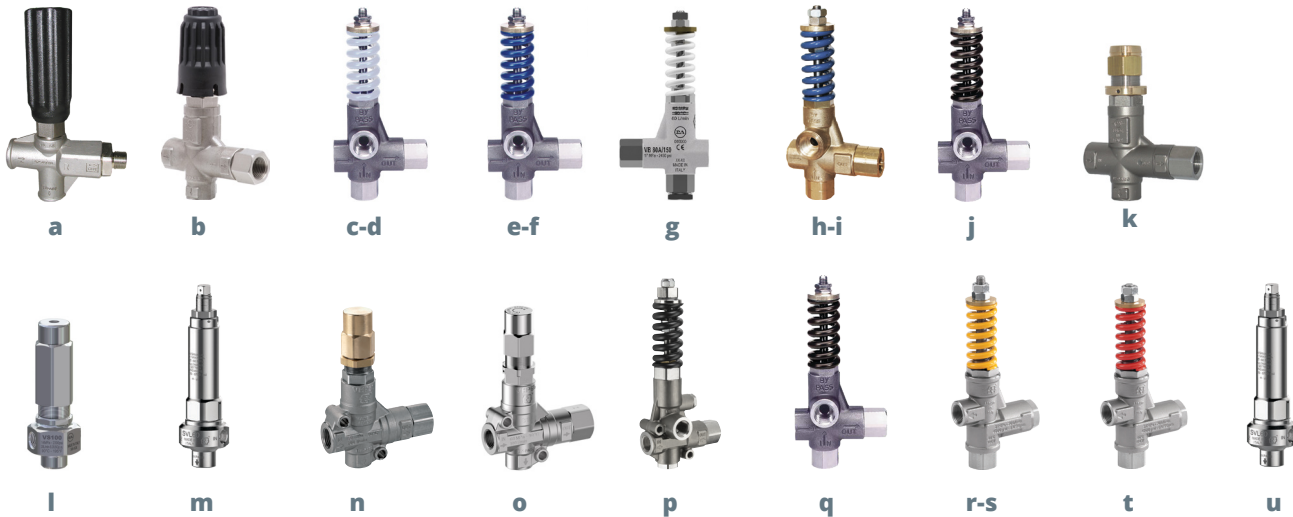
a

MOD	DESCRIPTION	LIST PRICE
Round Unloader Knob		
a ML01PP7D	Round Unloader Knob. Fits on: VRT3, VRT100, VHP, VRC25, VRS, VX3	\$33.95



ACCESSORIES

STAINLESS STEEL VALVES & UNLOADERS



MOD	SPRING/CAP COLOR	 MAX psi	 MAX gpm	INLET in	OUTLET in	BY-PASS in	MAX TEMP ° F	LIST PRICE \$
-----	------------------	--	--	-------------	--------------	---------------	-----------------	------------------

316 Stainless Steel Valves & Unloaders

a	AR21350 Unloader (VRS.S. 316)	-	3,000	11.8	3/8" F-BSP	3/8" M-BSP	3/8" F-BSP	195°	\$812.67
b	VB26-310-SS	-	4,500	21	1/2" F-G	1/2" F-G	1/2" F-G	195°	\$1,635.61
c	VB80-170-SS	White	2,450	21	2x1/2" F-G	1/2" F-G	1/2" F-G	195°	1,699.31
d	VB80-170-SS-NPT	White	2,450	21	2x1/2" F-NPT	1/2" F-NPT	1/2" F-NPT	195°	1,699.31
e	VB80-310-SS	Blue	4,500	21	2x1/2" F-G	1/2" F-G	1/2" F-G	195°	1,699.31
f	VB80-310-SS-NPT	Blue	4,500	21	2x1/2" F-NPT	1/2" F-NPT	1/2" F-NPT	195°	1,699.31
g	VB80A-150-SS	White	2,500	21	1/2" F-NPT	1/2" F-NPT	1/2" F-NPT	158°	\$9,315.00
h	VB80A-280-SS	Red	4,500	21	1/2" F-NPT	1/2" F-NPT	1/2" F-NPT	158°	\$9,315.00
i	VB80A-400-SS - Duplex	Black	6,500	21	1/2" F-NPT	1/2" F-NPT	1/2" F-NPT	158°	\$9,315.00
j	VB80A-280-SS - Duplex	Red	4,500	21	1/2" F-NPT	1/2" F-NPT	1/2" F-NPT	158°	\$9,315.00
k	VRP26-310-SS Regulator	-	4,500	21	1/2" F-G	1/2" F-G	1/2" F-G	195°	\$1,620.87
l	VS100-140-SS Safety Valve	-	2,300	5.3	1/2" F-G	-	1/2" F-G	195°	\$320.54
m	SVL60-660-SS Safety Valve	-	9,570	26.4	3/8" F-G	-	1/2" F-G	195°	\$781.01
n	VHP60-400-SS	Black	5,800	26.4	1/2" F-G	1/2" F-G	1/2" F-G	195°	\$1,487.35
o	VHP60-600-SS	Gray	8,700	26.4	1/2" F-G	1/2" F-G	1/2" F-G	195°	\$1,487.35

303 Stainless Steel Valves & Unloaders

p	VHP80-800	Black	12,800	21	1/2" F-NPT	1/2" F-NPT	1/2" F-NPT	195°	\$1,416.90
q	AR51248	Black	6,500	21	2x1/2" F-NPT	1/2" F-NPT	1/2" F-NPT	195°	\$1,161.82
r	VXR3-180 Regulator	Yellow	2,600	8	3/8" F-NPT	3/8" F-NPT	3/8" F-NPT	195°	\$763.69
s	VXR3-310 Regulator	Black	4,500	8	3/8" F-NPT	3/8" F-NPT	3/8" F-NPT	195°	\$763.69
t	SVX-310 Safety Valve	Red	4,500	8	3/8" F-NPT	3/8" F-NPT	3/8" F-NPT	195°	\$598.67
u	SVL70 Safety Valve	-	10,450	16	3/8" F-RC	1/2" F-RC	1/2" F-G	195°	\$627.94

RC = Conic Thread



UNLOADERS W/PRESSURE SWITCHES



a-b



c-d





h



j

The Pressure Switches are designed for balancing pressure washers hot water systems. As the user demands hot water the pressure switch activates to allow water to flow through the heating coil. When demand ceases, the pressure switch closes the circuit to send water through the by-pass circuit.

MOD	SPRING COLOR	 MAX psi	 MAX gpm	INLET in	OUTLET mm	BY-PASS	MAX TEMP ° F	LIST PRICE \$	
VRT-PS2 & PS6 Unloader									
a	VRT100-190PS2	Yellow	2,700	26.4	1/2" F	1/2" F	1/2" F	194° F	\$335.33
b	VRT100-330PS2	Blue	4,800	26.4	1/2" F	1/2" F	1/2" F	194° F	\$335.33
c	VRT3-250PS6	Blue	3,650	10.5	2x3/8" F	3/8" F	3/8" F	194° F	\$154.62
d	VRT3-310PS6	Black	4,500	10.5	2x3/8" F	3/8" F	3/8" F	194° F	\$147.91
e	ML4079900039	Repair Kit for VRT100 Series							\$54.16
f	ML4079900006	Repair Kit for VRT3-250 Series							\$33.56
g	ML4079900007	Repair Kit for VRT3-310 Series							\$33.56
VRC25-PS2 Unloader									
h	VRC25-PS2	Silver	3,650	8	3/8" F	3/8" F	2x3/8" F	194° F	\$184.96
i	ML4079900010	Repair Kit							\$40.35
VHP39-PS2 Unloader									
j	VHP39-PS2 (Brass - not nickel as	-	5,560	11	2x3/8" F	3/8" F	2x3/8" F	190° F	\$312.56



ACCESSORIES

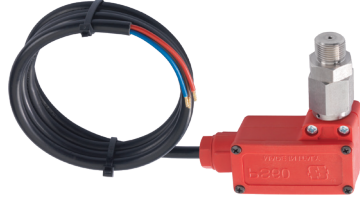
SWITCHES






a-f



g-h



i-j

MOD	 psi	 v	 amps	ACTIVATION PSI	CONNECTION in	CORD LENGTH in	MAX TEMP ° F	LIST PRICE \$	
PS2 Pressure Switch									
a	AL690	3,650	250	15	217.5	1/4" M	45"	190° F	\$35.52
b	AL691	3,650	250	15	217.5	3/8" M	45"	190° F	\$35.52
c	AL692	3,650	250	15	362.5	1/4" M	45"	190° F	\$35.52
d	AL693	3,650	250	15	362.5	3/8" M	45"	190° F	\$35.52
e	AL694	3,650	250	15	652.5	1/4" M	45"	190° F	\$35.52
f	AL695	3,650	250	15	652.5	3/8" M	45"	190° F	\$35.52
PS6 Pressure Switch - Brass									
g	PS6014	4,060	250	16	363	1/4" M	45"	167° F	\$47.71
h	PS6038	4,060	250	16	363	3/8" M	45"	167° F	\$46.27
PS60 Pressure Switch - Stainless Steel									
i	PS6000	8,700	250	16	360	3/8" M	47.3"	194° F	\$125.35
j	PS6001	8,700	250	16	600	3/8" M	47.3"	194° F	\$125.35



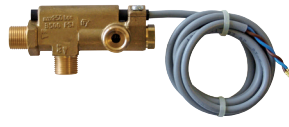
SWITCHES



a



d



e

MOD	CABLE	DIRECTION	 MAX	 MAX	INLET	OUTLET	MAX TEMP	LIST PRICE
	in		psi	gpm	in	in	° F	\$

Flow Switches

a	MV60V (Brass)	L-61.8	Vertical	5,025	8	3/8" F	3/8" F	180° F	\$103.29
b	MV60H	L-61.8	Horizontal	5,025	8	3/8" F	3/8" F	180° F	\$107.65
c	MV70V	L-61.8	Vertical	9,280	8	3/8" F	3/8" F	180° F	\$189.92
d	MV70H (Stainless Steel)	L-61.8	Horizontal	9,280	8	3/8" F	3/8" F	180° F	\$214.59
e	FS26 (Brass)	L-61.8	Vertical	4,500	8	3/8" M	3/8" M	180° F	\$125.24



a-c

MOD		CONNECTION	SWITCH WITH	VACUUM AT	MAX TEMP	LIST PRICE
v	amps	in			° F	\$

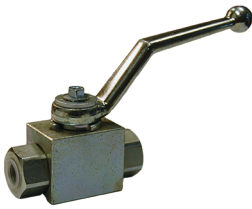
MVVS Vacuum Switch

a	MVVS1.5	220	16	1/4"	1.5	435	145° F	\$47.68
b	MVVS2.5	220	16	1/4"	2.5	580	145° F	\$47.68
c	MVVS4.5	220	16	1/4"	4.5	435	145° F	\$47.68




ACCESSORIES

VALVES



a-d

MOD	 MAX	INLET/ OUTLET	BODY LENGTH	BODY WIDTH	BODY/STEM HEIGHT	HANDLE LENGTH	MAX TEMP	LIST PRICE
	psi	in	in	in	in	in	° F	\$

High Pressure Ball Valves

Perfect spherically shaped and ground balls... Anti blow-out stem... Zinc plated body, Body, Ball, Adapter and Stem are made from Steel AISI... 12L14. Ball Seals are made from Polyoxymethylene. O-Ring are made from Nitrill Buna Rubber. Handle length is center to end.

a	GE2N14	7,250	1/4" F	2.8"	1.18"	1.93"	4.33"	194° F	\$56.76
b	GE2N38	7,250	3/8" F	2.9"	1.38"	2.13"	4.33"	194° F	\$64.39
c	GE2N12	7,250	1/2" F	3.3"	1.46"	2.25"	4.33"	194° F	\$66.22
d	GE2N34	5,000	3/4" F	3.7"	1.77"	2.87"	7.10"	194° F	\$128.18



a-c



d-f



g



h

MOD	 MAX	 MAX	INLET	OUTLET	MAX TEMP	LIST PRICE
	psi	gpm	in	in	° F	\$

Check Valves

The Check Valves are mechanical valves that permit liquids to flow in only one direction, preventing process flow from reversing. They are classified as one-way directional valves. Fluid flow in the desired direction opens the valve, while back flow forces the valve closed.

a	CV3-31014	4,500	6.6	1/4" F	1/4" F	194° F	\$44.62
b	CV3-40038	5,800	6.6	3/8" F	3/8" F	194° F	\$48.98
c	CV3-40012	5,800	6.6	1/2" F	1/2" F	194° F	\$68.46
d	CV5-55014	7,980	6.6	1/4" F	1/4" F	194° F	\$50.40
e	CV5-55038	7,980	6.6	3/8" F	3/8" F	194° F	\$66.22
f	CV5-70012	10,150	6.6	1/2" F	1/2" F	194° F	\$105.64

Easy Start Valve

The Easy Start Valve eases internal pump pressures that can make cold starts with gasoline engine difficult. 1/4" Hose Barb. 120 Shut Off PSI. 100 Re-opens PSI.

g	AR4000-2	5,000	5	3/8" M	-	300° F	\$19.36
---	----------	-------	---	--------	---	--------	---------

Pop-Off Safety Valve

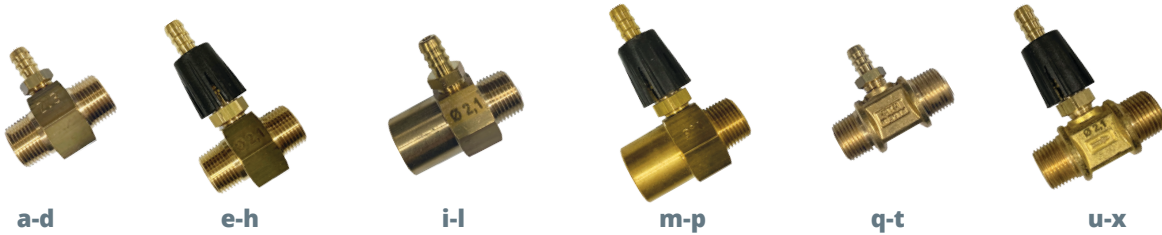
Back up pressure release valve, if priming valves fail. This helps to protect the pump from damage.



h	AR5000-1	1,000-4,000	5	3/8" M	-	140° F	\$28.56
---	----------	-------------	---	--------	---	--------	---------



CHEMICAL INJECTORS

The Chemical Injectors are designed for down stream insertion of chemical products into the pump's pressure stream.

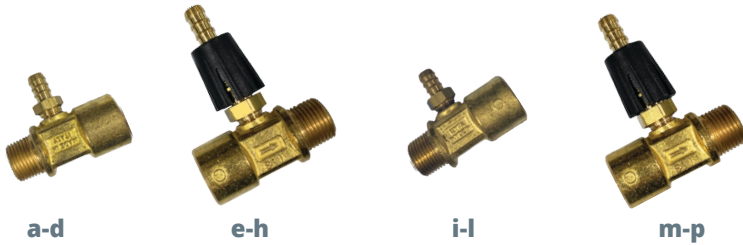




MOD	ADJUSTMENT	ORIFICE SIZE	 MAX	 MAX	INLET	OUTLET	MAX TEMP	LIST PRICE	
		mm	psi	gpm	in	in	° F	\$	
MV200 - MVR200									
a	MV20016	Fixed	1.6	4,500	8	3/8" M	3/8" M	200° F	\$20.66
b	MV20018	Fixed	1.8	4,500	8	3/8" M	3/8" M	200° F	\$20.66
c	MV20021	Fixed	2.1	4,500	8	3/8" M	3/8" M	200° F	\$20.66
d	MV20023	Fixed	2.3	4,500	8	3/8" M	3/8" M	200° F	\$20.66
e	MVR20016	Adjustable	1.6	4,500	8	3/8" M	3/8" M	200° F	\$27.74
f	MVR20018	Adjustable	1.8	4,500	8	3/8" M	3/8" M	200° F	\$27.74
g	MVR20021	Adjustable	2.1	4,500	8	3/8" M	3/8" M	200° F	\$27.74
h	MVR20023	Adjustable	2.3	4,500	8	3/8" M	3/8" M	200° F	\$27.74
MV300 - MVR300									
i	MV30016	Fixed	1.6	4,500	8	3/8" F	3/8" M	200° F	\$20.66
j	MV30018	Fixed	1.8	4,500	8	3/8" F	3/8" M	200° F	\$20.66
k	MV30021	Fixed	2.1	4,500	8	3/8" F	3/8" M	200° F	\$20.66
l	MV30023	Fixed	2.3	4,500	8	3/8" F	3/8" M	200° F	\$20.66
m	MVR30016	Adjustable	1.6	4,500	8	3/8" F	3/8" M	200° F	\$27.74
n	MVR30018	Adjustable	1.8	4,500	8	3/8" F	3/8" M	200° F	\$27.74
o	MVR30021	Adjustable	2.1	4,500	8	3/8" F	3/8" M	200° F	\$27.74
p	MVR30023	Adjustable	2.3	4,500	8	3/8" F	3/8" M	200° F	\$27.74
MV400 - MVR400									
q	MV40016	Fixed	1.6	4,500	8	3/8" M (NPT)	3/8" M (NPT)	200° F	\$21.84
r	MV40018	Fixed	1.8	4,500	8	3/8" M (NPT)	3/8" M (NPT)	200° F	\$21.84
s	MV40021	Fixed	2.1	4,500	8	3/8" M (NPT)	3/8" M (NPT)	200° F	\$21.84
t	MV40023	Fixed	2.3	4,500	8	3/8" M (NPT)	3/8" M (NPT)	200° F	\$21.84
u	MVR40016	Adjustable	1.6	4,500	8	3/8" M (NPT)	3/8" M (NPT)	200° F	\$28.92
v	MVR40018	Adjustable	1.8	4,500	8	3/8" M (NPT)	3/8" M (NPT)	200° F	\$28.92
w	MVR40021	Adjustable	2.1	4,500	8	3/8" M (NPT)	3/8" M (NPT)	200° F	\$28.92
x	MVR40023	Adjustable	2.3	4,500	8	3/8" M (NPT)	3/8" M (NPT)	200° F	\$28.92



ACCESSORIES

CHEMICAL INJECTORS



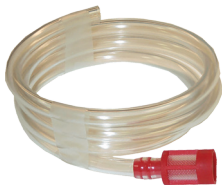
MOD	ADJUSTMENT	ORIFICE SIZE	 MAX	 MAX	INLET	OUTLET	MAX TEMP	LIST PRICE	
		mm	psi	gpm	in	in	° F	\$	
MVR410									
a	MV41016	Fixed	1.6	4,500	8	3/8" F (NPT)	3/8" M (NPT)	200° F	\$21.84
b	MV41018	Fixed	1.8	4,500	8	3/8" F (NPT)	3/8" M (NPT)	200° F	\$21.84
c	MV41021	Fixed	2.1	4,500	8	3/8" F (NPT)	3/8" M (NPT)	200° F	\$21.84
d	MV41023	Fixed	2.3	4,500	8	3/8" F (NPT)	3/8" M (NPT)	200° F	\$21.84
e	MVR41016	Adjustable	1.6	4,500	8	3/8" F (NPT)	3/8" M (NPT)	200° F	\$28.92
f	MVR41018	Adjustable	1.8	4,500	8	3/8" F (NPT)	3/8" M (NPT)	200° F	\$28.92
g	MVR41021	Adjustable	2.1	4,500	8	3/8" F (NPT)	3/8" M (NPT)	200° F	\$28.92
h	MVR41023	Adjustable	2.3	4,500	8	3/8" F (NPT)	3/8" M (NPT)	200° F	\$28.92
MVR420									
i	MV42016	Fixed	1.6	4,500	8	3/8" M (NPT)	3/8" F (NPT)	200° F	\$21.84
j	MV42018	Fixed	1.8	4,500	8	3/8" M (NPT)	3/8" F (NPT)	200° F	\$21.84
k	MV42021	Fixed	2.1	4,500	8	3/8" M (NPT)	3/8" F (NPT)	200° F	\$21.84
l	MV42023	Fixed	2.3	4,500	8	3/8" M (NPT)	3/8" F (NPT)	200° F	\$21.84
m	MVR42016	Adjustable	1.6	4,500	8	3/8" M (NPT)	3/8" F (NPT)	200° F	\$28.92
n	MVR42018	Adjustable	1.8	4,500	8	3/8" M (NPT)	3/8" F (NPT)	200° F	\$28.92
o	MVR42021	Adjustable	2.1	4,500	8	3/8" M (NPT)	3/8" F (NPT)	200° F	\$28.92
p	MVR42023	Adjustable	2.3	4,500	8	3/8" M (NPT)	3/8" F (NPT)	200° F	\$28.92



DETERGENT SUCTION FILTERS & HOSE



MOD	DESCRIPTION	LIST PRICE
Detergent Suction Filters		
a AR1341030	1/4" Barb Intake Strainer (Red)	\$4.36
b AL470	1/4" Barb Intake Strainer (Black)	\$4.49
c AR3116	Filter with Check Valve (Brass)	\$27.60
d MV13	7mm Barb without Check Valve	\$10.15
e MV14	8mm Barb with Check Valve	\$24.42
f MV15	6-8mm Barb without Check Valve (Blue)	\$3.66
g MV16	6-8mm Barb with Check Valve (Black)	\$5.79



a-c

MOD	INNER DIMENSION in	OUTER DIMENSION in	LENGTH ft	FILTER	LIST PRICE \$
Detergent Hose					
a DETHOSE-FIL4	1/4"	3/8"	4'	Yes	\$9.32
b DETHOSE-FIL5	1/4"	3/8"	5'	Yes	\$10.39
c DETHOSE-FIL6	1/4"	3/8"	6'	Yes	\$10.74
d DETHOSE-4	1/4"	3/8"	4'	No	\$5.90
e DETHOSE-5	1/4"	3/8"	5'	No	\$6.39
f DETHOSE-6	1/4"	3/8"	6'	No	\$6.96
g DETHOSE-100	1/4"	3/8"	100'	No	\$79.54



ACCESSORIES

TRIGGER GUNS - REAR ENTRY



MOD	 MAX psi	 MAX gpm	INLET in	OUTLET in	MAX TEMP ° F	LIST PRICE \$
-----	--	--	-------------	--------------	-----------------	------------------

Rear Entry Guns

These Spray Guns offer consistent quality and performance. Designed with an easy pull trigger, these guns can be operated without high levels of fatigue or discomfort normally found in high pressure guns.

a	5101	4000	7	3/8" F	1/4" F	320°F	\$43.53
b	5110	5000	10.5	3/8" F	1/4" F	320°F	\$57.70
c	MV2012	5000	10.6	3/8" F	1/4" F	320°F	\$63.51
d	MV925	4500	8	3/8" F	1/4" F	320°F	\$45.67
e	MV925-W	4500	8	3/8" F	1/4" F	320°F	\$45.63
f	MV925-W-SS	4500	8	3/8" F	1/4" F	320°F	\$97.66
g	MV951-3/8	5075	10.6	3/8" F	1/4" F	302°F	\$59.62
h	MV951Z ***	5075	10.6	3/8" F	1/4" F	302°F	\$78.26
i	ML955	5800	10.6	3/8" F	1/4" F	320°F	\$71.64
j	ML955CB **	5800	10.6	3/8" F	1/4" F	320°F	\$98.13
k	ML956 *	5800	10.6	3/8" F	1/4" F	320°F	\$320.24
l	ML957	4050	13.2	3/8" F	1/4" F	320°F	\$88.53
m	ML958S*	2900	21	1/2" F	1/2" F	320°F	\$443.55
n	AL36	5075	12	3/8" F	1/4" F	320°F	\$44.27

Rear Entry High Flow Guns

o	ML210	3200	53	3/4" F	1/2" F	250°F	\$439.45
----------	-------	------	----	--------	--------	-------	----------

Rear Entry High Pressure Guns

p	ML510	8100	16	1/2" F	1/2" F	250°F	\$439.45
q	ML710	10150	16	3/8" F	3/8" F	250°F	\$656.16
r	AR40400 (RL600) *	9500	15.8	3/8" F	3/8" F	210°F	\$970.40
s	AR50900 (RL80) *	8100	21	1/2" F	1/2" F	210°F	\$634.24

* - Stainless Steel

** - Ceramic Ball

*** - Zylel Housing

W - Weeping Gun

HE - Hydro Excavation



TRIGGER GUNS - REAR/FRONT ENTRY, SPECIALTY



MOD	 psi	 gpm	INLET in	OUTLET in	MAX TEMP ° F	LIST PRICE \$
-----	--	--	-------------	--------------	-----------------	------------------

Rear Entry In-Line Guns

a TL20	3200	7	3/8" NPT F	1/4" NPT F	320°F	\$61.25
b TL40	5800	10.6	3/8" NPT F	1/4" NPT F	320°F	\$67.65
c AR51717	4500	32	3/4" F	3/4" F	210°F	\$496.41

Rear Entry Open Guns

d MV951-OG	5075	10.6	3/8" F	1/4" F	300°F	\$35.89
-------------------	------	------	--------	--------	-------	---------



MOD	 psi	 gpm	INLET in	OUTLET in	MAX TEMP ° F	LIST PRICE \$
-----	--	--	-------------	--------------	-----------------	------------------

Front Entry Guns

These Spray Guns offer consistent quality and performance. Designed with an easy pull trigger, these guns can be operated without high levels of fatigue or discomfort normally found in high pressure guns.

a ML320-1/4	2600	6.6	1/4" M	1/4" F	212°F	\$34.94
b ML320	2600	6.6	3/8" F	1/4" F	212°F	\$34.94
c ML330	4500	10.6	3/8" F	1/4" F	320°F	\$61.61



MOD	DESCRIPTION	LIST PRICE
-----	-------------	------------

Shoulder Support for ML Guns

a MLSS14	Shoulder support for ML Guns. Fits Guns: ML210, ML510, ML710	\$50.53
-----------------	--	---------



ACCESSORIES

TRIGGER GUNS WITH EXTENSIONS



MOD	EXTENSION LENGTH	NOZZLE SIZE	MAX	MAX	INLET	OUTLET	MAX TEMP	LIST PRICE
	in		psi	gpm	in	mm	° F	\$

Trigger Guns with Lance Extensions

The Spray Guns with Lance Extensions feature a simple screw connection of a lance and gun to have better reach, and easier cleaning. Hooks up with tools.

a	MV925-MV70	14"	-	4,500	8	3/8" F	22mm x 1.5 F	320°F	\$68.58
b	ML330-L35	22.4"	-	4,500	10.6	3/8" F	22mm x 1.5 F	-	\$94.90
c	ML330-L35S *	22.4"	-	4,500	10.6	3/8" F	22mm x 1.5 F	-	\$94.97
d	5905	19"	-	2,500	6.5	22mm x 1.5 M	22mm x 1.5 F	140°F	\$40.87
e	5909	19"	-	3,000	6.5	22mm x 1.5 F	22mm x 1.5 F	140°F	\$48.26
f	5912	19"	-	4,000	6.5	3/8" F	22mm x 1.5 F	140°F	\$58.20
g	BIT105-1/4	19"	-	3,000	8	1/4" M	22mm x 1.5 F	140°F	\$43.67
h	BIT105-22MM	19"	-	3,000	8	22mm	22mm x 1.5 F	140°F	\$43.67
i	BIT105-3/8	19"	-	3,000	8	3/8" F	22mm x 1.5 F	140°F	\$43.67
j	AL13-1/4	19"	-	3,700	8	1/4" M	22mm x 1.5 F	140°F	\$43.45
k	AL13-22MM	19"	-	3,700	8	22mm	22mm x 1.5 F	140°F	\$43.45
l	AL13-3/8	19"	-	3,700	8	3/8" F	22mm x 1.5 F	140°F	\$43.45

Trigger Guns with Jet Extensions

Cone jet, fan jet, and foam jet.



m	ML957-3Jet-045	18"	045	4,050	13.2	3/8" F	-	140°F	\$850.41
n	ML957-3Jet-055	18"	055	4,050	13.2	3/8" F	-	140°F	\$892.93
o	ML957-3Jet-065	18"	065	4,050	13.2	3/8" F	-	140°F	\$892.93
p	ML957-3Jet-08	18"	08	4,050	13.2	3/8" F	-	140°F	\$892.93
q	ML957-3Jet-11	18"	11	4,050	13.2	3/8" F	-	140°F	\$892.93

* - Swivel



LANCES WITH EXTENSIONS



MOD	EXTENSION LENGTH	PIPE SIZE	PIPE MATERIAL	GRIP	 MAX	 MAX	INLET	OUTLET	MAX TEMP	LIST PRICE
	in	in			psi	gpm	in	in	° F	\$

Dual Lance Extensions

Dual Lance Extensions allow easy switching between high pressure cleaning and low pressure chemical application. Stainless Steel pipes give increased life when applying variable pH products. Zinc pipes work well for normal cleaning applications with non-corrosive products. 40" Dual Lance Extensions give the added benefit of easy and comfortable control with the built in molded grip, plastic cover on the valve and enlarged nozzle protector maximize

a	AL333	40"	1/8"	Zinc	Molded	3,650	10.5	1/4" M	2 x 1/4" F	300°F	\$105.52
b	AL344	40"	1/4"	S.S.	Vented	4,000	10.5	1/4" M	2 x 1/4" F	300°F	\$145.78

Dual Lance Extension

Stainless Steel Seat. VPKIT - Includes 1/4" QC and Soap Nozzle.
Plastic cover over valve, enlarged nozzle protector for maximum operator comfort and safety.

c	AL344LS	40"	1/4"	S.S.	Vented	4,000	10.5	1/4" M	1/8" F x 1/4" F	302°F	\$152.86
d	AL344LS-VPKIT	40"	1/4"	S.S.	Vented	4,000	10.5	1/4" M	1/8" F x 1/4" F	302°F	\$176.93
e	AL345	40"	1/4"	S.S.	Vented	4,000	10.5	1/4" M	2 x 1/4" F	302°F	\$128.77
f	AL345LS-VPKIT	40"	1/4"	S.S.	Vented	4,000	10.5	1/4" M	2 x 1/4" F	302°F	\$162.52



MOD	DESCRIPTION	LIST PRICE
-----	-------------	------------

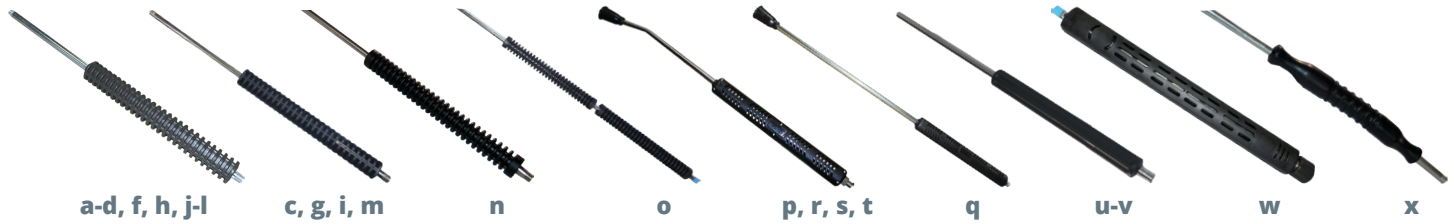
Lance Handles

a	MVLH	Lance Handle 1/4" with clamp	\$24.43
b	5280	Lance Handle 1/4" with nut	\$9.22



ACCESSORIES

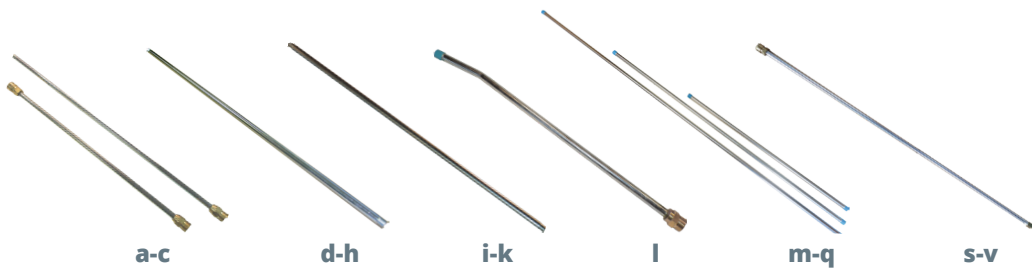
LANCES - MOLDED & VENTED GRIPS





MOD	LENGTH in	PIPE MATERIAL	 MAX psi	 MAX gpm	INLET in	OUTLET mm	MAX TEMP ° F	LIST PRICE \$	
Molded Grip									
a	AL352	12"	Zinc	5,000	10.5	1/4" M	1/4" M	302° F	\$20.18
b	AL308X	20"	Zinc	5,000	10.5	1/4" M	1/4" M	302° F	\$23.26
c	AL323X	24"	Zinc	5,000	10.5	1/4" M	1/4" M	302° F	\$16.75
d	AL309X	28"	Zinc	5,000	10.5	1/4" M	1/4" M	302° F	\$16.75
e	AL301XX	28"	S.S.	5,000	10.5	1/4" M	1/4" M	300° F	\$41.90
f	AL324XX	36" (4" grip from end)	Zinc	5,000	10.5	1/4" M	1/4" M	302° F	\$18.88
g	AL302XX	36"	S.S.	5,000	10.5	1/4" M	1/4" M	300° F	\$41.90
h	AL325X	48"	Zinc	5,000	10.5	1/4" M	1/4" M	302° F	\$29.62
i	AL303X	48"	S.S.	5,000	10.5	1/4" M	1/4" M	300° F	\$59.13
j	AL326X	59"	Zinc	5,000	10.5	1/4" M	1/4" M	302° F	\$33.88
k	AL327X	67"	Zinc	5,000	10.5	1/4" M	1/4" M	302° F	\$49.80
l	AL328X	79"	Zinc	5,000	10.5	1/4" M	1/4" M	302° F	\$56.66
m	AL306X	79"	S.S.	5,000	10.5	1/4" M	1/4" M	300° F	\$94.20
Round Molded Grip									
n	5212	36"	S.S.	4,000	10.5	1/4" M	1/4" F	300° F	\$39.70
o	5218 (Double Grip)	48"	Zinc	4,000	10.5	1/4" M	1/4" F	300° F	\$24.94
Vented Grip									
p	AL360 (w/Nozzle Protector)	20" (w/15° bend)	Zinc	5,000	10.5	1/4" M	1/4" F	302° F	\$36.71
q	AL361 (w/Nozzle Protector)	36"	Zinc	5,000	10.5	1/4" M	1/4" F	302° F	\$38.58
r	AL362 (w/Nozzle Protector)	48" (w/15° bend)	Zinc	5,000	10.5	1/4" M	1/4" F	302° F	\$51.71
s	AL363 (w/Nozzle Protector)	59" (w/15° bend)	Zinc	5,000	10.5	1/4" M	1/4" F	302° F	\$59.38
t	AL365 (w/Nozzle Protector)	79" (w/15° bend)	Zinc	5,000	10.5	1/4" M	1/4" F	302° F	\$63.75
u	5201	24"	Zinc	4,000	10.5	1/4" M	1/4" M	300° F	\$21.99
v	5202	36"	Zinc	4,000	10.5	1/4" M	1/4" M	300° F	\$24.79
Semi-Vented Grip									
w	5170	18"	Zinc	4,000	10.5	1/4" M	22mm x 1.5 F	300° F	\$25.25
Flex Wand									
x	5271	18"	Zinc	2,250	10.5	1/4" M	1/4" M	195° F	\$27.45



LANCES - NO GRIP





MOD	LENGTH	PIPE MATERIAL	 MAX	 MAX	INLET	OUTLET	MAX TEMP	LIST PRICE	
	in		psi	gpm	in	mm	° F	\$	
Zinc Lances									
a	AL248	24"	Zinc	5,000	10.5	22mm x 1.5M	1/4" M	302°F	\$18.07
b	AL248-CSC	18"	Zinc	5,000	10.5	22mm x 1.5M	1/4" F QC	302°F	\$31.98
c	AL248-CB	24"	Zinc	5,000	10.5	22mm x 1.5M	1/4" F QC	302°F	\$42.35
d	AL290X	16"	Zinc	5,000	10.5	1/4" M	1/4" M	302°F	\$13.35
e	AL291X	20"	Zinc	5,000	10.5	1/4" M	1/4" M	302°F	\$15.47
f	AL292X	28"	Zinc	5,000	10.5	1/4" M	1/4" M	302°F	\$14.28
g	AL293X	36"	Zinc	5,000	10.5	1/4" M	1/4" M	302°F	\$34.45
h	AL295X	60"	Zinc	5,000	10.5	1/4" M	1/4" M	302°F	\$36.11
i	5251	24"	Zinc	4,000	10.5	1/4" M	1/4" M	300°F	\$9.30
j	5252	36"	Zinc	4,000	10.5	1/4" M	1/4" M	300°F	\$13.72
k	5253	48"	Zinc	4,000	10.5	1/4" M	1/4" M	300°F	\$18.59
l	5890 (with 15° bend)	18"	Zinc	4,000	10.5	22mm x 1.5M	1/4" M	302°F	\$28.05
Aluminum Lances									
m	5220	12"	Aluminum	4,000	10.5	1/4" M	1/4" M	300°F	\$8.13
n	5221	36"	Aluminum	4,000	10.5	1/4" M	1/4" M	300°F	\$22.29
o	5222	48"	Aluminum	4,000	10.5	1/4" M	1/4" M	300°F	\$27.89
p	5223	72"	Aluminum	4,000	10.5	1/4" M	1/4" M	300°F	\$43.08
q	5224	96"	Aluminum	4,000	10.5	1/4" M	1/4" M	300°F	\$58.87
r	5226	12"	Aluminum	4,000	10.5	22mm x 1.5M	1/4" F QC	300°F	\$19.63
s	5227	36"	Aluminum	4,000	10.5	1/4" Plug	1/4" F QC	300°F	\$33.51
t	5228	48"	Aluminum	4,000	10.5	1/4" Plug	1/4" F QC	300°F	\$39.24
u	5229	72"	Aluminum	4,000	10.5	1/4" Plug	1/4" F QC	300°F	\$54.74
v	5230	96"	Aluminum	4,000	10.5	1/4" Plug	1/4" F QC	300°F	\$70.24



ACCESSORIES

LANCES - HIGH PRESSURE



MOD	LENGTH in	PIPE MATERIAL	 MAX psi	 MAX gpm	INLET in	OUTLET mm	MAX TEMP ° F	LIST PRICE \$
S6-RL600 High Pressure								
a AR40402	31.5"	S.S.	9,570	15.8	1/4" F	1/4" F	210° F	\$390.85
RL80-RL19 High Pressure								
b AR40404	31.5"	S.S.	8,100	21	1/2" M	1/4" F	210° F	\$373.47
c AR40405	50"	S.S.	8,100	21	1/2" M	1/4" F	210° F	\$682.02
L70 High Pressure								
d L70-32	32"	S.S.	9,280	16	3/8" M	1/4" F	320° F	\$210.69
e L70-48	48"	S.S.	9,280	16	3/8" M	1/4" F	320° F	\$288.96
L200 High Pressure								
f L200-32	32"	S.S.	7,250	52.8	1/2" M	1/4" F	194° F	\$246.81
g L200-48	48"	S.S.	7,250	52.8	1/2" M	1/4" F	194° F	\$427.40
L200 HE Suitable for hydro excavation.								
h L200-HE-48	47"	S.S.	8,100	53	1/2" M	1/2" NPT M	104° F	\$320.62
i L200-HE-60	59"	S.S.	8,100	53	1/2" M	1/2" NPT M	104° F	\$351.01
j L200-HE-72	71"	S.S.	8,100	53	1/2" M	1/2" NPT M	104° F	\$407.69



LANCES - SPECIALTY



MOD	LENGTH	PIPE MATERIAL	 MAX psi	 MAX gpm	INLET	OUTLET	MAX TEMP	LIST PRICE
	in				in	mm	° F	\$

Gutter Cleaner Lances

a	5807	12"	-	4,000	-	1/4" QC	1/4" QC Socket	-	\$21.22
----------	------	-----	---	-------	---	---------	----------------	---	---------

Underbody Lances

b	MVUBL	31"	-	4,060	10.6	22mm x 1.5 M	1/4" M	300° F	\$43.91
----------	-------	-----	---	-------	------	--------------	--------	--------	---------



MOD	LENGTH	PIPE MATERIAL	 MAX psi	 MAX gpm	INLET	OUTLET	MAX TEMP	LIST PRICE
	in				in	mm	° F	\$

Telescoping Lances

Pipe-threaded inlet. Length is in three sections.

a	ARTEL-18	6' - 18'	Fiberglass	4,000	7	3/8" M	1/4" QC	300° F	\$328.14
b	ARTEL-24	10' - 24'	Fiberglass	4,000	7	3/8" M	1/4" QC	300° F	\$364.15
c	ARTEL-18A	6' - 18'	Aluminum	4,000	7	3/8" M	1/4" QC	300° F	\$504.16
d	ARTEL-24A	10' - 24'	Aluminum	4,000	7	3/8" M	1/4" QC	300° F	\$624.55
e	ARTEL-18C "Crane"	6' - 18'	Aluminum	4,000	7	3/8" M	1/4" QC	300° F	\$234.75



a

MOD	DESCRIPTION	LIST PRICE
-----	-------------	------------

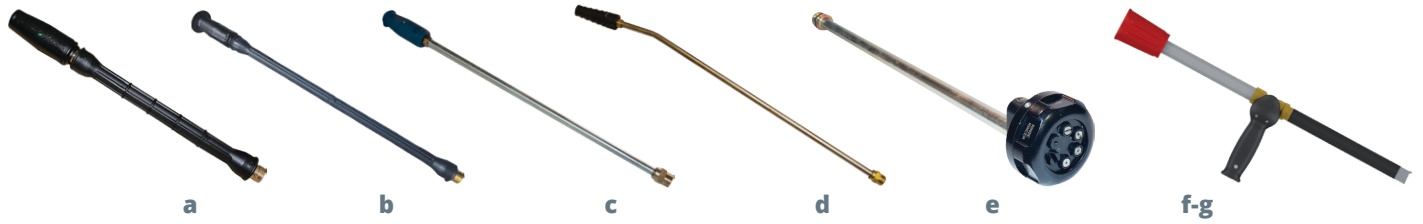
Artel Belt

a	ARTEL-BELT ASSY	33" to 58" Waist	\$29.49
----------	-----------------	------------------	---------



ACCESSORIES

LANCES - WITH NOZZLES



MOD	LENGTH in	PIPE MATERIAL	 MAX psi	 MAX gpm	INLET in	OUTLET mm	MAX TEMP ° F	LIST PRICE \$
AL236 VSN - (Vari-spray Nozzle) / AL413R (Specify nozzle angle 0° to 45°)								
a AL236	12"	Zinc	2,200	5.5	22mm x 1.5 M	VSN	140° F	\$48.16
ALT10 VSN - (Vari-spray Nozzle) / AL413R (Specify nozzle angle 0° to 45°)								
b ALT10	18"	Zinc	3,200	5.5	22mm x 1.5 M	VSN	140° F	\$54.29
Lances with Variable Nozzle Head								
c 5906	15"	Zinc	2,500	6.5	22mm x 1.5 F	Variable	300° F	\$33.51
d 5910	15" (w/bend)	Zinc	3,000	6.5	22mm x 1.5 F	Variable	300° F	\$42.35
Lances with Multiple Head Nozzle								
e 5840	18"	Zinc	3,000	-	22mm x 1.5 M	-	-	\$81.31
LM25 Wand								
f LM25	21.5"	S.S	3,625	12	R 1/4" M	M15 x 1 F	194° F	\$163.12
g LM25-30	30"	S.S	3,625	12	R 1/4" M	M15 x 1 F	194° F	\$172.33
h ML4039900014	LM25 Gasket Repair Kit							\$14.36



MOD	INLET in	NOZZLE ORIFICE SIZE mm	LIST PRICE \$
Nozzles for LM25			
a ML8278001	M15 x 1	1.2	\$12.62
b MLU00000199	M15 x 1	1.5	\$18.81
c ML8278003	M15 x 1	1.8	\$12.62
d ML8278004	M15 x 1	2.0	\$12.62
e ML8278005	M15 x 1	2.3	\$12.62
f ML8278006	M15 x 1	2.5	\$12.62
g ML8278007	M15 x 1	3.0	\$12.62
h ML8278015	M15 x 1	3.5	\$12.62



NOZZLES - FLARED & ROTARY



a

MOD	SPRAY PATTERN	AVAILABLE NOZZLE SIZE	 MAX	 MAX	INLET	OUTLET	MAX TEMP	LIST PRICE
	°	mm	psi	gpm	in		° F	\$

Flared Vari-Spray Nozzle

The Vari-Spray nozzle gives the user flexibility to choose the correct spray pattern of any application. Get 0° to 50° coverage adjustable by turning the nozzle head. Push pull for high pressure or low pressure for soap.

a AL413F	0° - 50°	1.00 - 1.80	3,200	5.5	1/4" F	VSN	140° F	\$23.01
----------	----------	-------------	-------	-----	--------	-----	--------	---------



a

MOD	ORIFICE SIZE	NOZZLE SIZE	 MAX	INLET	COLOR ID	MAX TEMP	LIST PRICE
	mm		psi	in		° F	\$

ID RotoJet 2 Series Nozzles

a IDROJET2-1.15	1.15	3.7	3,600	1/4" F	Red	140° F	\$33.28
b IDROJET2-1.20	1.20	4	3,600	1/4" F	Blue	140° F	\$33.28
c IDROJET2-1.25	1.25	4.3	3,600	1/4" F	Brown	140° F	\$33.28
d IDROJET2-1.30	1.30	4.5	3,600	1/4" F	Orange	140° F	\$33.28
e IDROJET2-1.35	1.35	5	3,600	1/4" F	Green	140° F	\$33.28
f IDROJET2-1.45	1.45	5.5	3,600	1/4" F	Black	140° F	\$33.28
g IDROJET2-1.60	1.60	6	3,600	1/4" F	Purple	140° F	\$33.28



a-c

MOD	NOZZLE SIZE	 MAX	INLET	MAX TEMP	LIST PRICE
		psi	in	° F	\$

TPR 250 HE

Suitable for hydro excavation.

a TPRHE250-08	8	3,600	1/2" NPT F	194° F	\$547.08
b TPRHE250-10	10	3,600	1/2" NPT F	194° F	\$547.08
c TPRHE250-12	12	3,600	1/2" NPT F	194° F	\$547.08



ACCESSORIES

ROTARY NOZZLES



a-j



o-u



a-m



u-z

MOD	NOZZLE SIZE	 MAX	INLET	MAX TEMP	LIST PRICE
		psi	in	° F	\$

RotoJet 255 Series Nozzles

a	ROTOJET255-02	2	3,700	1/4" F	210° F	\$110.25
b	ROTOJET255-025	2.5	3,700	1/4" F	210° F	\$110.25
c	ROTOJET255-03	3	3,700	1/4" F	210° F	\$110.25
d	ROTOJET255-035	3.5	3,700	1/4" F	210° F	\$110.25
e	ROTOJET255-04	4	3,700	1/4" F	210° F	\$110.25
f	ROTOJET255-05	5	3,700	1/4" F	210° F	\$110.25
g	ROTOJET255-055	5.5	3,700	1/4" F	210° F	\$110.25
h	ROTOJET255-06	6	3,700	1/4" F	210° F	\$110.25
i	ROTOJET255-065	6.5	3,700	1/4" F	210° F	\$110.25
j	ROTOJET255-07	7	3,700	1/4" F	210° F	\$110.25
k	MV0204107300	Kit: RotoJet255-02				\$82.13
l	MV0204107360	Kit: RotoJet255-05				\$82.13
m	MV0204107390	Kit: RotoJet255-065				\$82.13
n	MV0204107400	Kit: RotoJet255-07				\$82.13

RotoJet 310 Series Nozzles

o	ROTOJET310-03	3	4,500	1/4" F	210° F	\$165.25
p	ROTOJET310-035	3.5	4,500	1/4" F	210° F	\$165.25
q	ROTOJET310-04	4	4,500	1/4" F	210° F	\$165.25
r	ROTOJET310-045	4.5	4,500	1/4" F	210° F	\$165.25
s	ROTOJET310-05	5	4,500	1/4" F	210° F	\$165.25
t	ROTOJET310-055	5.5	4,500	1/4" F	210° F	\$165.25
u	ROTOJET310-06	6	4,500	1/4" F	210° F	\$165.25
v	MV0204106510	Kit: RotoJet310-04				\$106.08
w	MV0204106515	Kit: RotoJet310-045				\$106.08

MOD	NOZZLE SIZE	 MAX	INLET	MAX TEMP	LIST PRICE
		psi	in	° F	\$

RotoJet 400 Series Nozzles

a	ROTOJET400-020	2	5,800	1/4" F	210° F	\$251.90
b	ROTOJET400-03	3	5,800	1/4" F	210° F	\$251.90
c	ROTOJET400-035	3.5	5,800	1/4" F	210° F	\$251.90
d	ROTOJET400-045	4.5	5,800	1/4" F	210° F	\$251.90
e	ROTOJET400-055	5.5	5,800	1/4" F	210° F	\$251.90
f	ROTOJET400-065	6.5	5,800	1/4" F	210° F	\$251.90
g	ROTOJET400-07	7	5,800	1/4" F	210° F	\$251.90
h	ROTOJET400-075	7.5	5,800	1/4" F	210° F	\$251.90
i	ROTOJET400-09	9	5,800	1/4" F	210° F	\$251.90
j	ROTOJET400-10	10	5,800	1/4" F	210° F	\$251.90
k	ROTOJET400-12	12	5,800	1/4" F	210° F	\$251.90
l	ROTOJET400-15	15	5,800	1/4" F	210° F	\$307.60
m	ROTOJET400-20	20	5,800	1/4" F	210° F	\$307.60
n	MV0204106915	Kit: RotoJet400-045				\$127.78
o	MV0204106945	Kit: RotoJet400-075				\$127.78
p	MV0204106960	Kit: RotoJet400-09				\$127.78
q	MV0204106970	Kit: RotoJet400-10				\$127.78
r	ML0204106990	Kit: RotoJet400-12				\$127.78
s	MV0204107020	Kit: RotoJet400-15				\$203.80
t	MV0204107070	Kit: RotoJet400-20				\$203.80

RotoJet 500 Series Nozzles - Stainless Steel

u	ROTOJET500-055	5.5	7,250	1/4" F	210° F	\$1,596.78
v	ROTOJET500-06	6	7,250	1/4" F	210° F	\$1,596.78
w	ROTOJET500-065	6.5	7,250	1/4" F	210° F	\$1,596.78
x	ROTOJET500-07	7	7,250	1/4" F	210° F	\$1,596.78
y	ROTOJET500-08	8	7,250	1/4" F	210° F	\$2,132.07
z	ROTOJET500-09	9	7,250	1/4" F	210° F	\$2,132.07
a2	MV4059900000	Kit: RotoJet500-03				\$698.78
b2	MV0204106810	Kit: RotoJet500-04				\$673.61
c2	MV4059900003	Kit: RotoJet500-45				\$707.35
d2	ML4059900004	Kit: RotoJet500-05				\$673.61
e2	MV0204106850	Kit: RotoJet500-08				\$673.61



ROTARY NOZZLES



a-g



h-j

MOD	SPRAY PATTERN	NOZZLE SIZE	 MAX	INLET	MAX TEMP	LIST PRICE
	°		psi	in	° F	\$

Rotary Series Nozzles

Rotating high impact ceramic nozzle 0° impact with 25° pattern

a	5402	25°	3.5	4,000	1/4" F	194° F	\$101.22
b	5403	25°	4	4,000	1/4" F	194° F	\$101.22
c	5404	25°	4.5	4,000	1/4" F	194° F	\$101.22
d	5410	25°	3.5	5,000	1/4" F	194° F	\$225.89
e	5411	25°	4	5,000	1/4" F	194° F	\$225.89
f	5412	25°	4.5	5,000	1/4" F	194° F	\$225.89
g	5413	25°	5	5,000	1/4" F	194° F	\$225.89

High Pressure Rotating Nozzle

h	AR40395	20°	4	7,000	1/4" F	194° F	\$2,376.55
i	AR50726	20°	6	7,000	1/4" F	194° F	\$2,106.05
j	AR40396	20°	4.5	7,000	1/4" F	194° F	\$2,471.20



a-g

MOD	ORIFICE SIZE	NOZZLE SIZE	 MAX	INLET	COLOR ID	MAX TEMP	LIST PRICE
	mm		psi	in		° F	\$

TPL Series

The Turbo Nozzle delivers maximum cleaning power. The internally rotating nozzle conveys the water power spins it in a circle to clean a much larger area. For best results, match pump output specification to those of the turbo nozzle.

a	TPL027	1.0	2.7	4,000	1/4" F	Lilac	194° F	\$64.57
b	TPL033	1.1	3.3	4,000	1/4" F	Light Green	194° F	\$64.57
c	TPL039	1.2	3.9	4,000	1/4" F	Dark Green	194° F	\$64.57
d	TPL046	1.3	4.6	4,000	1/4" F	Dark Yellow	194° F	\$64.57
e	TPL052	1.4	5.2	4,000	1/4" F	Brown	194° F	\$64.57



ACCESSORIES

ROTARY NOZZLES



20° Spray Angle

a-m



20° Spray Angle

a-m

MOD	NOZZLE SIZE	 MAX	INLET	MAX TEMP	LIST PRICE
		psi	in	° F	\$

TPR - 255 Series Rotating Nozzles

Vertical Start

a	TPR255-02	2	3,700	1/4" F	212° F	\$120.75
b	TPR255-025	2.5	3,700	1/4" F	212° F	\$120.75
c	TPR255-03	3	3,700	1/4" F	212° F	\$120.75
d	TPR255-035	3.5	3,700	1/4" F	212° F	\$120.75
e	TPR255-04	4	3,700	1/4" F	212° F	\$120.75
f	TPR255-045	4.5	3,700	1/4" F	212° F	\$120.75
g	TPR255-05	5	3,700	1/4" F	212° F	\$120.75
h	TPR255-055	5.5	3,700	1/4" F	212° F	\$120.75
i	TPR255-06	6	3,700	1/4" F	212° F	\$120.75
j	TPR255-065	6.5	3,700	1/4" F	212° F	\$120.75
k	TPR255-07	7	3,700	1/4" F	212° F	\$120.75
l	TPR255-075	7.5	3,700	1/4" F	212° F	\$120.75
m	TPR255-08	8	3,700	1/4" F	212° F	\$120.75
n	ML4069900017	Kit: TPR255-02				\$63.70
o	ML4069900018	Kit: TPR255-025				\$63.70
p	ML4069900019	Kit: TPR255-03				\$63.70
q	ML4069900020	Kit: TPR255-035				\$63.70
r	ML4069900021	Kit: TPR255-04				\$63.70
s	ML4069900022	Kit: TPR255-045				\$63.70
t	ML4069900023	Kit: TPR255-05				\$63.70
u	ML4069900024	Kit: TPR255-055				\$63.70
v	ML4069900025	Kit: TPR255-06				\$63.70
w	ML4069900026	Kit: TPR255-065				\$63.70
x	ML4069900027	Kit: TPR255-07				\$63.70
y	ML4069900028	Kit: TPR255-075				\$63.70
z	ML4069900029	Kit: TPR255-08				\$63.70

MOD	NOZZLE SIZE	 MAX	INLET	MAX TEMP	LIST PRICE
		psi	in	° F	\$

TPR - 350 Series Rotating Nozzles

Vertical Start

a	TPR350-02	2	5,075	1/4" F	212° F	\$164.66
b	TPR350-025	2.5	5,075	1/4" F	212° F	\$164.66
c	TPR350-03	3	5,075	1/4" F	212° F	\$164.66
d	TPR350-035	3.5	5,075	1/4" F	212° F	\$164.66
e	TPR350-04	4	5,075	1/4" F	212° F	\$164.66
f	TPR350-045	4.5	5,075	1/4" F	212° F	\$164.66
g	TPR350-05	5	5,075	1/4" F	212° F	\$164.66
h	TPR350-055	5.5	5,075	1/4" F	212° F	\$164.66
i	TPR350-06	6	5,075	1/4" F	212° F	\$164.66
j	TPR350-065	6.5	5,075	1/4" F	212° F	\$164.66
k	TPR350-07	7	5,075	1/4" F	212° F	\$164.66
l	TPR350-075	7.5	5,075	1/4" F	212° F	\$164.66
m	TPR350-08	8	5,075	1/4" F	212° F	\$164.66
n	ML4069900034	Kit: TPR350-02				\$75.27
o	ML4069900035	Kit: TPR350-025				\$75.27
p	ML4069900036	Kit: TPR350-03				\$75.27
q	ML4069900037	Kit: TPR350-035				\$75.27
r	ML4069900038	Kit: TPR350-04				\$75.27
s	ML4069900039	Kit: TPR350-045				\$75.27
t	ML4069900040	Kit: TPR350-05				\$75.27
u	ML4069900041	Kit: TPR350-055				\$75.27
v	ML4069900042	Kit: TPR350-06				\$75.27
w	ML4069900043	Kit: TPR350-065				\$75.27
x	ML4069900044	Kit: TPR350-07				\$75.27
y	ML4069900045	Kit: TPR350-075				\$75.27
z	ML4069900046	Kit: TPR350-08				\$75.27



ROTARY NOZZLES



a-m

MOD	SPRAY ANGLE	NOZZLE SIZE	 MAX psi	INLET in	MAX TEMP ° F	LIST PRICE \$	
TPR - 400 Series Rotating Nozzles							
Vertical Start							
a	TPR400-02	20°	2	5,800	1/4" F	212° F	\$252.12
b	TPR400-025	20°	2.5	5,800	1/4" F	212° F	\$252.12
c	TPR400-03	20°	3	5,800	1/4" F	212° F	\$252.12
d	TPR400-035	20°	3.5	5,800	1/4" F	212° F	\$252.12
e	TPR400-04	20°	4	5,800	1/4" F	212° F	\$252.12
f	TPR400-045	20°	4.5	5,800	1/4" F	212° F	\$252.12
g	TPR400-05	20°	5	5,800	1/4" F	212° F	\$252.12
h	TPR400-055	20°	5.5	5,800	1/4" F	212° F	\$252.12
i	TPR400-06	20°	6	5,800	1/4" F	212° F	\$252.12
j	TPR400-065	20°	6.5	5,800	1/4" F	212° F	\$252.12
k	TPR400-07	20°	7	5,800	1/4" F	212° F	\$252.12
l	TPR400-075	20°	7.5	5,800	1/4" F	212° F	\$252.12
m	TPR400-08	20°	8	5,800	1/4" F	212° F	\$252.12
n	TPR400-10	20°	10	5,800	1/2" F	212° F	\$252.12
o	TPR400-12	20°	12	5,800	1/2" F	212° F	\$252.12
p	ML4069900051	Kit: TPR400-02					\$115.81
q	ML4069900052	Kit: TPR400-025					\$115.81
r	ML4069900053	Kit: TPR400-03					\$115.81
s	ML4069900054	Kit: TPR400-035					\$115.81
t	ML4069900055	Kit: TPR400-04					\$115.81
u	ML4069900056	Kit: TPR400-045					\$115.81
v	ML4069900057	Kit: TPR400-05					\$115.81
w	ML4069900058	Kit: TPR400-055					\$115.81
x	ML4069900059	Kit: TPR400-06					\$115.81
y	ML4069900060	Kit: TPR400-065					\$115.81
z	ML4069900061	Kit: TPR400-07					\$115.81
a2	ML4069900062	Kit: TPR400-075					\$115.81
b2	ML4069900063	Kit: TPR400-08					\$115.81
c2	ML4069900064	Kit: TPR400-09					\$173.10
d2	ML4069900065	Kit: TPR400-10					\$173.10
e2	ML4069900066	Kit: TPR400-11					\$173.10
f2	ML4069900067	Kit: TPR400-12					\$173.10



ACCESSORIES

ROTARY NOZZLES



20° Spray Angle

a-l

MOD	NOZZLE SIZE	 MAX	INLET	MAX TEMP	LIST PRICE
		psi	in	° F	\$

TPR - 600 Series Stainless Steel Rotating Nozzles

Vertical Start

a	TPR600-02	2	8700	1/4" F	212° F	\$1,081.31
b	TPR600-025	2.5	8700	1/4" F	212° F	\$1,081.31
c	TPR600-03	3	8700	1/4" F	212° F	\$1,081.31
d	TPR600-035	3.5	8700	1/4" F	212° F	\$1,081.31
e	TPR600-04	4	8700	1/4" F	212° F	\$1,081.31
f	TPR600-045	4.5	8700	1/4" F	212° F	\$1,081.31
g	TPR600-05	5	8700	1/4" F	212° F	\$1,081.31
h	TPR600-055	5.5	8700	1/4" F	212° F	\$1,081.31
i	TPR600-06	6	8700	1/4" F	212° F	\$1,081.31
j	TPR600-065	6.5	8700	1/4" F	212° F	\$1,081.31
k	TPR600-07	7	8700	1/4" F	212° F	\$1,081.31
l	TPR600-075	7.5	8700	1/4" F	212° F	\$1,081.31
m	ML4069900068	Kit: TPR600-02				\$593.50
n	ML4069900069	Kit: TPR600-025				\$593.50
o	ML4069900070	Kit: TPR600-03				\$593.50
p	ML4069900071	Kit: TPR600-035				\$593.50
q	ML4069900072	Kit: TPR600-04				\$593.50
r	ML4069900073	Kit: TPR600-045				\$593.50
s	ML4069900074	Kit: TPR600-05				\$593.50
t	ML4069900075	Kit: TPR600-055				\$593.50
u	ML4069900076	Kit: TPR600-06				\$593.50
v	ML4069900077	Kit: TPR600-065				\$593.50
w	ML4069900078	Kit: TPR600-07				\$593.50
x	ML4069900079	Kit: TPR600-075				\$593.50



20° Spray Angle

a-l

MOD	NOZZLE SIZE	 MAX	INLET	MAX TEMP	LIST PRICE
		psi	in	° F	\$

TPR - 800 Series Stainless Steel Rotating Nozzles

Vertical Start

a	TPR800-02	2	11,600	1/4" F	212° F	\$1,872.51
b	TPR800-025	2.5	11,600	1/4" F	212° F	\$1,872.51
c	TPR800-03	3	11,600	1/4" F	212° F	\$1,872.51
d	TPR800-035	3.5	11,600	1/4" F	212° F	\$1,872.51
e	TPR800-04	4	11,600	1/4" F	212° F	\$1,872.51
f	TPR800-045	4.5	11,600	1/4" F	212° F	\$1,872.51
g	TPR800-05	5	11,600	1/4" F	212° F	\$1,872.51
h	TPR800-055	5.5	11,600	1/4" F	212° F	\$1,872.51
i	TPR800-06	6	11,600	1/4" F	212° F	\$1,872.51
j	TPR800-065	6.5	11,600	1/4" F	212° F	\$1,872.51
k	TPR800-07	7	11,600	1/4" F	212° F	\$1,872.51
l	TPR800-075	7.5	11,600	1/4" F	212° F	\$1,872.51
m	ML4069900080	Kit: TPR800-02				\$694.82
n	ML4069900081	Kit: TPR800-025				\$694.82
o	ML4069900082	Kit: TPR800-03				\$694.82
p	ML4069900083	Kit: TPR800-035				\$694.82
q	ML4069900084	Kit: TPR800-04				\$694.82
r	ML4069900085	Kit: TPR800-045				\$694.82
s	ML4069900086	Kit: TPR800-05				\$694.82
t	ML4069900087	Kit: TPR800-055				\$694.82
u	ML4069900088	Kit: TPR800-06				\$694.82
v	ML4069900089	Kit: TPR800-065				\$694.82
w	ML4069900090	Kit: TPR800-07				\$694.82
x	ML4069900091	Kit: TPR800-075				\$694.82



HIGH PRESSURE SOAP NOZZLES



a



b-c




d



e



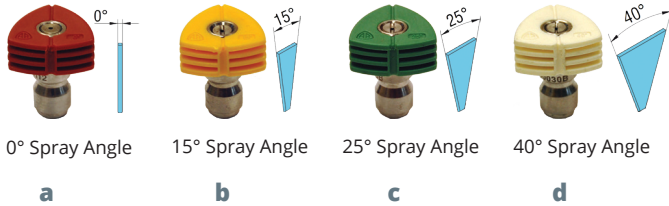
f-h

MOD	SPRAY ANGLE	NOZZLE SIZE	CONNECT TYPE	 MAX psi	LIST PRICE \$
NZM - MEG Soap Nozzles					
a NZM6540S	65°	40.0	MEG	500	\$3.90
NZ - Quick Connect Nozzles					
b NZ2540QCS	25°	40.0	QC	500	\$13.44
c NZ5050QCS	50°	50.0	QC	500	\$12.51
d NZM6540QCSB	65°	40.0	QC	500	\$6.39
e NZ0-6540QCS	0-65°	40.0	QC	500	\$17.97
NZ - MEG Soap Nozzles					
f NZ4040S	40°	40.0	MEG	500	\$9.32
g NZ6540S	65°	40.0	MEG	500	\$8.36
h NZ8040S	80°	40.0	MEG	500	\$9.32

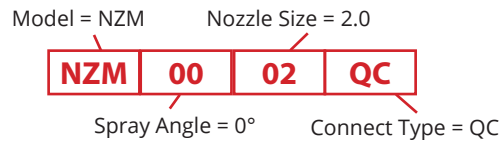


ACCESSORIES

QUICK CONNECT NOZZLES



QC Ordering Nozzle Guide



MOD	SPRAY ANGLE	AVAILABLE NOZZLE SIZES	CONNECT TYPE	MAX psi	MAX TEMP ° F	LIST PRICE \$
-----	-------------	------------------------	--------------	------------	-----------------	------------------

NZM 1/4" Quick Connect Nozzles

a	NZM	0° (Red)		QC	4,000	212° F	\$6.61
b	NZM	15° (Yellow)	2.0, 2.5, 3.0, 3.5, 4.0, 4.5, 5.0, 5.5,	QC	4,000	212° F	\$6.61
c	NZM	25° (Green)	6.0, 6.5, 7.0, 7.5, 8.0, 8.5, 9.0, 9.5, 10	QC	4,000	212° F	\$6.61
d	NZM	40° (White)		QC	4,000	212° F	\$6.61

NZ 1/4" Quick Connect Nozzles

e	NZ	0° (Red)	3.0, 3.5, 4.0, 4.5, 5.0, 5.5, 6.0, 6.5, 7.0, 7.5, 8.0, 10.0, 12.0	QC	4,000	300° F	\$14.81
f	NZ	15° (Yellow)	3.0, 3.5, 4.0, 4.5, 5.0, 5.5, 6.0, 6.5, 7.0, 7.5, 8.0, 9.0, 10.0, 12.0, 15.0	QC	4,000	300° F	\$14.81
g	NZ	25° (Green)	2.0, 3.0, 3.5, 4.0, 4.5, 5.0, 5.5, 6.0, 6.5, 7.0, 7.5, 8.0, 9.0, 10.0, 12.0	QC	4,000	300° F	\$14.81
h	NZ	40° (White)	2.0, 3.0, 3.5, 4.0, 4.5, 5.0, 5.5, 6.0, 6.5, 7.0, 7.5, 8.0, 9.0, 10.0, 12.0, 15.0	QC	4,000	300° F	\$14.81

NZC 1/4" Quick Connect Nozzles - Ceramic

i	NZC	0° (Red)		QC	5,075	300° F	\$30.10
j	NZC	15° (Yellow)	2.0, 2.5, 3.0, 3.5, 4.0, 4.5, 5.0, 5.5, 6.0,	QC	5,075	300° F	\$30.10
k	NZC	25° (Green)	6.5, 7.0, 7.5, 8.0, 9.0, 10.0, 11.0, 12.0, 15.0	QC	5,075	300° F	\$30.10
l	NZC	40° (White)		QC	5,075	300° F	\$30.10

*Larger nozzle sizes available.
Call for more details.



QUICK CONNECT NOZZLE MULTI-PACKS



a-d








e-h



i-l



m-p

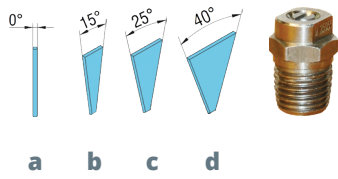
MOD	SPRAY ANGLE	AVAILABLE NOZZLE SIZES	CONNECT TYPE	 MAX psi	LIST PRICE \$	
4-Packs 						
a	NZQC4P-030	0°- 40°	3.0	QC	4,000	\$51.23
b	NZQC4P-035	0°- 40°	3.5	QC	4,000	\$51.23
c	NZQC4P-040	0°- 40°	4.0	QC	4,000	\$51.23
d	NZQC4P-045	0°- 40°	4.5	QC	4,000	\$51.23
5-Packs Includes 50° Spray Angle Soap Nozzle 						
e	NZQC5P-030	0°- 40°	3.0	QC	4,000	\$58.06
f	NZQC5P-035	0°- 40°	3.5	QC	4,000	\$63.16
g	NZQC5P-040	0°- 40°	4.0	QC	4,000	\$63.16
h	NZQC5P-045	0°- 40°	4.5	QC	4,000	\$58.06
4-Packs 						
i	NZMQC4P-030	0°- 40°	3.0	QC	4,000	\$35.30
j	NZMQC4P-035	0°- 40°	3.5	QC	4,000	\$35.30
k	NZMQC4P-040	0°- 40°	4.0	QC	4,000	\$35.30
l	NZMQC4P-045	0°- 40°	4.5	QC	4,000	\$35.30
5-Packs Includes 50° Spray Angle Soap Nozzle 						
m	NZMQC5P-030	0°- 40°	3.0	QC	4,000	\$37.06
n	NZMQC5P-035	0°- 40°	3.5	QC	4,000	\$37.06
o	NZMQC5P-040	0°- 40°	4.0	QC	4,000	\$37.06
p	NZMQC5P-045	0°- 40°	4.5	QC	4,000	\$37.06

*Additional nozzle size packs available upon request.

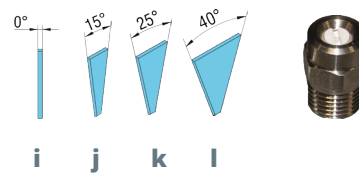
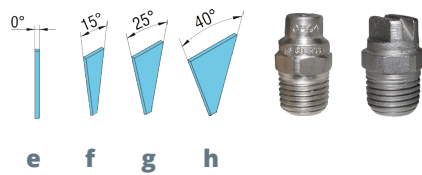
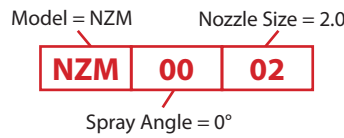






ACCESSORIES

MEG NOZZLES



MEG Ordering Nozzle Guide



MOD	SPRAY ANGLE	AVAILABLE NOZZLE SIZES	CONNECT TYPE	 MAX psi	LIST PRICE \$
NZM 1/4" MEG Nozzles 					
a	NZM 0°		MEG	4,000	\$6.96
b	NZM 15°	2.0, 2.5, 3.0, 3.5, 4.0, 4.5, 5.0, 5.5,	MEG	4,000	\$6.96
c	NZM 25°	6.0, 6.5, 7.0, 7.5, 8.0, 8.5, 9.0, 9.5, 10	MEG	4,000	\$6.96
d	NZM 40°		MEG	4,000	\$6.96
NZ 1/4" MEG Nozzles 					
e	NZ 0°	3.0, 3.5, 4.0, 4.5, 5.0, 5.5, 6.0, 6.5	MEG	4,000	\$12.39
f	NZ 15°	3.0, 3.5, 4.0, 4.5, 5.0, 5.5, 6.0, 6.5, 10.0	MEG	4,000	\$12.39
g	NZ 25°	3.0, 3.5, 4.0, 4.5, 5.0, 5.5, 6.0, 6.5	MEG	4,000	\$12.39
h	NZ 40°	3.0, 3.5, 4.0, 4.5, 5.0, 5.5, 6.0, 6.5	MEG	4,000	\$12.39
NZC 1/4" MEG Nozzles - Ceramic 					
i	NZC 0°	1.0, 2.0, 2.5, 3.0, 3.5, 4.0, 4.5, 5.0, 5.5, 6.0, 6.5, 7.0, 7.5, 8.0, 8.5, 9.0, 10.0, 11.0, 12.0, 15.0	MEG	5,000	\$24.62
j	NZC 15°	1.0, 1.5, 2.0, 2.5, 3.0, 3.5, 4.0, 4.5, 5.0, 5.5, 6.0, 6.5, 7.0, 7.5, 8.0, 8.5, 9.0, 10.0, 11.0, 12.0, 15.0	MEG	5,000	\$24.62
k	NZC 25°	1.0, 1.5, 2.0, 2.5, 3.0, 3.5, 4.0, 4.5, 5.0, 5.5, 6.0, 6.5, 7.0, 7.5, 8.0, 8.5, 9.0, 10.0, 11.0, 12.0, 15.0	MEG	5,000	\$24.62
l	NZC 40°	1.0, 1.5, 2.0, 2.5, 3.0, 3.5, 4.0, 4.5, 5.0, 5.5, 6.0, 6.5, 7.0, 7.5, 8.0, 8.5, 9.0, 10.0, 11.0, 12.0, 15.0	MEG	5,000	\$24.62

*Larger nozzle sizes available.
Call for more details.






MEG NOZZLE MULTI-PACKS



a-d



e-h

MOD	SPRAY ANGLE	AVAILABLE NOZZLE SIZES	CONNECT TYPE	 psi	LIST PRICE \$	
4-Packs 						
a	NZMEG4P-030	0°- 40°	3.0	MEG	4,000	\$57.02
b	NZMEG4P-035	0°- 40°	3.5	MEG	4,000	\$57.02
c	NZMEG4P-040	0°- 40°	4.0	MEG	4,000	\$57.02
d	NZMEG4P-045	0°- 40°	4.5	MEG	4,000	\$57.02
5-Packs  Includes 50° Spray Angle Soap Nozzle						
e	NZMEG5P-030	0°- 40°	3.0	MEG	4,000	\$66.79
f	NZMEG5P-035	0°- 40°	3.5	MEG	4,000	\$66.79
g	NZMEG5P-040	0°- 40°	4.0	MEG	4,000	\$66.79
h	NZMEG5P-045	0°- 40°	4.5	MEG	4,000	\$66.79

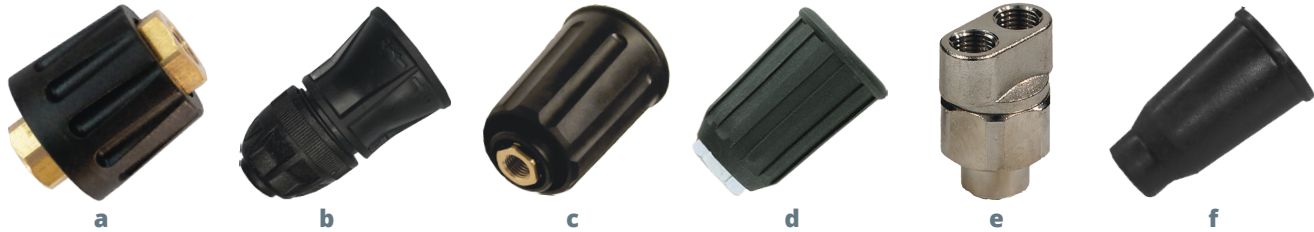
*Additional nozzle size packs available upon request.





ACCESSORIES

NOZZLE HOLDERS

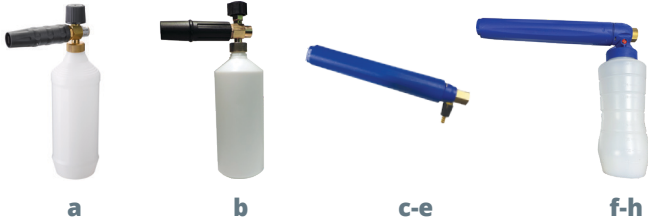
The Nozzle Holders offer a simple method for controlling pressure in the system. Available as an adjustable hi/low nozzle holder, or as a change over nozzle. These fittings reduce the work needed during typical cleaning operations.



MOD	 MAX psi	 MAX gpm	INLET in	OUTLET	MAX TEMP ° F	LIST PRICE \$
5420 - Chemical Application Nozzle Holder						
a 5420	3,600	8	1/4" F	1/4" F	300°	\$20.81
AN25 Adjustable Nozzle Holder						
b AN25	3,650	8	1/4" F	1/4" F	320°	\$29.51
AN28 Hi/Low Nozzle Holder						
c AN28	4,060	8	1/4" F (G)	1/4" F (NPT)	320°	\$37.18
MV114 Nozzle Holder						
d MV114	5,075	16	1/4" F	1/4" F	300°	\$6.26
AL416 Change Over Nozzle						
e AL416	2,900	8	1/4" F	2 x 1/4" F	300°	\$47.80
AL14TP Nozzle Protector						
f AL14TP	-	-	1/4" F	-	300°	\$6.85



FOAMERS



MOD	ORIFICE SIZE	NOZZLE SIZE	 MAX	 MAX	INLET	MAX TEMP	LIST PRICE
	mm		psi	gpm	in	° F	\$

Foamers



a	FL803	1.25	3.5	2,900	4.8	1/4" F	140° F	\$104.69
b	AR5940K	1.25	3.5	4,000	2.8	1/4" F	140° F	\$82.18
c	FL1000I-1.6	1.6	6.0	4,500	8	1/4" F	140° F	\$153.44
d	FL1000I-1.8	1.8	9.0	4,500	8	1/4" F	140° F	\$153.44
e	FL1000I-2.1	2.1	12.0	4,500	8	1/4" F	140° F	\$153.44
f	FL1000B-1.6	1.6	6.0	4,500	8	1/4" F	140° F	\$162.88
g	FL1000B-1.8	1.8	9.0	4,500	8	1/4" F	140° F	\$162.88
h	FL1000B-2.1	2.1	12.0	4,500	8	1/4" F	140° F	\$162.88



ACCESSORIES

BOLONDI CLEANING HEADS



MOD	# OF NOZZLES	MATERIAL	 MAX	 MAX	WATER INLET	MIN. PASS THRU HOLE	MAX TEMP		
			gpm	psi	in	in	° F		
BISW060-CF 2 or 4 Nozzle option. Stainless Steel Body.									
a	BISW060	<input type="radio"/> ●	4	Aluminum-Brass OT58 - 316L S.S.	15	2900	1" F	4"	194°F
b	BISW060-LCH	<input type="radio"/> ●	4	All 316L S.S.	15	2900	1" F	4"	194°F
c	BISW060(CF)-2	<input type="radio"/> ●	2	Aluminum-Brass OT58 - 316L S.S.	15	2900	1" F	4"	194°F
BISW060-LC 2 or 4 Nozzle option. Aluminum Body.									
d	BISW060LC-2	<input type="radio"/> ●	2	Aluminum-Brass OT58	15	2900	1/2" F	4"	194°F
e	BISW060LC	<input type="radio"/> ●	4	Aluminum-Brass OT58	15	2900	1/2" F	4"	194°F
BISW120									
f	BISW120OB	<input type="radio"/> ●	2-4	Aluminum - 316L S.S.	31	2900	1" F	7"	194°F
BISW053 3 or 4 Nozzle option.									
g	BISW053-3	<input type="radio"/> ● ○	3	Aluminum-Brass OT58 - 316L S.S.	2.5-15	2175	1/2" F	3.5"	194°F
h	BISW053-4	<input type="radio"/> ● ○	4	Aluminum-Brass OT58 - 316L S.S.	2.5-15	2175	1/2" F	3.5"	194°F



● car wash



○ trash bin/can cleaning



● food industry



○ wine barrel



● ibc/drum totes



○ pharmaceutical/cip

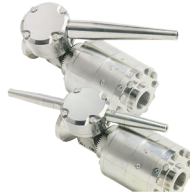
***Please call for kits and pricing.**



BOLONDI CLEANING HEADS



a-c





d-e



f-g



h-i

MOD	# OF NOZZLES	MATERIAL	 MAX gpm	 MAX psi	WATER INLET in	MIN. PASS THRU HOLE in	MAX TEMP ° F	
BIRW086								
a BIRW086	● ○ ○	2-4	316L S.S.	2-16	3,000	1/2" F	5.29"	194°F
b BIRW086A	● ○ ○	2-4	316L S.S.	2-16	3,000	1/2" F	5.29"	194°F
c BIRW086A-TK	● ○ ○	2-4	316L S.S.	2-16	3,000	1/2" F	5.29"	194°F
BIRW220								
d BIRW220A	● ○ ○	2	316L S.S.	15-52	72-435	1" F	11.02"	194°F
BIRW240								
e BIRW240	●	2	316L S.S.	15-52	72-435	1" F	13.78"	194°F
BIPW060								
f BIPW060LC	●	2-4	Aluminum/316L S.S.	4-16	75-2,900	1/2" F	4.5"	194°F
BIPW063								
g BIPW063LC	●	2-3-4	Aluminum/316L S.S.	16-53	75-2,900	1" F	4.5"	194°F
BIPW200								
h BIP200A-SL	●	2-4	316L S.S.	16-53	2,200	1" F	4.5"	194°F
i BIP200A-SP	●	2-4	316L S.S.	16-53	2,200	1" F	4.5"	194°F



● car wash



○ trash bin/can cleaning



● food industry



○ wine barrel



● ibc/drum totes



○ pharmaceutical/cip

***Please call for kits and pricing.**



ACCESSORIES

BOLONDI CLEANING HEADS



a-c






d-f



g



l-o

MOD	# OF NOZZLES	MATERIAL	 MAX gpm	 MAX psi	 rpm	WATER INLET in	MIN. PASS THRU HOLE in	MAX TEMP ° F	
BIXB031									
a BIXB031E	● ○ ● ○	2-4	316L S.S. + Bronze	16	2,200	19-51	1" F	1.50"	194°F
b BIXB031P	● ○ ● ○	2-4	316L S.S. + Bronze	16	2,200	19-51	1" F	1.50"	194°F
c BIXB031A	● ○ ● ○	2-4	316L S.S. + Bronze	16	2,200	15-25	1" F	1.50"	212°F
BIXB061									
d BIXB061E	● ○ ● ●	2-4	316L S.S. + Bronze	15.8	2,900	24	1" F	3"	194°F
e BIXB061P	● ○ ● ●	2-4	316L S.S.	16	3,000	19-51	1" F	3"	212°F
f BIXB061AAH	● ○ ● ●	2-4	316L S.S.	15.8	2,900	24	1" F	3"	212°F
BIXC020									
g XC020	○	2	316L S.S.	4-6	1,740	-	1/2" F	1.65"	60°F
BIXC060 Washing head for medium to large containers with minimum 57mm diameter pass-through hole. E=Electric Motor - P=Air Motor - A=Aqua Motor.									
h BIXC060E200	● ○ ● ●	2-4	316L S.S.	16	5,800	19-51	1" F	3"	212°F
i BIXC060E400	● ○ ● ●	2-4	316L S.S.	16	5,800	19-51	1" F	3"	212°F
j BIXC060P200	● ○ ● ●	2-4	316L S.S.	16	5,800	19-51	1" F	3"	212°F
k BIXC060P400	● ○ ● ●	2-4	316L S.S.	16	5,800	19-51	1" F	3"	212°F
BIXC061									
l BIXC061-AAH	● ○ ● ●	2-4	316L S.S.	16	3,000	15-25	1" F	3.00"	194°F
m BIXC061E	● ○ ● ●	2-4	316L S.S.	16	3,000	14-17	1" F	3.00"	194°F
n BIXC061EEB-TK-SF	● ○ ● ●	2-4	316L S.S.	16	3,000	14-17	1" F	3.00"	194°F
o BIXC061EEB-SF	● ○ ● ●	2-4	316L S.S.	16	3,000	14-17	1" F	3.00"	194°F
BIXC200E									
p XC200E	○	2-4	S.S. 316	52	2,900	14-20	1/2" F	7"	194°F



● car wash



○ trash bin/can cleaning



● food industry



○ wine barrel



● ibc/drum totes



○ pharmaceutical/cip

***Please call for kits and pricing.**

ACCESSORIES



HIGH PRESSURE CLEANING



a



c



d-e

	MOD	# OF NOZZLES	MATERIAL	 MAX gpm	 MAX psi	WATER INLET in	MIN. PASS THRU HOLE in	MAX TEMP ° F	
BIMW440A									
a	BIMW440A	○ ● ● ○ ○ ●	2-4	316L S.S.	15-105	5,800	1/2" F	5.5"	194°
BIMW510A									
b	BIMW510A	○ ● ● ○ ○ ●	2-4	316L S.S.	15-105	5,800	1/2" F	5.5"	194°
BIMW586A									
c	BIMW586A	○ ● ● ○ ○ ●	2-4	316L S.S.	15-105	5,800	1/2" F	5.5"	194°
BIFV020 / F025									
Self spinning head for washing medium to large containers (tank trucks, urban refuse containers, silos). Aqua Motor, Aluminum and stainless steel construction 360° coverage 2 or 4 nozzles. 2' - 12' 360° Travel.									
d	BIFV020-200	○ ● ● ○ ○ ●	2-4	Aluminum/316L S.S.	53	2,900	1/2" F	6.69" F	194°
e	BIFV020-400	○ ● ● ○ ○ ●	2-4	Aluminum/316L S.S.	16	5,800	1/2" F	6.69" F	194°



● car wash



○ trash bin/can cleaning



● food industry



○ wine barrel



● ibc/drum totes



○ pharmaceutical/cip

***Please call for kits and pricing.**



ACCESSORIES

SANDBLASTER KITS



a





b



c




d

MOD	AVAILABLE SIZES (SPECIFY WHEN ORDERING)		 MAX psi	 MAX gpm	LIST PRICE \$
	nozzle size	orifice			
Sandblasting Nozzle Carbide Tip & Sand Tube					
Easy and quick to use. Used with either hot or cold water pressure washers with pressures from 3,000 to 4,000 PSI and temperatures up to 180° F.					
a AL420	3.0	1.2 mm	3,650	16	\$207.22
	3.5	1.3 mm			
	4.0	1.4 mm			
	4.5 / 5.0	1.5 mm			
	6.0	1.6 mm			
Sandblasting Nozzle Carbide Tip, Sand Tube & Hose					
10' Sand Hose. 24" Extension Lance with 22mm x 1.4 M Inlet					
b AL420-KIT	4.5 / 5.0	1.5 mm	3,650	16	\$206.16
Industrial Sandblasting Kit: Sand Tube & Fan Spray					
1/4" F Outlet for 5°-10° MEG Nozzle (4 MEG Nozzles). 94° Max Temperature.					
c AL-TPS450	-	-	7,250	21	\$728.40
Industrial Sandblasting Kit: Nozzle Carbide Tip, Fan Spray & Hose					
1/4" F Outlet for 5°-10° MEG Nozzle (4 MEG Nozzles). 5° Angle - sizes 0.03, 0.04, 0.05, and 0.06 25' Sand Hose adjustable sand intake.					
d AL-TPS450KIT	-	-	7,250	21	\$1,166.36



SEWER CLEANING - NOZZLES




MOD	 psi	INLET in	NOZZLE SIZE in	MAX TEMP ° F	LIST PRICE \$
MLRSN					
a MLRSN1804	3,625	1/8" F	4	300° F	\$70.71
b MLRSN18045	3,625	1/8" F	4.5	300° F	\$70.71
c MLRSN1805	3,625	1/8" F	5	300° F	\$70.71
d MLRSN1806	3,625	1/8" F	6	300° F	\$117.55
e MLRSN1404	3,625	1/4" F	4	300° F	\$70.71
f MLRSN1405	3,625	1/4" F	5	300° F	\$70.71
g MLRSN38045	3,625	3/8" F	4.5	300° F	\$88.45
h MLRSN3805	3,625	3/8" F	5	300° F	\$88.45
i MLRSN3808	3,625	3/8" F	8	300° F	\$88.45
MLSSN					
j MLSSSN1804	3,625	1/8" F	4	300° F	\$21.25
k MLSSSN18045	3,625	1/8" F	4.5	300° F	\$21.25
l MLSSSN18055	3,625	1/8" F	5.5	300° F	\$21.25
m MLSSSN18065	3,625	1/8" F	6.5	300° F	\$21.25
n MLSSSN1404	3,625	1/4" F	4	300° F	\$27.50
o MLSSSN14045	3,625	1/4" F	4.5	300° F	\$27.50
p MLSSSN14055	3,625	1/4" F	5.5	300° F	\$27.50
q MLSSSN14065	3,625	1/4" F	6.5	300° F	\$27.50
r MLSSSN38045	3,625	3/8" F	4.5	300° F	\$50.40
s MLSSSN38055	3,625	3/8" F	5.5	300° F	\$50.40
t MLSSSN38065	3,625	3/8" F	6.5	300° F	\$50.40
AL-Series 4 Holes					
u AL0124722250	5,000	1/4" F	4.5	300° F	\$33.53
v AL0124722260	5,000	1/4" F	5.5	300° F	\$33.53
w AL0124722270	5,000	1/4" F	6.5	300° F	\$33.53
x AL0124722280	5,000	3/8" F	4	300° F	\$72.59
y AL0124722300	5,000	3/8" F	5.5	300° F	\$72.59
z AL0124722310	5,000	3/8" F	6.5	300° F	\$72.59
a2 AL0124722330	5,000	3/8" F	8.5	300° F	\$119.45
b2 AL0124722360	5,000	3/8" F	12	300° F	\$119.45



ACCESSORIES

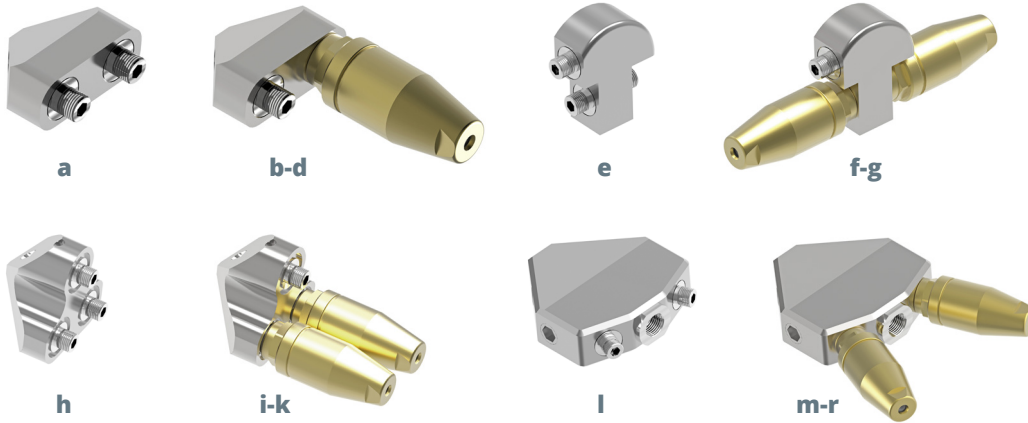
SEWER CLEANING - NOZZLES




MOD	 psi	INLET in	FRONT NOZZLES	REAR NOZZLES	NOZZLE SIZE in	MAX TEMP ° F	LIST PRICE \$	
SN 6 Holes. Jet angles 35°. Hardened Steel Nickel-Plated.								
a	ML4052600003	3,600	1/2" F	1 - M 6 x 8	6 - M 6x8	20	300° F	\$213.90
b	ML4052600004	3,600	3/4" F	1 - M 6 x 8	6 - M 6x8	20	300° F	\$200.66
c	ML4052600005	3,600	1" F	1 - M 6 x 8	6 - M 6x8	30	300° F	\$239.38
SNT 6 Holes. Jet angles 35°. Hardened Steel Nickel-Plated.								
d	ML4052600009	3,600	1/2" F	4 - M6x8	3 - M6x8	20	300° F	\$346.37
e	ML4052600010	3,600	3/4" F	4 - M6x8	6 - M6x8	30	300° F	\$370.51
f	ML4052600011	3,600	1" F	4 - M8x10	6 - M8x10	30	300° F	\$547.21
SNO 6 Holes. Jet angles 35°. Hardened Steel Nickel-Plated.								
g	ML4052600015	3,600	1/2" F	1 - M 6 x 8	6 - M 6x8	20	300° F	\$302.22
h	ML4052600016	3,600	3/4" F	1 - M 6 x 8	6 - M 6x8	30	300° F	\$284.94
i	ML4052600017	3,600	1" F	1 - M 6 x 8	6 - M 6x8	30	300° F	\$330.62
SNCH - Rotating Nozzle 3-6 Holes. Jet angles 35°. Central opposing angle 90°. Hardened SS AISI A420.								
j	ML4052800000	3,600	1/2" F	4 - M 6x6	3 - M6x6	20	300° F	\$671.86
k	ML4052800001	3,600	1/2" F	4 - M 6x6	3 - M6x6	30	300° F	\$671.86
l	ML4052800002	3,600	3/4" F	4 - M 6x6	3 - M6x6	30	300° F	\$884.44
m	ML4052800003	3,600	3/4" F	4 - M 6x6	6 - M6x6	40	300° F	\$775.14
n	ML4052800004	3,600	1" F	4 - M 6x6	6 - M6x6	50	300° F	\$809.36
o	ML4052800005	3,600	1" F	4 - M 6x6	6 - M6x6	70	300° F	\$809.36
SNDH - Rotating Nozzle 3-6 Holes. Jet angles 35°. Central opposing angle 90°. Hardened SS AISI A420.								
p	ML4052800009	3,600	1/2" F	4 - M 6x6	3 - M6x6	20	300° F	\$772.79
q	ML4052800010	3,600	1/2" F	4 - M 6x6	3 - M6x6	30	300° F	\$770.91
r	ML4052800011	3,600	3/4" F	4 - M 6x6	6 - M6x6	30	300° F	\$1,547.20
s	ML4052800012	3,600	3/4" F	4 - M 6x6	6 - M6x6	40	300° F	\$1,390.68
t	ML4052800013	3,600	1" F	4 - M 6x6	6 - M6x6	50	300° F	\$1,481.92
u	ML4052800014	3,600	1" F	4 - M 6x6	6 - M6x6	70	300° F	\$1,622.07



SEWER CLEANING - NOZZLES



MOD	 MAX psi	INLET in	NOZZLE SIZE	# OF FRONT NOZZLES	# OF ROTATING NOZZLES	WORKING DIAMETER in	WEIGHT lbs	MAX TEMP ° F	LIST PRICE \$	
SNA High quality nickel-plated steel. Supplied with stainless steel nipples and ceramic tip rotating nozzles.										
a	SNA1	4350	1/4" M	-	-	-	3.14-5.9"	0.7	320° F	\$350.52
b	SNA1-TPR025	4350	1/4" M	025	1 - M 6X8	-	3.14-5.9"	1.26	320° F	\$408.93
c	SNA1-TPR058	4350	1/4" M	058	1 - M 6X8	-	3.14-5.9"	1.26	320° F	\$408.93
d	SNA1-TPR10	4350	1/4" M	10	1 - M 6X8	-	3.14-5.9"	1.26	320° F	\$408.93
e	SNA2	4350	1/4" M	-	-	-	3.14-5.9"	0.93	320° F	\$446.30
f	SNA2-TPR07	4350	1/4" M	07	-	2	3.14-5.9"	1.26	320° F	\$565.47
g	SNA2-TPR12	4350	1/4" M	12	-	2	3.14-5.9"	1.26	320° F	\$567.79
h	SNA3	4350	1/4" M	-	-	-	3.14-9.8"	1.33	320° F	\$527.34
i	SNA3-TPR055	4350	1/4" M	055	1 - M 6X8	-	3.14-9.8"	2.5	320° F	\$647.27
j	SNA3-TPR10	4350	1/4" M	10	1 - M 6X8	-	3.14-9.8"	2.5	320° F	\$647.27
k	SNA3-TPR15	4350	1/4" M	15	1 - M 6X8	-	3.14-9.8"	2.5	320° F	\$647.27
l	SNA4	4350	1/2" F (Nozzles 3/8" F)	-	-	-	6.3-11.8"	0.93	320° F	\$584.19
m	SNA4-38TPR065	4350	3/8" F	065	-	2	6.3-11.8"	4.06	320° F	\$703.36
n	SNA4-38TPR12	4350	3/8" F	12	-	2	6.3-11.8"	4.06	320° F	\$724.39
o	SNA4-38TPR20	4350	3/8" F	20	-	2	6.3-11.8"	4.06	320° F	\$722.02
p	SNA4-12TPR065	4350	1/2" F	065	-	2	6.3-11.8"	4.06	320° F	\$703.36
q	SNA4-12TPR12	4350	1/2" F	12	-	2	6.3-11.8"	4.06	320° F	\$703.36
r	SNA4-12TPR20	4350	1/2" F	20	-	2	6.3-11.8"	4.06	320° F	\$722.02



ACCESSORIES

SEWER CLEANING - NOZZLES & JETTER VALVES



a-g

MOD	INLET	# OF REAR NOZZLES	# OF SIDE NOZZLES	NOZZLE SIZE	DIMENSION	WORKING DIAMETER	 MAX	 MAX	LIST PRICE
					Øx l mm	mm	gpm	psi	\$

SNKH - Rotating Reaction Nozzles

Hardened polished stainless steel AISI A420.

a	SNKH-15-9	1/2" F	3 - M 6x6	6 - M 6x6	15	38 x 92	50-150*	320	4,350	\$974.40
b	SNKH-20-9	1/2" F	3 - M 6x6	6 - M 6x6	20	38 x 92	50-150*	320	4,350	\$974.40
c	SNKH-30-9	1/2" F	3 - M 6x6	6 - M 6x6	30	38 x 92	50-150*	320	4,350	\$1,420.70
d	SNKH-30-10	3/4" F	6 - M 6x6	4 - M 6x6	30	52 x 127	100-200*	320	4,350	\$974.40
e	SNKH-40-10	3/4" F	6 - M 6x6	4 - M 6x6	40	52 x 127	100-200*	320	4,350	\$1,420.70
f	SNKH-50-10	1" F	6 - M 6x6	4 - M 6x6	50	52 x 130	100-200*	320	4,350	\$1,444.09
g	SNKH-70-10	1" F	6 - M 6x6	4 - M 6x6	70	52 x 130	100-200*	320	4,350	\$1,444.09

*Centering guide accessory is required for working diameter over Ø100mm (3.93 in)



MOD	 MAX	DESCRIPTION	LIST PRICE
	psi		

Jetter Valves

Jetter valves are used to convert standard triplex plunger pumps into a sewer cleaning pump. The disabler pulse valve adjustable levers enabling the pump to be changed to either configuration, by turning the handle on the valve. When fully engaged the valve stops the center valve from operating. This causes the pump to pulsate generating the jetting action needed for pipe cleaning.


a	AR47086	2500	JR Pump Disabler	\$199.68
b	AR40236	4000	XW: Pump Disabler	\$98.08
c	AR40235	4000	XT, XM: Pump Disabler	\$86.06
d	AR40161	4000	RK, RR: Pump Disabler	\$90.89
e	AR41003	4000	RC: Pump Disabler	\$238.22
f	AR43948	4000	RTJ70N Pump Disabler	\$152.39
g	AR43949	4000	RTX, RTP Pump Disabler	\$129.56



SEWER CLEANING



a-e



MOD	 MAX psi	HOSE LENGTH	HOSE SIZE	INLET in	OUTLET in	LIST PRICE \$
Sewer Hoses						
a AR686200001	4,400	50'	1/4"	1/4" M	1/4" M	\$142.59
b AR686200002	4,400	100'	1/4"	1/4" M	1/4" M	\$260.19
c AR686200024	4,400	100'	3/8"	3/8" M	3/8" M	\$526.68
d AR686200025	4,400	200'	3/8"	3/8" M	3/8" M	\$1,075.41
e AR686200035	4,400	300'	3/8"	3/8" M	3/8" M	\$1,377.63



a



b

MOD	 MAX psi	 MAX gpm	INLET in	OUTLET in	MAX TEMP ° F	LIST PRICE \$
Sewer Foot Valves						
a AL0124722810	8	3,000	3/8" F	1/4" F	320° F	\$299.70
b AL0124722830	12	5,000	3/8" F	1/4" F	320° F	\$746.45



ACCESSORIES

ECOLOGICAL STEAM WEED CONTROL & BROOMS





a



b



c


MOD	 MAX psi	 MAX gpm	INLET in	OUTLET mm	MAX TEMP ° F	LIST PRICE \$
Steamer						
a ML-STEAMER	435	10.6	1/4" F	-	320° F	\$1,252.36
Gun						
b ML330-L35S	4,500	10.6	M22 x 1.5 M	M22 x 1.5 F	320° F	\$94.97
Lance						
c ML35S	5,075	12	M22 x 1.5 M	1/4" M	320° F	\$86.29



a



b-c

MOD	 MAX psi	QC PLUG in	NUMBER OF NOZZLES	NOZZLE ORIFICE SIZE mm	NOZZLE SPRAY ANGLE °	SIZE in	LIST PRICE \$
Water Brooms							
The Water Brooms are designed to hook up to the pressure washer spray gun lance with a standard quick disconnect. Small size, maneuverable, easily stored, will not rust. Use to clean and wash down your driveway, sidewalk, garage floor, deck or patio.							
a AR-BROOM12	4,000	1/4"	3	1.3	-	12"	\$115.83
b AR-BROOM16	4,000	1/4"	4	1.3	65°	16"	\$135.45
c 5811	4,000	1/4"	4	1.3	65°	16"	\$130.88



SURFACE CLEANERS



MOD	DESCRIPTION	MAX psi	MAX gpm	NOZZLES	WHEELS	MAX TEMP ° F	LIST PRICE \$
-----	-------------	------------	------------	---------	--------	-----------------	------------------

Rotary Cleaners

Easy and quick to use. Used with either hot or cold water pressure washers with pressures from 3,000 to 4,000 PSI and temperatures up to 180° F. Walk behind, Durable, Removes tree sap, dirt and other non permanent materials that you want to remove from hard surfaces. The rotary cleaner blasts away dirt, grease and grime in all sorts of tough cleaning areas... pools, decks, sidewalks, warehouse floors, restaurants, retail shipping centers, garages, etc.

a	AR-ROTARY14	14" - Yellow - 1/4" M Plug	4,000	8	2.5 - 15°	No	180° F	\$234.77
b	AR-ROTARY16	16" - Yellow Polypropylene	4,000	8	2.5 - 15°	No	180° F	\$1,241.58
c	AR-ROTARY20	20" - Yellow Polypropylene	4,000	8	2.0 - 25°	No	180° F	\$1,497.42
d	MLSC15	15" - Red - 1/4" M Plug	3,000	3	3.5 - 15°	No	140° F	\$134.37

Stainless Steel Rotary Cleaners

e	AR-ROTARY20SS	20" - Stainless Steel	4,000	8	2.0 - 25°	Yes	180° F	\$1,768.31
f	AR-ROTARY24SS	24" - Stainless Steel	4,000	8	2.0 - 25°	Yes	180° F	\$2,031.69



ACCESSORIES

GARDEN HOSE ADAPTERS



a



b



c



d



e



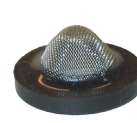
f



g



h



i



j-k

MOD	DESCRIPTION	LIST PRICE
		\$

Garden Hose Adapters

The Garden Hose Adapters offer a variety of ways to connect a pressure pump to a garden hose. Choose the fittings that will work best for your hookup.

a	AR7365	Nipple - 3/8" M	\$7.48
b	AR7366	Nut - 3/4" F x M	\$4.49
c	AR7368	Nipple - 1/2" M	\$8.56
d	AR7300	Nut - 3/4" F x M / Nipple 1/2" M / Stainless Steel Tension Spring	\$11.07
e	AR2605B	GHA (Garden Hose) Brass Swivel Cone Filter - 3/4" F Inlet - 3/4" F Outlet	\$18.88
f	AR1264750	GHA (Garden Hose) Brass Swivel Cone Filter - 3/4" F Inlet - 1/2" F Outlet	\$11.95
g	5329	GHA (Garden Hose) 3/4" F Socket	\$9.15
h	5330	GHA (Garden Hose) 3/4" M Plug	\$6.34
i	AR7369	Washer with Cone Filter	\$1.17
j	5331	3/4" F Garden Hose Inlet with Tension Spring, Connector - 1/2" M Outlet	\$9.30
k	5332	3/4" F Garden Hose Inlet with Tension Spring, Connector - 3/8" M Outlet	\$9.30



a-f



g

MOD	O-RING SIZE	MATERIAL	KIT QUANTITY	LIST PRICE
				\$

Replacement O-Rings

a	AL-QCO1/4	1/4"	Buna	-	\$0.41
b	AL-QCO3/8	3/8"	Buna	-	\$0.52
c	AL-QCOKIT1/4	1/4"	Buna	25	\$7.81
d	AL-QCOKIT3/8	3/8"	Buna	25	\$9.20
e	AL-QCO1/4V	1/4"	Viton	-	\$0.93
f	AL-QCO3/8V	3/8"	Viton	-	\$1.04
g	FT250000	O-Ring 22mm Hose Coupling 14mm			\$0.29



BALL QUICK COUPLINGS & PLUGS



a, e, g, k



c, h, l




f



j

The Quick Couplers are designed for safe and easy connections of frequently changed or moved fittings.

- 420 Stainless Steel secured ball bearings
- 75 Shore Viton O-Rings.


MOD	 psi	DESCRIPTION	MAX TEMP ° F	LIST PRICE \$
Ball Quick Coupling				
a	4,000	1/4" F Ball Quick Coupling - Brass	300° F	\$9.15
b	4,000	1/4" F Ball Quick Coupling - S.S.	300° F	\$20.93
c	4,000	1/4" M Ball Quick Coupling - Brass	300° F	\$10.18
d	4,000	1/4" M Ball Quick Coupling - S.S.	300° F	\$26.65
e	4,000	1/4" F Ball Quick Coupling - Brass	300° F	\$7.39
f	4,000	3/8" F Ball Quick Coupling x M22 - Brass	300° F	\$13.87
g	4,000	3/8" F Ball Quick Coupling - Brass	300° F	\$12.10
h	4,000	3/8" M Ball Quick Coupling - Brass	300° F	\$13.13
i	4,000	3/8" M Ball Quick Coupling - S.S.	300° F	\$22.42
j	4,000	3/8" F Ball Quick Coupling - S.S.	300° F	\$36.67
k	4,000	3/8" F Ball Quick Coupling - Brass	300° F	\$10.77
l	4,000	3/8" M Ball Quick Coupling - Brass	300° F	\$11.67



d, f, i, l



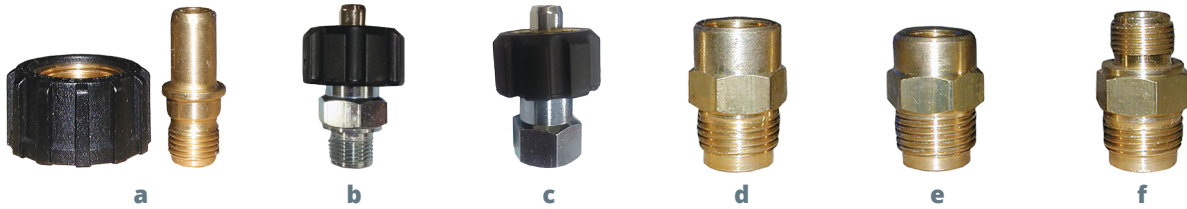
a, g, k

MOD	 psi	DESCRIPTION	MAX TEMP ° F	LIST PRICE \$
Quick Coupling Plug				
a	4,000	1/4" F Ball Quick Coupling Plug - Brass	300° F	\$2.96
b	4,000	1/4" F Ball Quick Coupling Plug - Brass	300° F	\$5.58
c	4,000	1/4" F Ball Quick Coupling Plug - S.S.	300° F	\$9.69
d	4,000	1/4" M Ball Quick Coupling Plug - Brass	300° F	\$2.96
e	4,000	1/4" M Ball Quick Coupling Plug - S.S.	300° F	\$8.55
f	4,000	1/4" M Ball Quick Coupling Plug - Steel	300° F	\$1.93
g	4,000	3/8" F Ball Quick Coupling Plug - Brass	300° F	\$3.69
h	4,000	3/8" F Ball Quick Coupling Plug - S.S.	300° F	\$10.84
i	4,000	3/8" M Ball Quick Coupling Plug - Steel	300° F	\$3.69
j	4,000	3/8" M Ball Quick Coupling Plug - S.S.	300° F	\$20.11
k	4,000	3/8" F Ball Quick Coupling Plug - Steel	300° F	\$2.51
l	4,000	3/8" M Ball Quick Coupling Plug - Steel	300° F	\$2.21



ACCESSORIES

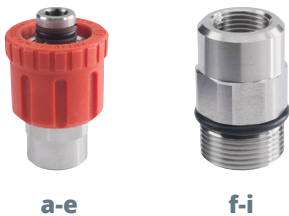
QUICK COUPLINGS & PLUGS





MOD	 MAX psi	 MAX gpm	INLET in	OUTLET in	MAX TEMP ° F	LIST PRICE \$
-----	---	---	-------------	--------------	-----------------	------------------

Quick Coupling Plug

a	AL460	3,650	7.8	1/4" M	1/2" F	300° F	\$15.82
b	AL461	3,650	7.8	3/8" M	1/2" F	300° F	\$19.84
c	AL462	3,650	7.8	3/8" F	1/2" F	300° F	\$19.84
d	AL463	3,650	7.8	1/4" F	1/2" M	300° F	\$10.74
e	AL464	3,650	7.8	3/8" F	1/2" M	300° F	\$10.74
f	AL465	3,650	7.8	3/8" M	1/2" M	300° F	\$10.74



MOD	 MAX psi	 MAX gpm	INLET in	OUTLET in	MAX TEMP ° F	LIST PRICE \$
-----	---	---	-------------	--------------	-----------------	------------------

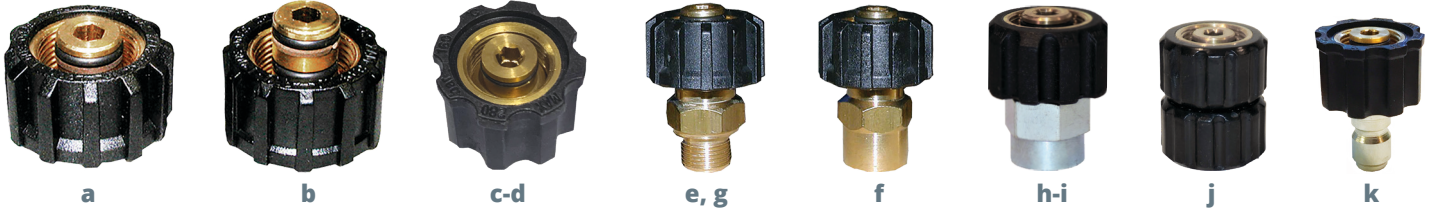
High Pressure Quick Couplings

a	ARF070-1/4F	10,150	21	1/4" F	M24 x 1.5	320° F	\$33.17
b	ARF070-1/2F	10,150	21	1/2" F	M24 x 1.5	320° F	\$33.17
c	ARF070-1/2M	10,150	21	1/2" M	M24 x 1.5	320° F	\$33.17
d	ARF070-3/8F	10,150	21	3/8" F	M24 x 1.5	320° F	\$33.17
e	ARF070-3/8M	10,150	21	3/8" M	M24 x 1.5	320° F	\$33.17
f	ARF70-1/4M	10,150	21	1/4" M	M24 x 1.5	320° F	\$89.82
g	ARF70-1/2M	10,150	21	1/2" M	M24 x 1.5	320° F	\$89.82
h	ARF70-3/8F	10,150	21	3/8" F	M24 x 1.5	320° F	\$89.82
i	ARF70-3/8M	10,150	21	3/8" M	M24 x 1.5	320° F	\$89.82

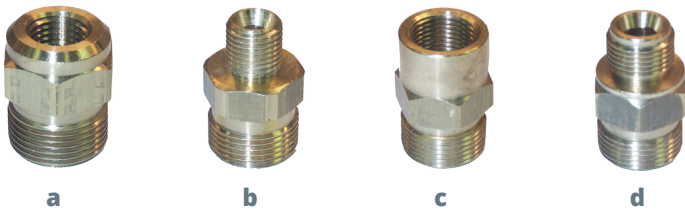
ACCESSORIES



QUICK COUPLINGS & PLUGS



MOD	MAX psi	MAX gpm	INLET in	OUTLET in	MAX TEMP ° F	LIST PRICE \$
AL450 - 5347						
a AL450/2 (w/2 O-Rings)	3,650	7.8	1/4" F	22mmx1.5 F	300° F	\$14.65
b 5347	3,650	7.8	1/4" F	22mmx1.5 F	300° F	\$7.66
AL451 - 5348						
c AL451-B	3,650	7.8	1/4" F	22mmx1.5 F	300° F	\$18.30
d 5348	3,650	7.8	1/4" F	22mmx1.5 F	300° F	\$10.77
AL452 - 5346						
e AL452-B	3,650	7.8	3/8" M	22mmx1.5 F	300° F	\$27.01
f AL453-B	3,650	7.8	3/8" F	22mmx1.5 F	300° F	\$27.01
g 5343	3,650	7.8	1/4" M	22mmx1.5 F	300° F	\$11.80
h 5344	3,650	7.8	1/4" F	22mmx1.5 F	300° F	\$10.93
i 5346	3,650	7.8	3/8" F	22mmx1.5 F	300° F	\$11.67
AL556-B / AL557-B						
j AL556-B	3,650	7.8	22mm	22mm	300° F	\$18.50
k AL557-B	4,000	7.8	22mm	3/8" QC	140° F	\$10.80



MOD	MAX psi	MAX gpm	INLET in	OUTLET in	MAX TEMP ° F	LIST PRICE \$
Quick Coupling Plug Fixed						
a AL454-B	3,650	7.8	1/4" F	22mmx1.5 F	300° F	\$11.37
b AL455-B (Flared)	3,650	7.8	1/4" M	22mmx1.5 F	300° F	\$15.06
c AL456-B	3,650	7.8	3/8" F	22mmx1.5 F	300° F	\$15.06
d AL457-B	3,650	7.8	3/8" M	22mmx1.5 F	300° F	\$11.37



ACCESSORIES

PIVOT & PULSATION DAMPENERS



a

MOD	 psi	QUICK CONNECT in	QUICK CONNECT PLUG in	MAX TEMP ° F	LIST PRICE \$
-----	--	---------------------	-----------------------------	-----------------	---------------------

AL-QC1/4 Pivot

1/4" F Quick Coupler with 3 Position. EPDM - Elastomer. (Nozzle not included).

a AL-QC1/4PIVOT	4,500	1/4" F	1/4" M	200° F	\$53.42
-----------------	-------	--------	--------	--------	---------



a-b

MOD	 psi	GAS FILLING PRESSURE psi	GAS CONNECTION VALVE	LITER	INLET in	MIN/MAX TEMP ° F	LIST PRICE \$
-----	--	--------------------------------	-------------------------	-------	-------------	------------------------	---------------------

Pulsation Dampener

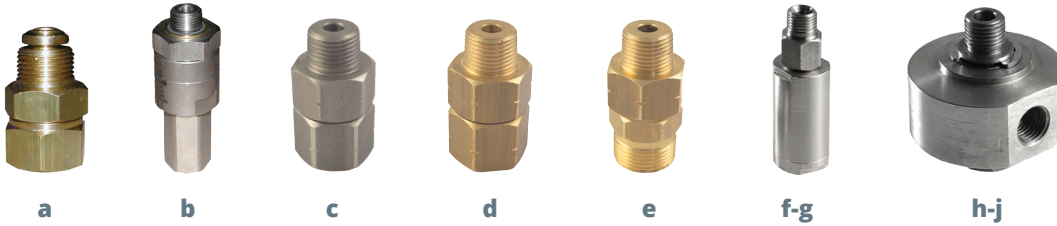
Designed to make pumps run smoother. Pulsation dampener welded with electron beam. Forged carbon steel body with anti-rust primer. NBR Diaphragm. Wide operating temperature range. Adjustable gas filling pressure. Rapid reaction time. Compact with easy installation. Any position mounting. No maintenance.



a MLPD38	3,046	580	M28x1.5	0.16	3/8" F	5° F/194° F	\$210.69
b MLPD12	3,046	580	M28x1.5	0.35	1/2" F	5° F/194° F	\$222.73



SWIVEL COUPLERS

The twist style, fixed style and swiveling style quick couplers are designed for safe and easy connections of frequently changed or moved fittings.



MOD	 MAX psi	 MAX gpm	INLET in	OUTLET in	MAX TEMP ° F	LIST PRICE \$
AL443						
a AL443	3,000	7.8	3/8" M	3/8" F	300° F	\$20.89
High Pressure Swivel SW600						
b AR40406	9,570	15.8	3/8" F	3/8" M	210° F	\$785.89
SW - Swivel						
c SW701 (Stainless Steel)	4,500	8	3/8" M	3/8" F	302° F	\$46.03
d SW703 (Brass)	4,500	8	3/8" M	3/8" F	302° F	\$30.92
e SW704 (Brass)	4,500	8	3/8" M	22mmx1.5 M	302° F	\$30.92
Stainless Steel Swivel Coupling 360° Swivel						
f CW212200 (In-Line)	4,060	12	1/4" F	1/4" M	320° F	\$145.88
g CW212210 (In-Line)	4,060	12	3/8" F	3/8" M	320° F	\$152.86
h CW212250 (90°)	4,060	12	1/4" M	1/4" F	320° F	\$145.88
i CW212260 (90°)	4,060	12	3/8" M	3/8" F	320° F	\$145.88
j CW212270 (90°)	4,060	12	1/4" M	3/8" F	320° F	\$145.88



ACCESSORIES

CONNECTORS



a, c b



e



g

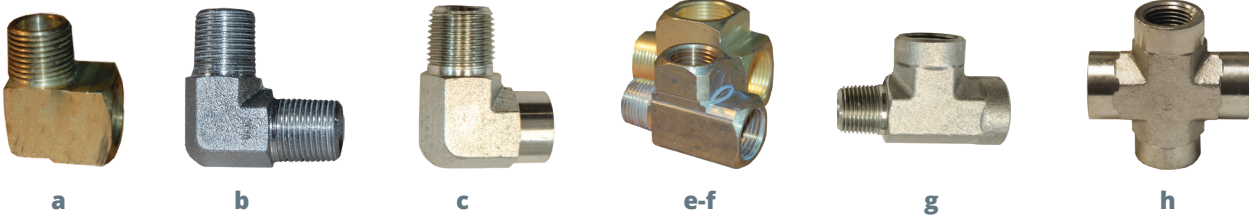



h

MOD	INLET	OUTLET	MATERIAL	LIST PRICE	
	in	in		\$	
Bushings					
a	AR72753128	1/2" F	3/4" M	Brass	\$10.45
b	AR72753286	1/2" F	3/8" M	Brass	\$15.93
c	AR72753604	1/4" F	3/8" M	Brass	\$6.26
d	AR72753986	3/8" F	1/2" M	Brass	\$5.50
e	AR72753988	3/8" F	1/2" M	Steel	\$6.14
f	AR72753140	1/2" M	1/4" F	Steel	\$7.15
Garden Hose Adapter					
g	AR72753216	AR72753216	3/8" F	Brass	\$19.67
Plug Adapter 4,000 Max PSI. 300° F Max Temperature. 8 Max GPM.					
h	AR1263640	22mmx1.5 F	3/8" M	Brass	\$17.36



CONNECTORS



MOD	 psi	INLET in	OUTLET in	MATERIAL	LIST PRICE \$
Elbows					
a AR72753766	4,000	3/8" M	3/8" F	Brass	\$19.25
b AR72753777	4,000	3/8" M	3/8" M	Steel	\$11.22
c AR72753291	4,000	3/8" M NPT	1/4" F NPT	Steel	\$16.80
d AR72753270	4,000	1/2" M NPT	1/2" F NPT	Steel	\$20.73
T's					
e AR72753512	4,000	3/4" F	3/4" F & 3/4" M	Brass	\$70.94
f AR72753888	4,000	1/2" F	1/2" F & 1/2" M	Brass	\$48.75
g AR72753520 (SS)	4,000	3/8" F	3/8" F & 3/8" F	Stainless Steel	\$36.11
Cross					
h AR72753666	5,000	3/8" & 3/8" F	3/8" F & 3/8" F	Forged Steel	\$25.31

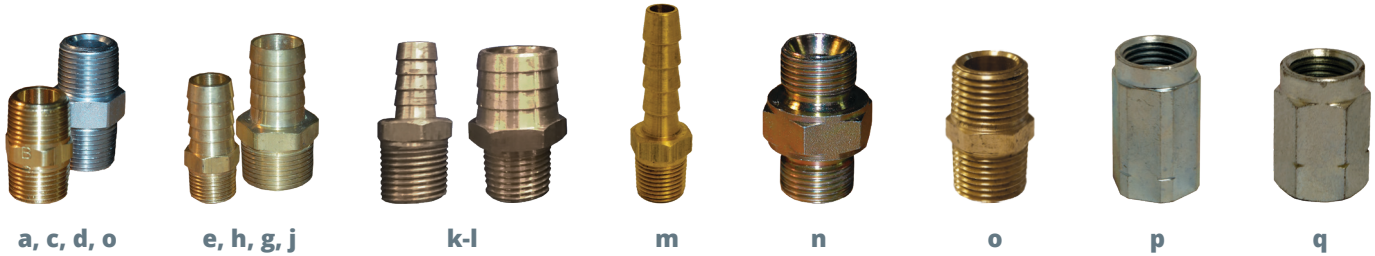



MOD	DESCRIPTION	LIST PRICE
Inlet King Nipples (for gravity feed systems)		
Cadmium plated steel hose barb fitting for high pressure endurance. Hex base allows for standard wrenches to be used during installation. The hex base is large enough to allow accessory ports to be added. Compact design tapered bore for smooth water delivery. Barbs are long enough to allow two clamps to be used if necessary. King nipples assemble directly to the pump no adapters needed. Barbs are designed to prevent hose slippage and fluid leaks.		
a FT783114	1/2" M NPT x 1-1/4" Hose Barb (Steel-Zinc coat)	\$29.40
b FT783112	3/4" M NPT x 1-1/2" Hose Barb (Brass)	\$31.87
c FT783113	1" M BSP x 2" Hose Barb (Brass)	\$53.66



ACCESSORIES

CONNECTORS - NIPPLES

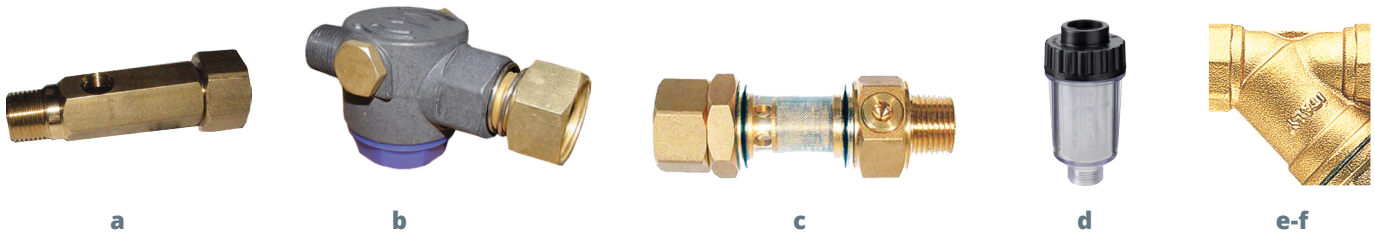




	MOD	 psi	INLET in	OUTLET in	MATERIAL	LIST PRICE \$
Nipples						
a	AR72753333	3,000	3/8" M BSP	3/8" M BSP	Brass	\$16.75
b	AR72753334	6,000	3/8" M NPT	3/8" M NPT	Steel	\$4.83
c	AR72753336	6,000	1/2" M NPT	1/2" M NPT	Steel	\$5.57
d	AR72753570	6,000	1/2" M NPT	3/8" M NPT	Steel	\$12.39
Nipples						
e	AR72753106	-	5/8" Barb	3/8" M	Brass	\$6.72
f	AR72753108	-	5/8" Barb	1/2" M	Brass	\$8.36
g	AR72753208	-	3/4" Barb	1/2" M	Brass	\$10.04
h	AR72753212	-	3/4" Barb	3/4" M	Brass	\$15.66
i	AR72753786	-	1/2" Barb	3/8" M	Brass	\$5.92
j	AR72753784	-	1/2" Barb	1/4" M	Brass	\$11.80
k	AR72753790	-	1/2" Barb	1/2" M	Brass	\$16.16
l	AR72753110	-	1" Barb	1/2" M NPT	Brass	\$23.37
m	AR1020402	-	1/4" Barb	1/8" M	Brass	\$5.63
Nipples						
n	AR72753966	4,000	3/8" F BSP	3/8" F BSP	Brass	\$17.58
Hex Nipples						
o	AR72753808	-	1/2" M	1/2" M	Brass	\$8.84
Wand Nipples						
p	AL1414	4,500	1/4" F	1/4" F	Steel	\$8.57
q	AL1814	4,500	1/8" F	1/4" F	Steel	\$8.46



INLET STRAINERS/FILTERS

The Inlet Strainers were designed to remove debris and sediment from the water supply entering the pump. It will prolong the life of a high pressure pump to use a line strainer for any water supply.



MOD	 MAX psi	 MAX gpm	INLET in	OUTLET in	MATERIAL	MAX TEMP ° F	LIST PRICE \$
AR3000-2 0.80 Mesh Cone Filter. 1/4" Side Port.							
a AR3000-2	250	7	GH (Garden Hose)	1/2" M	Brass	-	\$32.91
AR3000-A2G 0.60 Mesh Cone Filter. 1/4" (2) Side Port. Stainless Steel GHT Tension Spring / Garden Hose Adapter.							
b AR3000-A2G	100	8	1/2" F	1/2" M	Aluminum	-	\$41.31
AR3600 Clear Bowl allows for easy viewing of filter.							
c AR3600	150	8	3/4" F GHT	1/2" M NPT	Clear Bowl	-	\$47.80
MV19 290 Mesh Cone Filter.							
d MV19	116	8	3/4" F	3/4" M	Plastic	-	\$30.46
Y Filters 45 Mesh Cone Filter.							
e MVYF1/2	225	8	1/2" F	1/2" F	Brass	210° F	\$21.84
f MVYF3/4	225	8	3/4" F	3/4" F	Brass	210° F	\$34.59



ACCESSORIES

CONTROLLERS & THERMOSTATS



a



b

MOD	CABLE		FITTING SIZE	ADJUSTABLE STROKE	MAX TEMP	LIST PRICE
	in	psi	in	in	° F	\$

Engine Throttle Controller

a	MLETC	40"	5,200	3/8"	0.28" - 0.55"	320° F	\$83.92
b	MLETC-SS (Stainless Steel)	40"	7,250	3/8"	0.28" - 0.55"	320° F	\$184.13



a-b

MOD		TEMP RANGE	PROBE LENGTH	CAPILLARY LENGTH	TUBE FITTING		LIST PRICE
	psi	° F	in	in	in	amp v	\$

Thermostat

Rated UL & CE - Capillary and Bulb are Copper. Double Walled Capillary.

a	GTLU3040	4,000	Off to 250° F	3.86"	70"	1/2" M NPT	20 250	\$59.25
b	GTLU3044	4,000	Off to 190° F	3.86"	70"	1/2" M NPT	20 250	\$59.23



PRESSURE GAUGES & DAMPENER



a-i




j-k




l

A.R. Pressure Gauges enable the user to see what pressure levels their system is developing. Accurate gauges can warn of internal pump damage, cavitation, pressure spikes, and other problems. Glycerin filled.

MOD	 psi	GRADUATION		CASE DIAMETER in	CASE MATERIAL	CONNECTION SIZE in	LIST PRICE \$	
		major	minor					
Bottom Mount Pressure Gauges								
a	AR0-300	0 - 300	50	5	2-1/2"	304 SS	1/4"	\$34.35
b	AR0-600	0 - 600	100	10	2-1/2"	304 SS	1/4"	\$39.80
c	AR0-1000	0 - 1,000	200	20	2-1/2"	304 SS	1/4"	\$36.91
d	AR0-1500	0 - 1,500	200	20	2-1/2"	304 SS	1/4"	\$39.80
e	AR0-2000	0 - 2,000	500	50	2-1/2"	304 SS	1/4"	\$39.80
f	AR0-3000	0 - 3,000	500	50	2-1/2"	304 SS	1/4"	\$39.80
g	AR0-5000	0 - 5,000	1,000	100	2-1/2"	304 SS	1/4"	\$39.80
h	AR0-6000	0 - 6,000	1,000	100	2-1/2"	304 SS	1/4"	\$39.80
i	AR0-10000	0 - 10,000	1,000	100	2-1/2"	304 SS	1/4"	\$39.80
Rear Mount Pressure Gauges								
j	AR3223B	2,000	500	50	1-1/2"	304 SS	1/8"	\$47.58
k	AR3223C	3,000	500	50	1-1/2"	304 SS	1/8"	\$52.95
Quick Connect & Plug Mount Kit 1/4" Plug inlet. Quick Connect outlet.								
l	AR376000	0-6,000	1,000	100	2-1/2"	304 SS	3/8" QC	\$58.20



a

MOD	 psi	DESCRIPTION	LIST PRICE \$
Pressure Gauge Dampener			
a	AR0-SNUB	3,000 1/4" Gauge Dampener	\$31.42





ACCESSORIES

SLUDGE PUMPS & HOSES



a


b

MOD	 psi	 gpm	AVAILABLE NOZZLE SIZES	HOSE SIZE in	HOSE LENGTH ft	LIST PRICE \$
Sludge Pump - No assembly required 1/4" Standard Coupler Connects.						
a AR-Sludge	4,000	4	3.0	2"	25'	\$225.16
Sludge Pump 22mmx1.5 M Inlet. PVC Hose Ø38 mm.						
b MLSP	3,650	4.8	3.5, 4.5, 5.0, 5.5, 6.0	1.5"	10'	\$338.24



a

b-h

MOD	 psi	HOSE LENGTH ft	INLET in	OUTLET in	INNER DIAMETER in	MAX TEMP ° F	LIST PRICE \$
High Pressure Hose							
a AR5012100	10,000	50'	1/2"	3/8" M	3/8"	250°	\$1,299.09
Braided Rubber Hose (Swivel on Both Ends) Braided Rubber Hoses will handle the higher pressure ranges for commercial/industrial machines. Select the length and pressure needed for the job.							
b AR253830SSP	3,000	25'	3/8" M	3/8" M	3/8"	250°	\$142.12
c P2538-14-22m	3,000	25'	22mm	3/8" M	3/8"	250°	\$145.42
d P3038-14-22m	3,000	30'	22mm	3/8" M	3/8"	250°	\$153.80
e AR303840SSP	4,000	30'	3/8" M	3/8" M	3/8"	250°	\$156.77
f AR403840SSP	4,000	40'	3/8" M	3/8" M	3/8"	250°	\$233.00
g AR503840SSP	4,000	50'	3/8" M	3/8" M	3/8"	250°	\$166.19
h AR753840SSP	4,000	75'	3/8" M	3/8" M	3/8"	250°	\$226.39

ACCESSORIES



HOSES



a-d



e-f

MOD	 MAX psi	HOSE LENGTH ft	INLET mm	OUTLET in	INNER DIAMETER in	MAX TEMP ° F	LIST PRICE \$
-----	--	-------------------	-------------	--------------	----------------------	-----------------	------------------

Oil Resistant Synthetic Rubber Hose

Oil Resistant Synthetic Rubber Hoses will meet the pressure ranges for consumer needs. Select the length and fittings needed for each situation.

a	AR251420-38	3,000	25'	22mmx14	3/8" F	1/4"	140° F	\$62.50
b	AR251420mm-mm-2	3,000	25'	22mmx14/15	22mm	1/4"	140° F	\$43.94
c	AR251420-15mm	3,000	25'	22mmx15	1/4" F	1/4"	140° F	\$56.38
d	AR301424mm-mm	3,000	30'	22mmx14	22x14	1/4"	140° F	\$65.62

Oil Resistant Nylon Hose

Braided Rubber Hoses will handle the higher pressure ranges for commercial/industrial machines. Select the length and pressure needed for the job.

e	AR2551630	3,700	25'	22mmx14	3/8" M	5/16"	140° F	\$77.31
f	AR3051635	3,100	30'	22mmx14	3/8" M	5/16"	212° F	\$171.06



a-b



c-d



e-f



g-h



i

MOD	 MAX psi	COLOR	HOSE LENGTH ft	INLET in	OUTLET in	INNER DIAMETER in	MAX TEMP ° F	LIST PRICE \$
-----	--	-------	-------------------	-------------	--------------	----------------------	-----------------	------------------

Hoses (Rigid x Swivel End with Hose Protectors)

Two Wire Steel Braided Wrapped Black Hose Cover.

a	AR501240-BLK	4,000	Black	50'	1/2" M	1/2" M	1/2"	250° F	\$403.33
b	AR1001240-BLK	4,000	Black	100'	1/2" M	1/2" M	1/2"	250° F	\$716.63

Hoses (Rigid x Swivel End with Hose Protectors)

One Wire Steel Braided Wrapped Hose Cover.

c	AR503830-W-BLK	3,000	Black	50'	3/8" M	3/8" M	3/8"	250° F	\$222.73
d	AR1003830-W-BLK	3,000	Black	100'	3/8" M	3/8" M	3/8"	250° F	\$445.48
e	AR503840-BLU	4,000	Blue	50'	3/8" M	3/8" M	3/8"	250° F	\$242.03
f	AR1003840-BLU	4,000	Blue	100'	3/8" M	3/8" M	3/8"	250° F	\$429.86
g	AR503840-GRY	4,000	Gray	50'	3/8" M	3/8" M	3/8"	250° F	\$234.77
h	AR1003840-GRY	4,000	Gray	100'	3/8" M	3/8" M	3/8"	250° F	\$398.61
i	AR1003854-BLK	5,400	Black	100'	3/8" M	3/8" M	3/8"	250° F	\$525.48



ACCESSORIES

HOSE REELS & CARTS

The heavy gauge steel construction hose reel, bolt on design, maximum pressure 3,000 PSI, handles 100 feet of 3/8" pressure hose. Designed for use on portable, trailer or truck mount and pressure washers. Can also be mounted for drop lines.



MOD	 MAX psi	INLET in	HOLDS HOSE LENGTH ft	MAX TEMP ° F	LIST PRICE \$
-----	---	-------------	-------------------------	-----------------	------------------

AR-REEL100

1/4" Standard Coupler Connects.

a AR-REEL100	3,000	3/8"	100'	160° F	\$326.80
---------------------	-------	------	------	--------	----------

5701 - 5704

b 5701	3,000	3/8"	50'	212° F	\$158.03
c 5702	3,000	3/8"	100'	212° F	\$210.69
d 5703 (Stainless Steel Swivel)	4,000	3/8"	50'	212° F	\$190.39
e 5704 (Stainless Steel Swivel)	4,000	3/8"	100'	212° F	\$253.85

Stainless Steel Hose Reel

This heavy gauge steel construction hose reel, bolt-on design.

f AR151	5,000	3/8"	250'	400° F	\$1,171.06
----------------	-------	------	------	--------	------------

Retractable Hose Reel

3/8" M Outlet.

g 5715	4,060	3/8" M	50' - 3/8"	212° F	\$546.50
---------------	-------	--------	------------	--------	----------



MOD	 MAX hp	DESCRIPTION	PLATFORM in	HANDLE	RUBBER TIRES in	COLOR	LIST PRICE \$
-----	--	-------------	----------------	--------	--------------------	-------	------------------

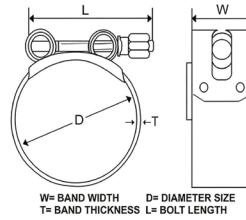
Gas Unit Carts

The A.R. Cart Assemblies simplify building of pressure washers. Check the needed size to fit the pump/motor combination used, then select the cart size that it will best fit on. Use the pre-drilled holes, or modify the cart for custom applications.

a 5950	6.5	31" L x 21" W x 33" H Overall Dimensions	14.75" L x 10.75" W		10"	Black	\$323.41
b 5951	-	Wheel Assembly	-	-	-	-	\$33.91
c 5955	13	36" L x 28" W x 32.5" H Overall Dimensions	21" L x 14" W		13"	Black	\$413.72
d 5956	-	Wheel Assembly	-	-	-	-	\$60.01

ACCESSORIES

T-BOLT SUPER CLAMP



Construction: Bolt: T Head bolt grade 8.8, available in Galvanized Steel and Stainless Steel AISI 304.

Feature: Superex clamps are heavy duty clams having high band tension; designed for sealing suction and pressure lines. Smooth underside and rolled-up band edges are gentle on the hose and reduce risk of leakages. Uniquely designed bridge for clamp provides optional hose protection. Contains three welding points for increased security for large sizes. Hollow rollers provide high uniform torque and eliminate chances of damage to the band.

Application: Heavy duty clamp for heavy gauge reinforced hoses used for agriculture and industrial usage. Main applications include vehicle construction, agricultural machines and vehicles, ship building, recycling, biogas, industrial plant construction, rail vehicles, construction industry, etc.

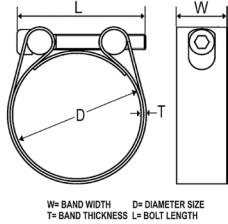
MOD	HOSE O.D. (D) in	BANDWIDTH (W) in	BAND THICKNESS (T) in	LIST PRICE \$
Galvanized Steel (W1)				
17-19 W1	5/8"-3/4"	7/10"	1/50"	\$1.49
20-22 W1	5/8"-3/4"	7/10"	1/50"	\$1.49
23-25 W1	7/8"-1"	7/10"	1/50"	\$1.60
26-28 W1	1"-1 1/8"	7/10"	1/50"	\$1.60
29-31 W1	1 1/8"-1 1/4"	4/5"	6/50"	\$1.80
32-35 W1	1 1/4"-1 3/8"	4/5"	6/50"	\$1.92
36-39 W1	1 3/8"-1 1/2"	4/5"	6/50"	\$2.01
40-43 W1	1 1/2"-1 11/16"	4/5"	6/50"	\$2.77
44-47 W1	1 11/16"-1 7/8"	4/5"	2/50"	\$2.77
48-51 W1	1 7/8"-2"	4/5"	2/50"	\$2.77
52-55 W1	2"-2 3/16"	4/5"	2/50"	\$2.86
56-59 W1	2 3/16"-2 5/16"	4/5"	2/50"	\$2.98
60-63 W1	2 5/16"-2 1/2"	4/5"	2/50"	\$2.98
64-67 W1	2 1/2"-2 5/8"	4/5"	2/50"	\$3.08
68-73 W1	2 5/8"-2 7/8"	47/50"	3/50"	\$4.04
74-79 W1	2 7/8"-3 1/8"	47/50"	3/50"	\$4.14
80-85 W1	3 1/8"-3 5/16"	47/50"	3/50"	\$4.25
86-91 W1	3 3/8"-3 11/16"	47/50"	3/50"	\$4.47
92-97 W1	3 11/16"-3 13/16"	47/50"	3/50"	\$4.47
98-103 W1	3 13/16"-4 1/16"	47/50"	3/50"	\$4.57
104-112 W1	4 1/16"-4 7/16"	47/50"	3/50"	\$4.68
113-121 W1	4 7/16"-4 3/4"	47/50"	3/50"	\$4.89
122-130 W1	4 3/4"-5 1/8"	47/50"	3/50"	\$4.99
131-139 W1	5 1/8"-5 1/2"	47/50"	3/50"	\$6.58
140-148 W1	5 1/2"-5 7/8"	1 1/50"	3/50"	\$6.68
149-161 W1	5 7/8"-6 5/16"	1 1/50"	3/50"	\$7.12
162-174 W1	6 5/16"-6 7/8"	1 1/50"	3/50"	\$7.44
175-187 W1	6 7/8"-7 3/8"	1 1/50"	3/50"	\$7.55
188-200 W1	7 3/8"-7 7/8"	1 1/50"	3/50"	\$7.86
201-213 W1	7 7/8"-8 3/8"	1 1/50"	3/50"	\$7.86
214-226 W1	8 3/8"-8 7/8"	1 1/50"	3/50"	\$8.18
227-239 W1	8 7/8"-9 3/8"	1 1/50"	3/50"	\$8.28
240-252 W1	9 3/8"-9 15/16"	1 1/50"	3/50"	\$8.61
254-267 W1	9 15/16"-10 1/2"	1 1/50"	3/50"	\$9.25
304-316 W1	11 15/16"-12 7/16"	1 1/50"	3/50"	\$9.56

MOD	HOSE O.D. (D) in	BANDWIDTH (W) in	BAND THICKNESS (T) in	LIST PRICE \$
Stainless Steel AISI 304 (W4)				
29-31 W4	1 1/8"-1 1/4"	4/5"	6/50"	\$4.99
32-35 W4	1 1/4"-1 3/8"	4/5"	6/50"	\$5.11
36-39 W4	1 3/8"-1 1/2"	4/5"	6/50"	\$5.21
40-43 W4	1 1/2"-1 11/16"	4/5"	6/50"	\$5.48
44-47 W4	1 11/16"-1 7/8"	4/5"	6/50"	\$5.95
48-51 W4	1 7/8"-2"	4/5"	6/50"	\$6.06
52-55 W4	2"-2 3/16"	4/5"	6/50"	\$6.39
56-59 W4	2 3/16"-2 5/16"	4/5"	6/50"	\$6.58
60-63 W4	2 5/16"-2 1/2"	4/5"	6/50"	\$6.80
64-67 W4	2 1/2"-2 5/8"	4/5"	6/50"	\$7.00
68-73 W4	2 5/8"-2 7/8"	47/50"	1/25"	\$8.82
74-79 W4	2 7/8"-3 1/8"	47/50"	1/25"	\$9.03
80-85 W4	3 1/8"-3 5/16"	47/50"	1/25"	\$9.35
86-91 W4	3 3/8"-3 11/16"	47/50"	1/25"	\$9.46
92-97 W4	3 11/16"-3 13/16"	47/50"	1/25"	\$9.89
98-103 W4	3 13/16"-4 1/16"	47/50"	1/25"	\$9.98
104-112 W4	4 1/16"-4 7/16"	47/50"	1/25"	\$10.84
113-121 W4	4 7/16"-4 3/4"	47/50"	1/25"	\$10.95
122-130 W4	4 3/4"-5 1/8"	47/50"	1/25"	\$11.46
131-139 W4	5 1/8"-5 1/2"	47/50"	1/25"	\$16.25
140-148 W4	5 1/2"-5 7/8"	1 1/50"	1/25"	\$16.57
149-161 W4	5 7/8"-6 5/16"	1 1/50"	1/25"	\$17.74
162-174 W4	6 5/16"-6 7/8"	1 1/50"	1/25"	\$17.95
175-187 W4	6 7/8"-7 3/8"	1 1/50"	1/25"	\$18.28
188-200 W4	7 3/8"-7 7/8"	1 1/50"	1/25"	\$19.12
201-213 W4	7 7/8"-8 3/8"	1 1/50"	1/25"	\$19.33
214-226 W4	8 3/8"-8 7/8"	1 1/50"	1/25"	\$19.65
227-239 W4	8 7/8"-9 3/8"	1 1/50"	1/25"	\$20.51
240-252 W4	9 3/8"-9 15/16"	1 1/50"	1/25"	\$20.82
254-267 W4	9 15/16"-10 1/2"	1 1/50"	1/25"	\$21.35
304-316 W4	11 15/16"-12 7/16"	1 1/50"	1/25"	\$22.09



ACCESSORIES

SUPEREXTRA SINGLE BOLT CLAMP



Construction: Bolt: Socket head grade 8.8. Available in Galvanized Steel, Stainless Steel AISI 304 and AISI 316.

Feature: Clamp has a double band making it a very strong heavy duty clamp. Bridge welded onto lamp for optional hose protection. Solid metal rollers complement the strength of the double band. Socket head screws allow for easy installation with allen key.

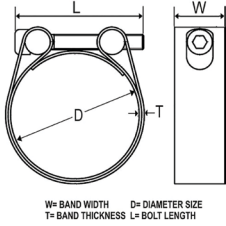
Application: Double bank make clamp ideal for heavy applications. Main applications are heavy vehicles and industrial machinery. Availability of clamp in AISI 316 make it popular for use in marine and offshore applications.

MOD	HOSE O.D. - MM (D)	HOSE O.D. (D)	BAND WIDTH (W)	BAND THICKNESS (T)	BOLT LENGTH (L)	LIST PRICE
	in	in	in	in	in	\$
Galvanized Steel (W1)						
S-35 W1	30 - 36	1 3/16"-1 7/16"	4/5"	1/50"	1 4/5"	\$3.62
S-40 W1	35 - 41	1 3/8"-1 5/8"	4/5"	1/50"	1 4/5"	\$3.71
S-45 W1	40 - 46	1 9/16"-1 13/16"	4/5"	1/50"	1 4/5"	\$3.71
S-50 W1	45 - 51	1 3/4"-2"	4/5"	1/50"	1 4/5"	\$3.82
S-55 W1	50 - 56	2"-2 3/16"	4/5"	1/50"	1 4/5"	\$3.93
S-60 W1	55 - 61	2 3/16"-2 3/8"	4/5"	1/50"	1 4/5"	\$4.04
S-65 W1	60 - 66	2 3/8"-2 5/8"	4/5"	1/50"	1 4/5"	\$4.35
S-70 W1	65 - 71	2 9/16"-2 13/16"	4/5"	1/50"	1 4/5"	\$4.47
S-75 W1	70 - 76	2 3/4"-3"	4/5"	1/50"	1 4/5"	\$4.47
S-80 W1	75 - 76	2 15/16"-3 3/16"	4/5"	1/50"	1 4/5"	\$4.57
S-85 W1	80 - 86	3 1/8"-3 3/8"	4/5"	1/50"	1 4/5"	\$4.68
S-90 W1	85 - 91	3 3/8"-3 9/16"	4/5"	1/50"	1 4/5"	\$4.68
S-95 W1	90 - 96	3 9/16"-3 3/4"	4/5"	1/50"	1 4/5"	\$4.78
S-100 W1	95 - 101	3 3/4"-4"	4/5"	1/50"	1 4/5"	\$4.89
S-105 W1	100 - 106	3 15/16"-4 3/16"	4/5"	1/50"	1 4/5"	\$5.11
S-110 W1	105 - 111	4 1/8"-4 3/8"	4/5"	1/50"	1 4/5"	\$5.21
S-115 W1	110 - 116	4 5/16"-4 9/16"	4/5"	1/50"	1 4/5"	\$5.31
S-120 W1	115 - 121	4 1/2"-4 3/4"	4/5"	1/50"	1 4/5"	\$5.42
S-125 W1	120 - 126	4 11/16"-4 15/16"	4/5"	1/50"	1 4/5"	\$5.52
S-130 W1	125 - 131	4 15/16"-5 1/8"	4/5"	1/50"	1 4/5"	\$5.75
S-135 W1	130 - 136	5 1/8"-5 5/16"	4/5"	1/50"	1 4/5"	\$5.75
S-140 W1	135 - 141	5 5/16"-5 9/16"	4/5"	1/50"	1 4/5"	\$5.84
S-145 W1	140 - 146	5 1/2"-5 3/4"	4/5"	1/50"	1 4/5"	\$5.95
S-150 W1	145 - 151	5 11/16"-5 15/16"	4/5"	1/50"	1 4/5"	\$5.95

MOD	HOSE O.D. - MM (D)	HOSE O.D. (D)	BAND WIDTH (W)	BAND THICKNESS (T)	BOLT LENGTH (L)	LIST PRICE
	in	in	in	in	in	\$
Stainless Steel AISI 304 (W4)						
S-35 W4	30 - 36	1 3/16"-1 7/16"	4/5"	1/50"	1 4/5"	\$9.56
S-40 W4	35 - 41	1 3/8"-1 5/8"	4/5"	1/50"	1 4/5"	\$9.77
S-45 W4	40 - 46	1 9/16"-1 13/16"	4/5"	1/50"	1 4/5"	\$9.98
S-50 W4	45 - 51	1 3/4"-2"	4/5"	1/50"	1 4/5"	\$10.09
S-55 W4	50 - 56	2"-2 3/16"	4/5"	1/50"	1 4/5"	\$10.53
S-60 W4	55 - 61	2 3/16"-2 3/8"	4/5"	1/50"	1 4/5"	\$10.84
S-65 W4	60 - 66	2 3/8"-2 5/8"	4/5"	1/50"	1 4/5"	\$10.95
S-70 W4	65 - 71	2 9/16"-2 13/16"	4/5"	1/50"	1 4/5"	\$11.37
S-75 W4	70 - 76	2 3/4"-3"	4/5"	1/50"	1 4/5"	\$11.59
S-80 W4	75 - 76	2 15/16"-3 3/16"	4/5"	1/50"	1 4/5"	\$11.79
S-85 W4	80 - 86	3 1/8"-3 3/8"	4/5"	1/50"	1 4/5"	\$11.79
S-90 W4	85 - 91	3 3/8"-3 9/16"	4/5"	1/50"	1 4/5"	\$12.11
S-95 W4	90 - 96	3 9/16"-3 3/4"	4/5"	1/50"	1 4/5"	\$12.54
S-100 W4	95 - 101	3 3/4"-4"	4/5"	1/50"	1 4/5"	\$12.75
S-105 W4	100 - 106	3 15/16"-4 3/16"	4/5"	1/50"	1 4/5"	\$12.96
S-110 W4	105 - 111	4 1/8"-4 3/8"	4/5"	1/50"	1 4/5"	\$13.49
S-115 W4	110 - 116	4 5/16"-4 9/16"	4/5"	1/50"	1 4/5"	\$13.70
S-120 W4	115 - 121	4 1/2"-4 3/4"	4/5"	1/50"	1 4/5"	\$14.03
S-125 W4	120 - 126	4 11/16"-4 15/16"	4/5"	1/50"	1 4/5"	\$14.44
S-130 W4	125 - 131	4 15/16"-5 1/8"	4/5"	1/50"	1 4/5"	\$14.76
S-135 W4	130 - 136	5 1/8"-5 5/16"	4/5"	1/50"	1 4/5"	\$14.98
S-140 W4	135 - 141	5 5/16"-5 9/16"	4/5"	1/50"	1 4/5"	\$15.19
S-145 W4	140 - 146	5 1/2"-5 3/4"	4/5"	1/50"	1 4/5"	\$15.40
S-150 W4	145 - 151	5 11/16"-5 15/16"	4/5"	1/50"	1 4/5"	\$15.51



SUPEREXTRA SINGLE BOLT CLAMP



Construction: Bolt: Socket head grade 8.8. Available in Galvanized Steel, Stainless Steel AISI 304 and AISI 316.

Feature: Clamp has a double band making it a very strong heavy duty clamp. Bridge welded onto lamp for optional hose protection. Solid metal rollers complement the strength of the double band. Socket head screws allow for easy installation with allen key.

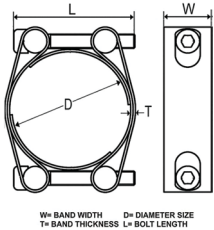
Application: Double bank make clamp ideal for heavy applications. Main applications are heavy vehicles and industrial machinery. Availability of clamp in AISI 316 make it popular for use in marine and offshore applications.

MOD	HOSE O.D. - MM (D)	HOSE O.D. (D)	BAND WIDTH (W)	BAND THICKNESS (T)	BOLT LENGTH (L)	LIST PRICE
		in	in	in		\$
Stainless Steel AISI 316 (W5)						
S-35 W5	30 - 36	1 3/16"-1 7/16"	4/5"	1/50"	1 4/5"	\$14.23
S-40 W5	35 - 41	1 3/8"-1 5/8"	4/5"	1/50"	1 4/5"	\$14.34
S-45 W5	40 - 46	1 9/16"-1 13/16"	4/5"	1/50"	1 4/5"	\$14.76
S-50 W5	45 - 51	1 3/4"-2"	4/5"	1/50"	1 4/5"	\$14.98
S-55 W5	50 - 56	2"-2 3/16"	4/5"	1/50"	1 4/5"	\$15.40
S-60 W5	55 - 61	2 3/16"-2 3/8"	4/5"	1/50"	1 4/5"	\$15.73
S-65 W5	60 - 66	2 3/8"-2 5/8"	4/5"	1/50"	1 4/5"	\$16.25
S-70 W5	65 - 71	2 9/16"-2 13/16"	4/5"	1/50"	1 4/5"	\$16.57
S-75 W5	70 - 76	2 3/4"-3"	4/5"	1/50"	1 4/5"	\$17.31
S-80 W5	75 - 76	2 15/16"-3 3/16"	4/5"	1/50"	1 4/5"	\$17.74
S-85 W5	80 - 86	3 1/8"-3 3/8"	4/5"	1/50"	1 4/5"	\$18.07
S-90 W5	85 - 91	3 3/8"-3 9/16"	4/5"	1/50"	1 4/5"	\$18.38
S-95 W5	90 - 96	3 9/16"-3 3/4"	4/5"	1/50"	1 4/5"	\$18.81
S-100 W5	95 - 101	3 3/4"-4"	4/5"	1/50"	1 4/5"	\$19.54
S-105 W5	100 - 106	3 15/16"-4 3/16"	4/5"	1/50"	1 4/5"	\$20.18
S-110 W5	105 - 111	4 1/8"-4 3/8"	4/5"	1/50"	1 4/5"	\$20.93
S-115 W5	110 - 116	4 5/16"-4 9/16"	4/5"	1/50"	1 4/5"	\$21.35
S-120 W5	115 - 121	4 1/2"-4 3/4"	4/5"	1/50"	1 4/5"	\$21.67
S-125 W5	120 - 126	4 11/16"-4 15/16"	4/5"	1/50"	1 4/5"	\$21.99
S-130 W5	125 - 131	4 15/16"-5 1/8"	4/5"	1/50"	1 4/5"	\$22.42
S-135 W5	130 - 136	5 1/8"-5 5/16"	4/5"	1/50"	1 4/5"	\$22.74
S-140 W5	135 - 141	5 5/16"-5 9/16"	4/5"	1/50"	1 4/5"	\$23.15
S-145 W5	140 - 146	5 1/2"-5 3/4"	4/5"	1/50"	1 4/5"	\$23.79
S-150 W5	145 - 151	5 11/16"-5 15/16"	4/5"	1/50"	1 4/5"	\$24.53



ACCESSORIES

SUPEREXTRA DOUBLE BOLT CLAMP



Construction: Bolt: Socket head grade 8.8. Available in Galvanized Steel, Stainless Steel AISI 304 and AISI 316.

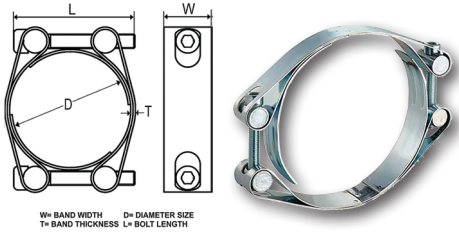
Feature: Heavy duty clamp having double screws providing it a high clamping force. Clamp has a double band making it a very strong heavy duty clamp. Contains 2 bridges welded onto the clamp band for optimal hose protection. Contains 2 pairs of solid metal rollers which complement the strength of the double band. The double bolts allow for easy fitting on prefixed hoses. Socket head screws allow for easy installation with allen key.

Application: Ideal for applications where higher pressure and greater strength is required. Main applications are heavy vehicles and industrial machinery. Availability of clamp in AISI 316 make it popular for use in marine and offshore applications.

MOD	HOSE O.D. - MM (D)	HOSE O.D. (D)	BANDWIDTH (W)	LIST PRICE	MOD	HOSE O.D. - MM (D)	HOSE O.D. (D)	BANDWIDTH (W)	LIST PRICE
		in	in	\$			in	in	\$
Galvanized Steel (W1)					Stainless Steel AISI 304 (W4)				
SD-50 W1	41 - 51	1 5/8"-2"	4/5"	\$6.53	SD-50 W4	41 - 51	1 5/8"-2"	4/5"	\$16.15
SD-55 W1	46 - 56	1 13/16"-2 3/16"	4/5"	\$6.60	SD-55 W4	46 - 56	1 13/16"-2 3/16"	4/5"	\$17.53
SD-60 W1	51 - 61	2"-2 3/8"	4/5"	\$6.62	SD-60 W4	51 - 61	2"-2 3/8"	4/5"	\$17.74
SD-65 W1	56 - 66	2 3/16"-2 9/16"	4/5"	\$6.65	SD-65 W4	56 - 66	2 3/16"-2 9/16"	4/5"	\$18.07
SD-70 W1	61 - 71	2 3/8"-2 13/16"	4/5"	\$6.82	SD-70 W4	61 - 71	2 3/8"-2 13/16"	4/5"	\$18.17
SD-75 W1	66 - 76	2 9/16"-3"	4/5"	\$6.68	SD-75 W4	66 - 76	2 9/16"-3"	4/5"	\$18.38
SD-80 W1	71 - 81	2 13/16"-3 3/16"	4/5"	\$6.80	SD-80 W4	71 - 81	2 13/16"-3 3/16"	4/5"	\$19.12
SD-85 W1	76 - 86	3"-3 3/8"	4/5"	\$6.91	SD-85 W4	76 - 86	3"-3 3/8"	4/5"	\$19.54
SD-90 W1	81 - 91	3 3/16"-3 9/16"	4/5"	\$7.12	SD-90 W4	81 - 91	3 3/16"-3 9/16"	4/5"	\$19.75
SD-95 W1	86 - 96	3 3/8"-3 3/4"	4/5"	\$7.22	SD-95 W4	86 - 96	3 3/8"-3 3/4"	4/5"	\$20.07
SD-100 W1	91 - 101	3 9/16"-4"	4/5"	\$7.32	SD-100 W4	91 - 101	3 9/16"-4"	4/5"	\$20.39
SD-105 W1	96 - 106	3 13/16"-4 3/16"	4/5"	\$7.55	SD-105 W4	96 - 106	3 13/16"-4 3/16"	4/5"	\$20.71
SD-110 W1	101 - 111	4"-4 3/8"	4/5"	\$7.64	SD-110 W4	101 - 111	4"-4 3/8"	4/5"	\$21.03
SD-115 W1	106 - 116	4 3/16"-4 9/16"	4/5"	\$7.76	SD-115 W4	106 - 116	4 3/16"-4 9/16"	4/5"	\$21.45
SD-120 W1	111 - 121	4 3/8"-4 3/4"	4/5"	\$7.97	SD-120 W4	111 - 121	4 3/8"-4 3/4"	4/5"	\$21.70
SD-125 W1	116 - 126	4 9/16"-4 15/16"	4/5"	\$8.08	SD-125 W4	116 - 126	4 9/16"-4 15/16"	4/5"	\$21.98
SD-130 W1	121 - 131	4 3/4"-5 1/8"	4/5"	\$8.18	SD-130 W4	121 - 131	4 3/4"-5 1/8"	4/5"	\$22.25
SD-135 W1	126 - 136	4 15/16"-5 5/16"	4/5"	\$8.39	SD-135 W4	126 - 136	4 15/16"-5 5/16"	4/5"	\$22.42
SD-140 W1	131 - 141	5 1/8"-5 9/16"	4/5"	\$8.49	SD-140 W4	131 - 141	5 1/8"-5 9/16"	4/5"	\$23.15
SD-145 W1	136 - 146	5 5/16"-5 3/4"	4/5"	\$8.71	SD-145 W4	136 - 146	5 5/16"-5 3/4"	4/5"	\$23.79
SD-150 W1	141 - 151	5 9/16"-5 15/16"	4/5"	\$8.82	SD-150 W4	141 - 151	5 9/16"-5 15/16"	4/5"	\$24.01
SD-155 W1	146 - 156	5 3/4"-6 1/8"	4/5"	\$8.92	SD-155 W4	146 - 156	5 3/4"-6 1/8"	4/5"	\$24.12
SD-160 W1	151 - 161	5 15/16"-6 5/16"	4/5"	\$8.92	SD-160 W4	151 - 161	5 15/16"-6 5/16"	4/5"	\$24.23
SD-165 W1	156 - 166	6 1/8"-6 9/16"	4/5"	\$9.13	SD-165 W4	156 - 166	6 1/8"-6 9/16"	4/5"	\$24.53
SD-170 W1	161 - 171	6 5/16"-6 3/4"	4/5"	\$9.25	SD-170 W4	161 - 171	6 5/16"-6 3/4"	4/5"	\$24.96
SD-175 W1	166 - 176	6 9/16"-6 15/16"	4/5"	\$9.35	SD-175 W4	166 - 176	6 9/16"-6 15/16"	4/5"	\$25.29
SD-180 W1	171 - 181	6 3/4"-7 1/8"	4/5"	\$9.35	SD-180 W4	171 - 181	6 3/4"-7 1/8"	4/5"	\$25.60



SUPEREXTRA DOUBLE BOLT CLAMP



Construction: Bolt: Socket head grade 8.8. Available in Galvanized Steel, Stainless Steel AISI 304 and AISI 316.

Feature: Heavy duty clamp having double screws providing it a high clamping force. Clamp has a double band making it a very strong heavy duty clamp. Contains 2 bridges welded onto the clamp band for optimal hose protection. Contains 2 pairs of solid metal rollers which complement the strength of the double band. The double bolts allow for easy fitting on prefixed hoses. Socket head screws allow for easy installation with allen key.

Application: Ideal for applications where higher pressure and greater strength is required. Main applications are heavy vehicles and industrial machinery. Availability of clamp in AISI 316 make it popular for use in marine and offshore applications.

MOD	HOSE O.D. - MM (D)	HOSE O.D. (D)	BANDWIDTH (W)	LIST PRICE
		in	in	\$
Stainless Steel AISI 316 (W5)				
SD-50 W5	41 - 51	1 5/8"-2"	4/5"	\$25.25
SD-55 W5	46 - 56	1 13/16"-2 3/16"	4/5"	\$25.49
SD-60 W5	51 - 61	2"-2 3/8"	4/5"	\$26.35
SD-65 W5	56 - 66	2 3/16"-2 9/16"	4/5"	\$26.56
SD-70 W5	61 - 71	2 3/8"-2 13/16"	4/5"	\$27.09
SD-75 W5	66 - 76	2 9/16"-3"	4/5"	\$27.41
SD-80 W5	71 - 81	2 13/16"-3 3/16"	4/5"	\$28.90
SD-85 W5	76 - 86	3"-3 3/8"	4/5"	\$29.22
SD-90 W5	81 - 91	3 3/16"-3 9/16"	4/5"	\$29.63
SD-95 W5	86 - 96	3 3/8"-3 3/4"	4/5"	\$30.37
SD-100 W5	91 - 101	3 9/16"-4"	4/5"	\$31.02
SD-105 W5	96 - 106	3 13/16"-4 3/16"	4/5"	\$31.77
SD-110 W5	101 - 111	4"-4 3/8"	4/5"	\$32.51
SD-115 W5	106 - 116	4 3/16"-4 9/16"	4/5"	\$33.25
SD-120 W5	111 - 121	4 3/8"-4 3/4"	4/5"	\$34.00
SD-125 W5	116 - 126	4 9/16"-4 15/16"	4/5"	\$34.32
SD-130 W5	121 - 131	4 3/4"-5 1/8"	4/5"	\$34.64
SD-135 W5	126 - 136	4 15/16"-5 5/16"	4/5"	\$35.05
SD-140 W5	131 - 141	5 1/8"-5 9/16"	4/5"	\$36.11
SD-145 W5	136 - 146	5 5/16"-5 3/4"	4/5"	\$36.85
SD-150 W5	141 - 151	5 9/16"-5 15/16"	4/5"	\$37.18
SD-155 W5	146 - 156	5 3/4"-6 1/8"	4/5"	\$37.50
SD-160 W5	151 - 161	5 15/16"-6 5/16"	4/5"	\$37.91
SD-165 W5	156 - 166	6 1/8"-6 9/16"	4/5"	\$38.24
SD-170 W5	161 - 171	6 5/16"-6 3/4"	4/5"	\$38.99
SD-175 W5	166 - 176	6 9/16"-6 15/16"	4/5"	\$39.41
SD-180 W5	171 - 181	6 3/4"-7 1/8"	4/5"	\$39.73

MOD	HOSE O.D. - MM (D)	HOSE O.D. (D)	BANDWIDTH (W)	LIST PRICE
		in	in	\$
Galvanized Steel (W1)				
D-70 W1	61 - 71	2 3/8"-2 13/16"	49/50"	\$9.25
D-75 W1	66 - 76	2 5/8"-3"	49/50"	\$9.35
D-80 W1	71 - 81	2 13/16"-3 3/16"	49/50"	\$9.56
D-85 W1	76 - 86	3"-3 3/8"	49/50"	\$9.56
D-90 W1	81 - 91	3 3/16"-3 9/16"	49/50"	\$9.77
D-95 W1	86 - 96	3 3/8"-3 3/4"	49/50"	\$9.89
D-100 W1	91 - 101	3 9/16"-4"	49/50"	\$10.09
D-105 W1	96 - 106	3 13/16"-4 3/16"	49/50"	\$10.20
D-110 W1	101 - 111	4"-4 3/8"	49/50"	\$10.41
D-115 W1	106 - 116	4 3/16"-4 9/16"	49/50"	\$10.53
D-120 W1	111 - 121	4 3/8"-4 3/4"	49/50"	\$10.73
D-125 W1	116 - 126	4 9/16"-4 15/16"	49/50"	\$10.84
D-130 W1	121 - 131	4 3/4"-5 1/8"	49/50"	\$10.95
D-135 W1	126 - 136	4 15/16"-5 3/8"	49/50"	\$11.05
D-140 W1	131 - 141	5 1/8"-5 9/16"	49/50"	\$11.15
D-145 W1	136 - 146	5 3/8"-5 3/4"	49/50"	\$11.59
D-150 W1	141 - 151	5 9/16"-5 15/16"	49/50"	\$11.69
D-155 W1	146 - 156	5 3/4"-6 1/8"	49/50"	\$11.79
D-160 W1	151 - 161	5 15/16"-6 5/16"	49/50"	\$11.90
D-165 W1	156 - 166	6 1/8"-6 9/16"	49/50"	\$12.11
D-170 W1	161 - 171	6 5/16"-6 3/4"	49/50"	\$12.33
D-175 W1	166 - 176	6 9/16"-6 15/16"	49/50"	\$12.42
D-180 W1	171 - 181	6 3/4"-7 1/8"	49/50"	\$12.54
D-185 W1	176 - 186	6 15/16"-7 5/16"	49/50"	\$12.54
D-190 W1	181 - 191	7 1/8"-7 1/2"	49/50"	\$12.63
D-195 W1	186 - 196	7 5/16"-7 11/16"	49/50"	\$12.75
D-200 W1	191 - 201	7 1/2"-7 15/16"	49/50"	\$12.75
D-210 W1	201 - 211	7 15/16"-8 5/16"	49/50"	\$12.85
D-220 W1	211 - 221	8 5/16"-8 11/16"	49/50"	\$12.96
D-230 W1	221 - 231	8 11/16"-9 1/16"	49/50"	\$12.96



ACCESSORIES

SPIRAL CLAMP & WHIPCHECK



Spiral Clamp:

Construction: Available in Trivalent Plating. Available for clockwise and anti clockwise spirals.

Feature: Total 360 degree vacuum seal. Single clamp provides adequate. Torque to replace 2 conventional clamps on spiral hoses. Clamp is reusable; often referred to as a lifetime heavy duty clamp.

Application: Ideal for convoluted hoses used in fluid and chemical transfer, food and syrup handling, water suction and discharge, vacuum lines, slurry handling, etc.

MOD	SIZE	FITS HOSES	LIST PRICE
		in	\$
Spiral Clamp - Trivalent Plating			
PC-37C	37 - 50	1 1/2"	\$11.05
PC-50C	50 - 65	2"	\$12.85
PC-65C	65 - 75	2 1/2"	\$14.76
PC-75C	75 - 90	3"	\$18.38
PC-100C	100 - 115	4"	\$22.09
PC-125C	125 - 143	5"	\$29.43
PC-150C	150 - 167	6"	\$32.40
PC-200C	200 - 230	8"	\$44.19
PC-250C	250 - 285	10"	\$58.97
PC-300C	300 - 340	12"	\$73.73

Whipcheck:



A pressurized air hose in case of hose failure or accidental uncoupling could cause the hose assembly to whip violently due to the sudden release of energy. This could make the whipping hose lethal and create a potentially dangerous situation. In such a scenario Superex whipchecks ensure safety from injury and property damage. Whipchecks are safety cables made to corrosion resistant, high strength steel, which on installation divert strain from the coupling to the whipcheck. Installation of whipchecks is easy and requires no tools- the spring loaded loops of the whipchecks are opened and slipped over each hose providing a firm grip on the hose and avoiding it from whipping in case of accidents.

Application: Whipchecks are commonly used on hose for air, water blast, drilling, steam, concrete, sandblast or other high pressure applications.

MOD	WIRE DIAMETER	FITS HOSES	LIST PRICE
	in	in	\$
Whipcheck - Hose to Hose			
WH3	1/8"	1/2" to 1 1/4"	\$7.97
WH5	3/16"	1/2" to 2"	\$19.87
WH6	1/4"	1 1/2" to 3"	\$21.67
WH10	3/8"	4"	\$86.68
Whipcheck - Hose to Tool			
WT3	1/8"	1/2" to 1 1/4"	\$7.22
WT5	3/16"	1/2" to 2"	\$18.07
WT6	1/4"	1 1/2" to 3"	\$19.87



A.R. BLUE CLEAN

BC111HS
BC142HS
BC383HS
BC383HSS
BC390HSS
BC2N1HSS
BCXP22000
BCXP22300P

BM2300
BM3000
BMXP32300
BMXP32700P
AR610
AR620
AR630
AR630TSS

AR630-HOT
AR630TSS-HOT
AR613
AR613K
AR675
AR675K



A.R. BLUE CLEAN

The Cleaning Division, with its many brands and prestige licenses, is particularly important within the Annovi Reverberi world.

Over the years, this division has successfully grown, consolidated, and built high pressure washers constantly up-to-date with the latest developments and, above all, the market's demands.

Through strategic marketing, the know-how acquired by the technical side and thorough, accurate production management, the Cleaning Division has been quick to identify and respond to the market's transformations and changes, offering solutions that are always in line with the times, with all the AR brand's outstanding quality.



Equipped With

- Trigger gun with safety lock system
- 15° QC spray nozzle
- On unit accessory storage
- 20' super soft HP hose with strap and dedicated storage hook
- 35' Power cord with auto reset GFCI
- High pressure foam cannon
- Garden Hose Adapter included
- 3 Axial stainless steel pistons wobble-plate pump with aluminum head
- Tempered stainless steel pistons
- Total Stop System
- Motor thermal protector

BC 111 HS

MOD	DESCRIPTION	MAX	MAX				NET	SUGGESTED RETAIL PRICE
		psi	gpm	amp	hz	v	lbs	\$

BC 111 HS
UPC: 1 92216 14974 8

BC111HS	Pressure Washer	1,600	1.7	12.5	60	120	16.3	\$149.00
---------	-----------------	-------	-----	------	----	-----	------	----------

Standard Replacement Parts

PW4381488	Spray Gun							\$15.95
PW4620275	Foam Cannon							\$17.95
PW4222190	HP Hose Black Replacement							\$21.95
PW4222470	Lance							\$12.95
PW4222590	QC spray nozzle 15°							\$3.95
PW4221570	Garden hose adapter							\$7.95



Equipped With

- Trigger gun with safety lock system
- 15° QC spray nozzle
- On unit accessory storage
- 20' super soft HP hose with strap and dedicated storage hook
- 35' Power cord with auto reset GFCI
- High pressure foam cannon
- Two wheel trolley / Wheels 4.7"
- Garden Hose Adapter included
- 3 Axial stainless steel pistons
- Total Stop System
- Motor thermal protector

BC 142 HS

MOD	DESCRIPTION	MAX	MAX				NET	SUGGESTED RETAIL PRICE
		psi	gpm	amp	hz	v	lbs	\$

BC 142 HS
UPC: 1 92216 14975 5

BC142HS	Pressure Washer	1,700	1.7	11	60	120	18.3	\$159.00
---------	-----------------	-------	-----	----	----	-----	------	----------

Standard Replacement Parts

PW4381488	Spray Gun							\$15.95
PW4620275	Foam Cannon							\$17.95
PW4222190	HP Hose Black (Replacement)							\$21.95
PW4222470	Lance							\$12.95
PW4222600	QC spray nozzle 15°							\$3.95
PW4221570	Garden hose adapter							\$7.95



BLUE CLEAN

PRESSURE WASHERS



Equipped With

- Two wheel trolley with soft grip and storage hose reel Wheels 5.9"
- Trigger gun with safety lock system
- 15° QC spray nozzle
- QC turbo nozzle
- Accessories on board
- 20' super soft HP hose with strap and dedicated

- High pressure foam cannon
- 35' Power cord with auto reset GFCI
- Garden Hose Adapter included
- 3 Axial stainless steel pistons wobble-plate pump with aluminum head
- Tempered stainless steel pistons
- Total Stop System
- Motor thermal protector

BC 383 HS

MOD	DESCRIPTION	 MAX	 MAX			SUGGESTED RETAIL PRICE
		psi	gpm	amp	hz v	lbs \$

BC 383 HS
UPC: 1 92216 14977 9

BC383HS	Pressure Washer	2,000	1.7	13	60 120	24.5 \$219.00
---------	-----------------	-------	-----	----	--------	---------------

Standard Replacement Parts

PW4381488	Spray Gun					\$20.95
PW4620260	Foam Cannon					\$17.95
PW4222220	25' HP Hose Black (Replacement)					\$28.95
PW4222470	Lance					\$12.95
PW4222590	QC spray nozzle 15°					\$3.95
PW4222750	Turbo Nozzle					\$3.95
PW4221570	Garden hose adapter					\$7.95



Equipped With

- Two wheel trolley with telescopic handle and soft grip/Wheels 5.9"
- Metal trigger gun and safety lock system and nozzle holder
- 15°/25° QC spray nozzles
- QC turbo nozzle
- On unit accessory storage

- 25' super soft HP hose with strap and dedicated storage hook
- High pressure foam cannon
- 35' Power cord with auto reset GFCI
- Garden Hose Adapter included
- 3 Axial stainless steel pistons wobble- plate pump with aluminum head
- Tempered stainless steel pistons
- Total Stop System
- Motor thermal protector

BC 383 HSS

MOD	DESCRIPTION	 MAX	 MAX			SUGGESTED RETAIL PRICE
		psi	gpm	amp	hz v	lbs \$

BC 383 HSS
UPC: 1 92216 14978 6

BC383HSS	Pressure Washer	2,150	1.6	13	60 120	27.3 \$249.00
----------	-----------------	-------	-----	----	--------	---------------

Standard Replacement Parts

PW4221762	Spray Gun					\$26.95
PW4620594	Foam Cannon					\$17.95
PW4222220	25' HP Hose Black (Replacement)					\$28.95
PW3400960	Lance					\$14.95
PW4222610	QC spray nozzle 15°					\$3.95
PW4222620	QC spray nozzle 25°					\$3.95
PW4222790	Turbo Nozzle					\$21.95
PW4221570	Garden hose adapter					\$7.95



Equipped With

- Two wheel trolley with soft grip handle and integrated hose reel/Wheels 7"
- Trigger gun with safety lock system
- 15°/25°/Soap QC spray nozzles
- QC turbo nozzle
- On unit accessory storage

- 25' super soft HP hose
- Integrated detergent tank / 48 oz
- 35' Power cord with auto reset GFCI
- 3 Axial stainless steel pistons wobble-plate pump and aluminum head
- Tempered stainless steel pistons
- Total Stop System
- Motor thermal protector

BC 390 HSS

MOD	DESCRIPTION	MAX	MAX				NET	SUGGESTED RETAIL PRICE
		psi	gpm	amp	hz	v	lbs	\$

BC 390 HSS

UPC: 1 92216 14979 3

BC390HSS	Pressure Washer	2,300	1.7	13	60	120	32.4	\$299.00
----------	-----------------	-------	-----	----	----	-----	------	----------

Standard Replacement Parts

PW4221762	Spray Gun							\$26.95
PW3400960	Lance							\$14.95
PW4221480	30' HP Hose Black (Replacement)							\$28.95
PW4221470	Soap spray nozzle							\$3.95
PW4222760	QC spray nozzle 15°							\$3.95
PW4222770	QC spray nozzle 25°							\$3.95
PW4222800	Turbo Nozzle							\$21.95
PW4221570	Garden hose adapter							\$7.95



Equipped With

- Two wheel metal trolley with soft grip handle and portable unit quick release system/Wheels 7.9"
- Trigger gun with safety lock and steel lance with quick connector
- 15°/25° QC spray nozzles
- QC turbo nozzle
- Accessories on board

- 25' super soft HP hose with strap and dedicated storage hook
- High pressure foam cannon
- 35' Power cord with auto reset GFCI
- Garden Hose Adapter
- 3 Axial stainless steel pistons wobble-plate pump with aluminum head
- Tempered stainless steel pistons
- Total Stop System
- Motor thermal protector

BC 2N1 HSS

MOD	DESCRIPTION	MAX	MAX				NET	SUGGESTED RETAIL PRICE
		psi	gpm	amp	hz	v	lbs	\$

BC 2N1 HSS

UPC: 92216 14975 5

BC2N1HSS	Pressure Washer	2,300	1.7	13	60	120	35.3	\$299.00
----------	-----------------	-------	-----	----	----	-----	------	----------

Standard Replacement Parts

PW4620425	Spray Gun							\$24.95
PW4620260	Foam Cannon							\$19.95
PW4222220	25' HP Hose Black (Replacement)							\$28.95
PW3400960	Lance							\$14.95
PW4222630	QC spray nozzle 15°							\$3.95
PW4222640	QC spray nozzle 25°							\$3.95
PW4222800	Turbo Nozzle							\$21.95
PW4221570	Garden hose adapter							\$7.95



BLUE CLEAN

PRESSURE WASHERS



Equipped With

- Two wheel metal trolley with soft grip handle/ Wheels 8"
- Trigger gun with safety lock and metal lance with quick connector
- 15° QC spray nozzles
- QC Turbo nozzle
- On unit accessory storage

- 20' HP hose with strap and dedicated storage hook
- High pressure foam cannon
- 35' Power cord with auto reset GFCI
- Garden hose adapter included
- 3 Axial stainless steel pistons wobble-plate pump with aluminum head
- Tempered stainless steel pistons
- Total Stop System
- Motor thermal protector

BC XP2 2000

MOD	DESCRIPTION	MAX	MAX	amp	hz	v	NET	SUGGESTED RETAIL PRICE
		psi	gpm	amp	hz	v	lbs	\$

BC XP2 2000

UPC: 1 92216 15222 9

BCXP22000	Pressure Washer	2,000	1.7	13	60	120	28.7	\$259.00
-----------	-----------------	-------	-----	----	----	-----	------	----------

Standard Replacement Parts

PW4222401	Spray Gun							\$20.95
PW4620260	Foam Cannon							\$19.95
PW4222220	25' HP Hose Black (Replacement)							\$28.95
PW4222470	Lance							\$12.95
PW4222750	QC spray nozzle 15°							\$3.95
PW4222780	Turbo Nozzle							\$21.95
PW4221570	Garden hose adapter							\$7.95



Equipped With

- Two wheel metal trolley with soft grip handle/ Wheels 8"
- Trigger gun with safety lock and metal lance with quick connector
- 15° QC spray nozzles
- On unit accessory storage
- 25' supper soft HP hose with strap and dedicated storage hook

- High pressure foam cannon
- 35' Power cord with auto reset GFCI
- Garden hose adapter included
- 3 Axial stainless steel pistons wobble-plate pump with aluminum head
- Tempered stainless steel pistons
- Total Stop System
- Motor thermal protector

BC XP2 2300 P

MOD	DESCRIPTION	MAX	MAX	amp	hz	v	NET	SUGGESTED RETAIL PRICE
		psi	gpm	amp	hz	v	lbs	\$

BC XP2 2300 P

UPC: 1 92216 15223 6

BCXP22300P	Pressure Washer	2,300	1.7	13	60	120	31.3	\$279.00
------------	-----------------	-------	-----	----	----	-----	------	----------

Standard Replacement Parts

PW4221762	Spray Gun							\$26.95
PW4620260	Foam Cannon							\$19.95
PW4222220	25' HP Hose							\$28.95
PW3400960	Lance							\$14.95
PW4222630	QC spray nozzle 15°							\$3.95
PW4222640	QC spray nozzle 25°							\$3.95
PW4222800	Turbo Nozzle							\$21.95



Equipped With

- Two wheel trolley with soft grip handle and portable unit smart release system/Wheels 7.9"
- Trigger gun with safety lock and metal lance with quick connector
- 15°/25° QC spray nozzles
- QC turbo nozzle
- On unit accessory storage

- 25' braided HP hose with strap and dedicated storage hook
- High pressure foam cannon
- 35' Power cord with auto reset GFCI
- Garden Hose Adapter included
- 3 Axial stainless steel pistons wobble-plate pump with aluminum head
- Tempered stainless steel pistons
- Total Stop System
- Motor thermal protector

BM 2300

MOD	DESCRIPTION	MAX	MAX				NET	SUGGESTED RETAIL PRICE
		psi	gpm	amp	hz	v	lbs	\$

BM2300								
UPC: 1 92216 14981 6								
BM2300	Pressure Washer	2,300	1.5	13	60	120	49.6	\$369.00

Standard Replacement Parts								
PW4620472	Spray Gun							\$26.95
PW4620260	Foam Cannon							\$19.95
PW4222220	HP Hose							\$28.95
PW3400960	Lance							\$14.95
PW4222650	QC spray nozzle 15°							\$3.95
PW4222660	QC spray nozzle 25°							\$3.95
PW4222790	Turbo Nozzle							\$21.95
PW4221570	Garden hose adapter							\$7.95



Equipped With

- Two wheel sturdy metal trolley with soft grip handle / Wheels 9.5"
- Trigger gun with safety lock and steel lance with quick connector
- 15°/25° QC spray nozzles
- QC turbo nozzle
- On unit accessory storage

- 25' braided HP hose with strap and dedicated storage hook
- High pressure foam cannon
- 35' Power cord with auto reset GFCI
- Garden Hose Adapter included
- 3 Axial stainless steel pistons wobble-plate pump with aluminum head
- Tempered stainless steel pistons
- Motor thermal protector

BM 3000

MOD	DESCRIPTION	MAX	MAX				NET	SUGGESTED RETAIL PRICE
		psi	gpm	amp	hz	v	lbs	\$

BM 3000								
UPC: 1 92216 14982 3								
BM3000	Pressure Washer	3,000	1.3	15	60	120	61.9	\$489.00

Standard Replacement Parts								
PW4320472	Spray Gun							\$26.95
PW4620260	Foam Cannon							\$19.95
PW4222440	HP Hose							\$35.95
PW4222460	Lance							\$16.95
PW4222670	QC spray nozzle 15°							\$3.95
PW4222680	QC spray nozzle 25°							\$3.95
PW4222800	Turbo Nozzle							\$21.95
PW4221570	Garden hose adapter							\$7.95



BLUE MAXX

PRESSURE WASHERS



Equipped With

- Two wheel metal trolley with soft grip handle/ Wheels 9"
- Trigger gun with safety lock and metal lance with quick connector
- 15°/25° QC spray nozzles
- QC turbo nozzle
- On unit accessory storage

- 25' supper soft HP hose with strap and dedicated storage hook
- High pressure foam cannon
- 35' Power cord with auto reset GFCI
- Garden hose adapter included
- 3 Axial stainless steel pistons wobble-plate pump with aluminum head
- Tempered stainless steel pistons
- Total Stop System
- Motor thermal protector

BM XP3 2300

MOD	DESCRIPTION	MAX	MAX				NET	SUGGESTED RETAIL PRICE
		psi	gpm	amp	hz	v	lbs	\$

BM XP3 2300

UPC: 1 92216 15224 3

BMXP32300	Pressure Washer	2,300	1.5	13	60	120	49.6	\$379.00
-----------	-----------------	-------	-----	----	----	-----	------	----------

Standard Replacement Parts

PW4221764	Spray Gun							\$26.95
PW4620260	Foam Cannon							\$19.95
PW4222220	HP Hose							\$28.95
PW4222950	Lance							\$15.95
PW4223020	QC spray nozzle 15°							\$3.95
PW4223030	QC spray nozzle 25°							\$3.95
PW4220790	Turbo Nozzle							\$21.95
PW4221570	Garden hose adapter							\$7.95



Equipped With

- Two wheel metal trolley with soft grip handle/ Wheels 9"
- Trigger gun with safety lock and metal lance with quick connector
- 15°/25° QC spray nozzles
- QC turbo nozzle
- On unit accessory storage
- 25' braided HP hose with strap and dedicated storage hook

- High pressure foam cannon
- 35' Power cord with auto reset GFCI
- Garden hose adapter included
- 3 Axial stainless steel pistons wobble-plate pump with aluminum head
- Tempered stainless steel pistons
- Total Stop System
- Motor thermal protector

BM XP3 2700 P

MOD	DESCRIPTION	MAX	MAX				NET	SUGGESTED RETAIL PRICE
		psi	gpm	amp	hz	v	lbs	\$

BC XP2 2300 P

UPC: 1 92216 15225 0

BMXP32700P	Pressure Washer	2,700	1.3	15	60	120	49.8	\$409.00
------------	-----------------	-------	-----	----	----	-----	------	----------

Standard Replacement Parts

PW4222960	Spray Gun							\$26.95
PW4620260	Foam Cannon							\$19.95
PW4222440	HP Hose							\$28.95
PW4222950	Lance							\$15.95
PW4223000	QC spray nozzle 15°							\$3.95
PW4223010	QC spray nozzle 25°							\$3.95
PW4222780	Turbo Nozzle							\$21.95
PW4221570	Garden hose adapter							\$7.95







Shipping Information

- 24 Pallet Quantity
- 47 lbs. Ship Weight
- 14 x 14 x 20 Ship Dimensions

Equipped With

- Triplex pump with ceramic plunger
- Pressure adjustment
- Built-in detergent injector
- Pressure gauge
- Motor thermal protector
- Detergent tank 7 oz
- 25' High pressure hose
- Spray gun and lance
- Vari-spray nozzle head
- 35' Power cord with GFCI

AR610 Pro-Consumer

MOD	DESCRIPTION	 MAX psi	 MAX gpm	 amp	hz	v	 lb NET lbs	SUGGESTED RETAIL PRICE \$
AR610 - Pro-Consumer UPC: 1 92216 12790 6								
AR610	Pressure Washer	1,350	1.9	15	60	120	47	\$689.00
Standard Replacement Parts								
PW2551630	High Pressure Hose							\$49.95
PW13-3/8	Spray Gun							\$29.95
PW236-1.3	Vari-Spray Lance							\$29.95
PW2605B	Garden Hose Adapter Brass Swivel Cone Filter - 3/4" F Inlet x 3/4" F Outlet							\$12.95







Shipping Information

- 24 Pallet Quantity
- 65 lbs. Ship Weight
- 14 x 14 x 20 Ship Dimensions

Equipped With

- Triplex pump with ceramic plunger
- Pressure adjustment
- Built-in detergent injector
- Pressure gauge
- Motor thermal protector
- 25' High pressure hose
- Spray gun and lance
- Vari-spray nozzle head
- 35' Power cord with GFCI

AR620 Pro-Consumer

MOD	DESCRIPTION	 MAX psi	 MAX gpm	 amp	hz	v	 lb NET lbs	SUGGESTED RETAIL PRICE \$
AR620 - Pro-Consumer UPC: 1 92216 12533 0								
AR620	Pressure Washer	1,900	2.1	20	60	120	65	\$809.00
Standard Replacement Parts								
PW2551630	High Pressure Hose							\$49.95
PW13-3/8	Spray Gun							\$29.95
PW236-1.25	Vari-Spray Lance							\$29.95
PW1264750	Garden Hose Adapter Brass Swivel Cone Filter - 3/4" F Inlet x 1/2" F Outlet							\$8.95



BLUE CLEAN PRO

PRESSURE WASHERS



AR630



AR630-TSS

Shipping Information

- 24 Pallet Quantity
- 69 lbs. Ship Weight
- 14 x14 x 20 Ship Dimensions

Equipped With

- Triplex pump with ceramic plunger
- Pressure adjustment
- Built-in detergent injector
- Pressure gauge
- Motor thermal protector
- 25' High pressure hose
- Spray gun and lance
- Vari-spray nozzle head
- 35' Power cord with GFCI
- Brass Manifold

AR630/TSS/HOT Pro-Consumer

MOD	DESCRIPTION	MAX	MAX				NET	SUGGESTED RETAIL PRICE
		psi	gpm	amp	hz	v	lbs	\$

AR630 | AR630-TSS | AR630-HOT | AR630-TSS-HOT - Pro-Consumer

UPC: 1 92216 12670 1 | 1 92216 13314 3 | 1 92216 12924 5 | 1 92216 13745 5

AR630	Pressure Washer	1,900	2.1	20	60	120	65	\$859.00
AR630-TSS	Pressure Washer w/TSS	1,900	2.1	20	60	120	67	\$899.00
AR630-HOT	Pressure Washer 180° F Inlet Temp	1,900	2.1	20	60	120	65	\$929.00
AR630-TSS-HOT	Pressure Washer w/TSS 180° F Temp	1,900	2.1	20	60	120	65	\$949.00

Standard Replacement Parts

PW2551630	High Pressure Hose							\$49.95
PW13-3/8	Spray Gun							\$29.95
PW236-1.25	Vari-Spray Lance							\$29.95
PW3051635	High Pressure Hose 30' (AR630-Hot)							\$79.95
PW925-MV70	Spray Gun (AR630-Hot)							\$49.95
PW2605B	Garden Hose Adapter Brass Swivel Cone Filter - 3/4" F Inlet x 3/4" F Outlet (TSS Units)							\$12.95
PW1264750	Garden Hose Adapter Brass Swivel Cone Filter - 3/4" F Inlet x 1/2" F Outlet							\$8.95



Shipping Information

- 12 Pallet Quantity
- 65 lbs. Ship Weight
- 19.5 x 19.5 x 24 Ship Dimensions

Equipped With

- Triplex pump with ceramic pistons and connecting rod system
- Automatic by-pass valve with pump head
- Brass pump head
- Total Stop System
- Electric motor with thermal protector
- Pressure adjustment
- Pressure gauge
- Detergent suction
- Inspectable water filter
- Electric cable length 16'

AR613K Pro-Consumer

MOD	DESCRIPTION	MAX	MAX				NET	SUGGESTED RETAIL PRICE
		psi	gpm	amp	hz	v	lbs	\$

AR613K - Pro-Consumer

UPC: 1 92216 13976 3

AR613K	Pressure Washer	1,900	2.2	20	60	115	65	\$879.00
--------	-----------------	-------	-----	----	----	-----	----	----------

Standard Replacement Parts

PW2551630	High Pressure Hose 25'							\$49.95
PW13-3/8	Spray Gun							\$29.95
PW3005890	Adjustable Spray Nozzle Lance with 1.25 orifice							\$19.95
PW2605B	Garden Hose Adapter Brass Swivel Cone Filter - 3/4" F Inlet x 3/4" F Outlet							\$12.95

BLUE CLEAN PRO

PRESSURE WASHERS



Shipping Information

- 24 Pallet Quantity
- 47 lbs. Ship Weight
- 18 x 11 x 10 Ship Dimensions

Equipped With

- Triplex pump with ceramic pistons and connecting rod system
- Automatic by-pass valve with pump head
- Brass pump head
- Total Stop System
- Electric motor with thermal protector
- Pressure adjustment
- Pressure gauge
- Detergent suction
- Inspectable water filter
- Electric cable length 16'

AR675 Pro-Consumer

MOD	DESCRIPTION	MAX psi	MAX gpm	amp	hz	v	NET lbs	SUGGESTED RETAIL PRICE \$
AR675 - Pro-Consumer UPC: 1 92216 27701 4								
AR675	Pressure Washer	2,000	1.7	15	60	120	49	\$819.00
Standard Replacement Parts								
PW2551630	High Pressure Hose 25'							\$49.95
PW13-3/8	Spray Gun							\$29.95
PW3005890	Adjustable Spray Nozzle Lance with 1.25 orifice							\$19.95
PW2605B	Garden Hose Adapter Brass Swivel Cone Filter - 3/4" F Inlet x 3/4" F Outlet							\$12.95



Shipping Information

- 12 Pallet Quantity
- 65 lbs. Ship Weight
- 19.5 x 19.5 x 24 Ship Dimensions

Equipped With

- Triplex pump with ceramic pistons and connecting rod system
- Automatic by-pass valve with pump head
- Brass pump head
- Total Stop System
- Electric motor with thermal protector
- Pressure adjustment
- Pressure gauge
- Detergent suction
- Inspectable water filter
- Electric cable length 16'

AR675K Pro-Consumer

MOD	DESCRIPTION	MAX psi	MAX gpm	amp	hz	v	NET lbs	SUGGESTED RETAIL PRICE \$
AR675K - Pro-Consumer UPC: 1 92216 27732 8								
AR675K	Pressure Washer	2,000	1.7	15	60	120	67	\$949.00
Standard Replacement Parts								
PW2551630	High Pressure Hose 25'							\$49.95
PW13-3/8	Spray Gun							\$29.95
PW3005890	Adjustable Spray Nozzle Lance with 1.25 orifice							\$19.95
PW2605B	Garden Hose Adapter Brass Swivel Cone Filter - 3/4" F Inlet x 3/4" F Outlet							\$12.95



ACCESSORIES

GENERAL ACCESSORIES



a



b



c

MOD	EXTENSION HOSE	FITS UNITS	SHIPPING WEIGHT	SHIPPING DIMENSIONS	LIST PRICE
	ft		lbs	in	\$
BC2N1 Wall Mount Kit UPC: 1 92216 43493 7. Wall Mount. Hose Mount.					
a BC2N1-WMKIT	25'	BC2N1HSS, BM2300	7.56	18.6x16.8x7.95	\$49.95
AR600S Wall Mount Kit UPC: 1 92216 60000 3. Wall Mount. Hose Mount.					
b PW600S-WMKIT	25'	AR613, AR675	-	-	\$125.95
Trolley UPC: 1 92216 60000 1					
c PW600S-TK	-	AR613, AR675	-	-	\$119.95



a

Designed to prevent pressure washer operator from getting too close to the surface with the spray while also removing the risk of surface damage and inconsistent streaky results. Prevents muscular distress on back and shoulder. 20% makes cleaning faster, saving time and water. Increases safety with spray pointed away from operator. Attaches with no tools required and can be used on all AR Blue Clean Units.

MOD	DESCRIPTION	LIST PRICE
		\$
Sprayglide UPC: 6 27843 05633 1		
a PWSPRAYGLIDE	Adjust Lance Height	\$19.95

ACCESSORIES



GENERAL ACCESSORIES



MOD	DESCRIPTION	LIST PRICE
-----	-------------	------------

Patio Cleaners

UPC: 1 92216 40829 6 | 1 92216 41581 2

a PW40829	10" Patio Cleaner AR112 - AR388	\$24.95
b PW41581	Twister Patio Cleaner Chemical w/22mm Adapter	\$49.95

Brushes

UPC: 1 92216 09202 0 | 1 92216 09203 7 | 1 92216 09102 3

c PW909202K	Fixed Brush Kit w/Adapters	\$15.95
d PW909203K	Rotary Brush Kit w/Adapters	\$21.95
e PW909102K	Brush Kit w/Adapters	\$35.95



MOD	DESCRIPTION	LIST PRICE
-----	-------------	------------

Gun Kits

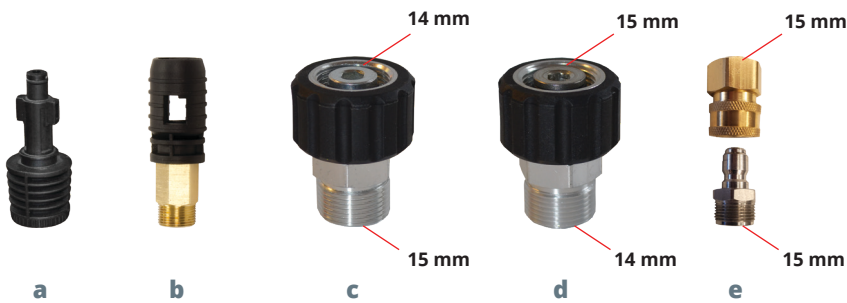
UPC: 1 92216 09100 9 | 1 92216 09300 3 | 1 92216 09050 7

a PW909050K	Electric PW 100 Series Replacement Kit	\$49.95
b PW909100K	Universal Electric PW Gun Replacement Kit	\$55.95
c PW909300K	Pro Universal Electric PW Gun Replacement Kit	\$69.95



ACCESSORIES

ADAPTERS



MOD	DESCRIPTION	LIST PRICE
		\$

Transfer Adapters

UPC: 1 92216 40788 6 | 1 92216 82750 9 | 1 92216 00553 2 | 1 92216 00554 9

a	PW40788	Bayonet Adapter	\$4.95
b	PW3082750	22mm Adapter	\$9.95
c	AL553-B	22mm fitting (Converts 14mm to 15mm plug)	\$9.95
d	AL554-B	22mm fitting, (Converts 15mm to 14mm plug)	\$9.95
e	PW4222930-R	Fitting M22 x 3/8 QC Plug	\$11.95



MOD	DESCRIPTION	LIST PRICE
		\$

Garden Hose Adapters

UPC: 1 92216 93028 5 | 1 92216 04580 4 | 1 92216 09103 0 | 1 92216 04222 3 | 1 92216 42930 7


a	PW909103K-R	QC Filter and Garden Hose Adapter Kit	\$6.95
b	PW4221570-R	Aluminum Garden Hose Adapter	\$7.95
c	PW4221580	Brass Garden Hose Adapter	\$10.95
d	PW2605B	Garden Hose Adapter Brass Swivel Cone Filter - 3/4" F Inlet x 3/4" F Outlet	\$12.95
e	PW1264750	Garden Hose Adapter Brass Swivel Cone Filter - 3/4" F Inlet x 1/2" F Outlet	\$8.95

ACCESSORIES



EXTENSIONS & LANCES



MOD	LENGTH in	 gpm	MAX TEMP ° F	LIST PRICE \$
Extensions UPC: 1 92216 82860 5 1 92216 22460 5				
a PW3082860	15" Extension	10.5	302° F	\$9.95
b PW4222460	22" Extension	10.5	302° F	\$16.95



MOD	DESCRIPTION	LIST PRICE \$
Lance - with Turbo Nozzle UPC: 1 92216 20304 4		
a PW20304	Turbo Nozzle w/Lance for Pro Series Pressure Washers	\$32.95
Underbody Spray Wand UPC: 1 92216 40811 1 1 92216 01140 3		
b PW40811	Underbody Lance for Blue Clean and Blue Maxx Pressure Washers	\$25.95
c PWMVUBL	Pro Underbody Lance (22mm Only) with 15° 3.5 nozzle	\$39.95
Gutter Cleaner UPC: 1 92216 75807 0		
d PW5807	12" in length. 1/4" Quick Connect Inlet. 1/4" Quick Connect Socket.	\$15.95



ACCESSORIES

FLUIDS & NOZZLES



MOD	DESCRIPTION	LIST PRICE
		\$
Detergent - Concentrated		
UPC: 1 92216 64597 4 1 92216 64598 1 1 92216 64599 8		
a ARCTW04	Car and Truck Detergent	\$18.95
b ARCD004	Cleaner & Degreaser Detergent	\$16.95
c ARDFW04	Deck and Fence Detergent	\$17.95
Pump Saver		
UPC: 7 77897 13141 3		
d PW64511	Pump Saver	\$9.95
Oil		
UPC: 1 92216 64549 3		
e PW64545	Crankcase Oil - 4.5 oz (75W-90 Synthetic) Use in Models: XJV, SJV, XJW, SJW, RMV, RMW, SRMW, RQV, RXV & BKV	\$6.95

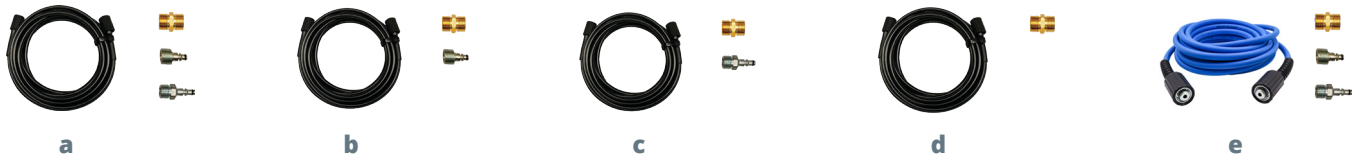


MOD	DESCRIPTION	NOZZLES	MAX	MAX	LIST PRICE
			psi	gpm	\$
Nozzles - Use with Blue Clean Electric Pressure Washers Only					
UPC: 1 92216 09113 9 1 92216 09114 6 1 92216 04680 1					
a PW909113K	3 pack Nozzles	0° Nozzle (Red), 25° Nozzle (Green), Soap Nozzle (Black)	3,000	1.7	\$12.95
b PW909114K-R	4 pack Nozzles	0° Nozzle (Red), 15° Nozzle (Yellow), 25° Nozzle (Green), 40° Nozzle (White)	3,000	1.7	\$15.95
c PW222790	Turbo Nozzle for Blue Clean Pressure Washers		3,000	1.7	\$21.95

ACCESSORIES



HOSE KITS & FOAMER KITS



MOD	DESCRIPTION	LENGTH	 MAX psi	FITTINGS	ADAPTERS	LIST PRICE
		ft		mm		\$

Extension Hose Kits

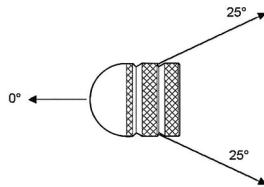
Not for use with AR Speedy Wash, Industrial power washers or AR114 units.

UPC: 1 92216 09101 6 | 1 92216 09199 3 | 1 92216 90930 4 | 1 92216 90931 1 | 1 92216 90932 8

a	PW909UH-R	High Pressure Super Flex Extension Hose	25'	3,000	M-22 x 15mm	Brass Adapter, 100 Series Adapter, 300 Series Adapter	\$32.95
b	PW9091H	High Pressure Super Flex Extension Hose	25'	3,000	M-22 x 15mm	Brass Adapter, 100 Series Adapter	\$29.95
c	PW9093H	High Pressure Super Flex Extension Hose	25'	3,000	M-22 x 15mm	Brass Adapter, 300 Series Adapter	\$29.95
d	PW909XH	High Pressure Super Flex Extension Hose	25'	3,000	M-22 x 15mm	Brass Adapter	\$28.95
e	PW909UFH-BLUE	High Pressure Uber Flex Extension Hose	25'	3,100	M-22 x 15mm	Brass Adapter, 100 Series Adapter, 300 Series Adapter	\$39.95



a-b



MOD	DESCRIPTION	HOSE SIZE	HOSE LENGTH	LIST PRICE
		in	ft	\$

Jetter Kit

UPC: 1 92216 90925 0 | 1 92216 90950 2

a	PWJET25K	3 Rear Jets at 25°, 1 Forward Jet at 0°, AR Blue Clean Adapter, 22mm Adapts to Coupler	1/8"	25'	\$89.95
b	PWJET50K	3 Rear Jets at 25°, 1 Forward Jet at 0°, AR Blue Clean Adapter, 22mm Adapts to Coupler	1/8"	50'	\$115.95



a



b



c

MOD	DESCRIPTION	 MAX psi	 MAX gpm	CONNECTION	MAX TEMP	LIST PRICE
				lbs	° F	\$

Foamer Kits

UPC: 1 92216 04270 4 | 1 92216 04260 5 | 1 92216 05940 5

a	PW4620270	25 oz. Foam Cannon with Bayonet	3,000	1.7	Bayonet Adapter	140° F	\$17.95
b	PW4620260-R	25 oz. Foam Cannon with Quick Connect	3,000	1.7	1/4" QC Plug	140° F	\$19.95
c	PW5940K	Foamer Lance Kit w/3 Attachments: Blue Clean Adapter, 1/4" QC Plug, M22 Fitting	4,000	2.8	1/4" F Inlet	140° F	\$49.95



GENERAL INFORMATION

GENERAL INFO



SPRAY NOZZLE CHART

NOZZLE SIZE	1000 PSI	1200 PSI	1250 PSI	1300 PSI	1500 PSI	1800 PSI	2000 PSI	2100 PSI	2200 PSI	2300 PSI	2400 PSI	2500 PSI	3000 PSI	3200 PSI	3500 PSI	4000 PSI	5000 PSI
2.0	1.00	1.10	1.12	1.14	1.22	1.34	1.41	1.45	1.48	1.52	1.55	1.58	1.73	1.79	1.87	2.00	2.40
2.5	1.25	1.37	1.40	1.43	1.53	1.68	1.77	1.81	1.85	1.90	1.94	1.98	2.17	2.24	2.34	2.50	2.80
3.0	1.50	1.64	1.68	1.71	1.84	2.01	2.12	2.17	2.22	2.27	2.32	2.37	2.60	2.68	2.81	3.00	3.35
3.5	1.75	1.92	1.96	2.00	2.14	2.35	2.47	2.54	2.60	2.65	2.71	2.77	3.03	3.13	3.27	3.50	3.91
4.0	2.00	2.19	2.24	2.28	2.45	2.68	2.83	2.90	2.97	3.03	3.10	3.16	3.46	3.58	3.74	4.00	4.47
4.5	2.25	2.46	2.52	2.57	2.76	3.02	3.18	3.26	3.34	3.41	3.49	3.56	3.90	4.02	4.21	4.50	5.03
5.0	2.50	2.74	2.80	2.85	3.06	3.35	3.54	3.62	3.71	3.79	3.87	3.95	4.33	4.47	4.68	5.00	5.59
5.5	2.75	3.01	3.07	3.14	3.37	3.69	3.89	3.99	4.08	4.17	4.26	4.35	4.76	4.92	5.14	5.50	6.15
6.0	3.00	3.29	3.35	3.42	3.67	4.02	4.24	4.35	4.45	4.55	4.65	4.74	5.20	5.37	5.61	6.00	6.71
6.5	3.25	3.56	3.63	3.71	3.98	4.36	4.60	4.71	4.82	4.93	5.03	5.14	5.63	5.81	6.08	6.50	7.27
7.0	3.50	3.83	3.91	3.99	4.29	4.70	4.95	5.07	5.19	5.31	5.42	5.53	6.06	6.26	6.55	7.00	7.83
7.5	3.75	4.11	4.19	4.28	4.59	5.03	5.30	5.43	5.56	5.69	5.81	5.93	6.50	6.71	7.02	7.50	8.39
8.0	4.00	4.38	4.47	4.56	4.90	5.37	5.66	5.80	5.93	6.07	6.20	6.32	6.93	7.16	7.48	8.00	8.94
8.5	4.25	4.66	4.75	4.85	5.21	5.70	6.01	6.16	6.30	6.45	6.58	6.72	7.36	7.60	7.95	8.50	9.50
9.0	4.50	4.93	5.03	5.13	5.51	6.04	6.36	6.52	6.67	6.82	6.97	7.12	7.79	8.05	8.42	9.00	10.06
9.5	4.75	5.20	5.31	5.42	5.82	6.37	6.72	6.88	7.05	7.20	7.36	7.51	8.23	8.50	8.89	9.50	10.62
10.0	5.00	5.48	5.59	5.70	6.12	6.71	7.07	7.25	7.42	7.58	7.75	7.91	8.66	8.94	9.35	10.00	11.18
12.0	6.00	6.57	6.71	6.84	7.35	8.05	8.49	8.69	8.90	9.10	9.30	9.49	10.39	10.73	11.22	12.00	13.42
15.0	7.50	8.22	8.39	8.55	9.19	10.06	10.61	10.87	11.12	11.37	11.62	11.86	12.99	13.42	14.03	15.00	16.77

VARI SPRAY HEAD ORIFICE SIZE

ORIFICE SIZE (mm)	SPRAYING SYSTEMS SIZE	COLOR	ORIFICE CODE
1.00	02.0	Dark Brown	AL106-180060
1.05	02.2	Pink	AL106-180061
1.10	02.5	Red	AL106-180062
1.15	02.7	Lilac	AL106-180063
1.20	03.0	Bright Yellow	AL106-180064
1.25	03.5	Light Green	AL106-180065
1.30	03.8	Orange	AL106-180066
1.35	04.0	Blue	AL106-180067
1.40	04.5	Beige	AL106-180068
1.45	04.8	Dark Yellow	AL106-180069
1.50	05.0	Light Blue	AL106-180070
1.55	05.5	White	AL106-180071
1.60	06.0	Black	AL106-180072
1.65	06.5	Purple	AL106-180073
1.70	07.5	Brown	AL106-180074
1.75	08.5	Gray	AL106-180075
1.80	09.0	Dark Green	AL106-180076

THEORETICAL SPRAY COVERAGE (INCHES)

SPRAY ANGLE	DISTANCE FROM THE NOZZLE ORIFICE (in)												SPRAY PATTERN	SPRAY ANGLE	% IMPACT/SQ. IN. OF THEORETICAL IMPACT*
	2"	4"	6"	8"	10"	12"	15"	18"	24"	30"	36"				
15	0.5"	1.1"	1.6"	2.1"	2.6"	3.2"	3.9"	4.7"	6.3"	7.9"	9.5"	FAN	15	30%	
25	0.9"	1.8"	2.7"	3.5"	4.4"	5.3"	6.6"	8"	10.6"	13.3"	15.9"	FAN	25	18%	
40	1.5"	2.9"	4.4"	5.8"	7.3"	8.7"	10.9"	13.1"	17.5"	21.8"	26.2"	FAN	40	12%	
50	1.9"	3.7"	5.6"	7.5"	9.3"	11.2"	14"	16.8"	22.4"	28"	33.6"	FAN	50	10%	
65	2.5"	5.1"	7.6"	10.2"	12.7"	15.3"	19.2"	22.9"	30.5"	38.2"	45.8"		65	7%	

Nozzle

*At 12" (30cm) distance from the
THEORETICAL IMPACT OF SPRAYING WATER
Impact Force (lbs) = 0.0526 x GPM x $\sqrt{\text{PSI}}$

$$\text{Nozzle \#} = \text{GPM} \times \sqrt{\frac{4000}{\text{PSI}}}$$

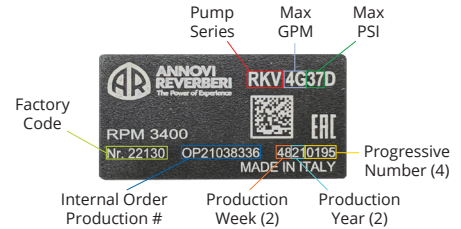
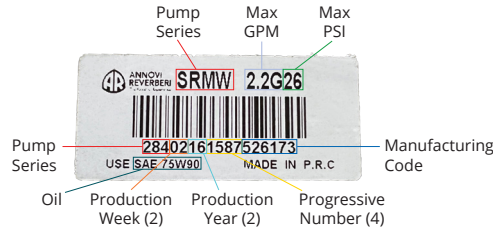
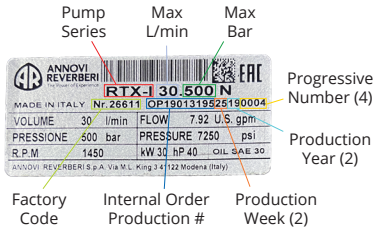
$$\text{GPM} = \text{Nozzle \#} \times \sqrt{\frac{\text{PSI}}{4000}}$$

$$\text{PSI} = (\text{Nozzle \#} / \text{GPM})^2 \times 4000$$



GENERAL INFO

HOW TO READ A.R. NORTH AMERICA PUMP



SUFFIX MEANINGS

PUMP SERIES		RPM RATINGS = PUMP SERIES	SHAFT VERSIONS	UNLOADER CODES
JR	RC	+ A = 1750 RPM	N = Natural Shaft = Solid Shaft	M2 = Minimatic
RK	RG	+ V = 3400 RPM	E = Electric Shaft = 5/8", 1-1/8" Hollow Shaft	C2 = Gymatic
RQ	RM	+ W = 3400 RPM	D = Direct Gas Drive Shaft = 3/4", 1", 7/8" Hollow Shaft	VR = VR35
RS	RR	+ Nothing = 1450 RPM	J = Internal Gear Box Shaft = 25mm Solid Shaft	
RX	RT		V = Tapered Gas Engine Flange = 1" Hollow Shaft	
RW	SH		L = 45mm Shaft Length (standard - 30mm)	
SJ	SX			
XJ	XM			
XT	XW			

Pump Head Types: Anodized Aluminum, B = Forged Brass (XTA2G15EBA-F8), H = Nickel Plated (RK1528HN)

Connecting Rods: A = Aluminum (RKA4G30AD-F24)

Gear Boxes: CR = Gear Box (RKA4G30N-CR)

A.R. Pump Care:

- To prevent freezing use Environmentally Friendly or R.V. Antifreeze. (Always use for winter storage).
- Change oil every 3-5 months or every 500 hours of operation (initial break-in oil change after first fifty hours). DO NOT change oil in the RP, RQ, RM, SRM, RX, SJ & XJ Series Pumps.
- Flush water valves and detergent injectors with plain water on a regular basis after use.
- Use Line Strainer, 50 mesh minimum.
- Never store pump with water in it.
- Consult local service dealer or AR North America for chemical usage.

HELPFUL CONVERSIONS

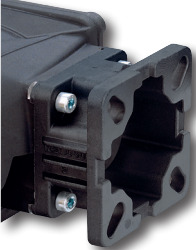






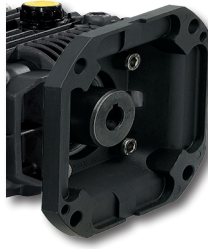
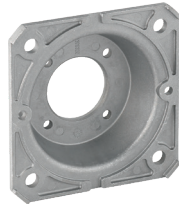
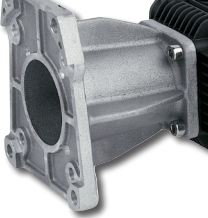

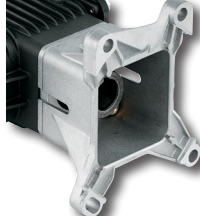
VOLUME & WEIGHT	TORQUE	LENGTH
Gal x 3.786 = Liters	NM x 0.7375 = ft/lbs of torque	0.001 in. x 25.4 = Microns
Gal x 128 = Ounces	NM x 8.85 = in/lbs of torque	Inches x 25.4 = MM
Gal x 231 = Cubic Inches		MM x 0.03937 = Inches
Gal x 8.3453 = Pounds		
Ltr x 61.02 = Cubic Inches		
Ltr x 33.82 = Ounces		
Ltr x 0.2642 = Gallons		
Ltr x 1000 = CM ³		
ML (CC) x 0.338 = Ounces		
Gram x 0.03527 = Ounces		
PSI x 0.0689 = Bar		
Bar x 14.5 = PSI		
In. HG x 0.4912 = PSI		
In. H ₂ O x 0.8226 = In. HG		

Temperature: F° = 1.8 (C° + 17.78) C° = .555 (F° - 32)

Horsepower: $\frac{\text{GPM} \times \text{PSI}}{1457}$ = Elec. Brake HP $\frac{\text{GPM} \times \text{PSI}}{1714}$ = Hydraulic HP

Nozzle: Nozzle # = $\text{GPM} \times \sqrt{\frac{4000}{\text{PSI}}}$ $\text{GPM} = \text{Nozzle \#} \times \sqrt{\frac{\text{PSI}}{4000}}$ $\text{PSI} = (\text{Nozzle \#} / \text{GPM})^2 \times 4000$

FLANGE TYPES

	<p>F7 Flange for SJV, XTV, RCV, RCVU Series 'D' Version (3/4" I.D. Shaft) for close coupling to gas/diesel engines with 3/4" cylindrical shaft and SAE J609a flange.</p> <p>AR1579</p>		<p>F24 Flange for RRV Series 'D' version (1" I.D. Shaft) for coupling to gas/diesel engines. Assembled - includes oil seal, bearing, flange AR41866</p>
	<p>F8 Flange for RCA, RCV, XJV, XTA, XTV Series 'E' version (5/8" I.D. Shaft) and RCV Series 'D' version (3/4" I.D. Shaft) for close coupling NEMA 56-C flange.</p> <p>AR1584</p>		<p>F24 Flange for RKV Series 'D' version (1" I.D. Shaft) for coupling to gas/diesel engines.</p> <p>AR2281510</p>
	<p>F14 Bell Housing and flexible coupling XMA, RKA Series (1-1/8" I.D. Shaft) for NEMA 182-184 flange.</p> <p>F15 Bell housing and flexible coupling XMA, RKA Series (1-3/8" I.D. Shaft) for NEMA 213-215 flange.</p>		<p>F25 Flange XM series 'D' version for close coupling to gas/diesel engines with 3/4" cylindrical shaft and SAE J609a flange.</p> <p>AR1780580</p>
	<p>F17 Flange RRA Series 'E' version (1-1/8" I.D. Shaft) for close coupling NEMA 182-184 flange.</p> <p>AR41882</p>		<p>F33 Flange for RKA-SS XMA(SS), XMV Series 'E' version (5/8" I.D. Shaft) and XMV Series 'D' version (3/4" I.D. Shaft) for close coupling NEMA 56-C flange.</p> <p>AR1780910</p>
	<p>F17 Flange RKA(SS), SXMA, XMA Series 'E' version (1-1/8" I.D. Shaft) for close coupling NEMA 182-184 flange. For RRA Pumps</p> <p>AR41882 - Flange Assembly AR1591</p>		<p>F35 Flange for GRKV Series 'V' version (1" I.D. Shaft) for Tapered Gas Engines</p> <p>AR2280430</p>
	<p>F22 Flange RKA Series 'J' version (25mm Shaft) for 2:1 gear reduction.</p> <p>AR1380311</p>		<p>F40 Flange RSV, SXMV, XM series 'D' version (1" I.D. Shaft) for close coupling to gas/diesel engines with 1" cylindrical shaft and SAE J609a flange.</p> <p>AR2760290</p>



ORDER PROCESS & WARRANTY



HOW TO ORDER:

- **Phone:** Sales Department, Monday-Friday, **763-398-2008** or **1-800-893-4235**.
- **Fax:** Sales Department at **763-398-2009** or **1-800-331-2762**, 24 hours a day, 7 days a week.
Fax Heading: company name, account number, part number, product description, quantity and price.
- **E-Mail:** Sales Department at - **info@arnorthamerica.com**
Subject Line: *Supply Order*, company name, account number, part number, product description, quantity and price.

Minimum Order Requirement: \$25.00

Drop Shipments: \$10.00 service fee.

Special Shipping: Instructions should be highlighted.

Order Confirmation: Order confirmations will not be sent unless requested on order.

SHIPMENT DESCREPANCIES:

Call/ Email to Report Discrepancy: within seven (7) Business days.

- **Phone:** Sales Department, Monday-Friday, **763-398-2008** or **1-800-893-4235**.
- **E-Mail:** Sales Department at - **info@arnorthamerica.com**

***NOTE:** Discrepancies must be reported within seven (7) days. A.R. North America will not be responsible for, nor issue a refund, if notification is not received within the seven (7) business days.

FREIGHT:

- **All Items will be shipped UPS Common Carrier** unless specified
- **All Shipments will be shipped PPD (prepaid).** Freight Cost will be added to invoice.

PAYMENT TERMS:

Open Account: Upon approval of submitted Credit Application, provided by **A.R. North America**.



WARRANTY

WARRANTY QUESTIONS:

Please have your original purchase receipt/invoice ready.

Contact Customer Service: 1-866-235-5112.

Operating Hours: Monday - Friday 8:00 a.m. to 5:00 p.m. Central Standard Time (CST).

WARRANTY BY PUMP TYPE:

- **Cam Shaft Plunger Pumps:** warranted for a period of five (5) years.
- **Axial Radial Pumps:** warranted for a period of one (1) year.
- **Diaphragm Pumps:** warranted for a period of (1) year.
- **Electric Pressure Washers:** warranted for a period of two (2) years.
- **AR600 Series Electric Pressure Washers:** warranted for a period of one (1) year.
- **Accessories:** warranted for a period of (90) Days.

WARRANTY CONDITIONS:

- **Warranty covers/applies to manufacturing defects or workmanship;** that may develop under normal use and service in a manner up to the directions and usage recommended by the manufacturer.
- **Warranty does not apply to normal wear** (such as but not limited to: seals/ packings, valves, plungers and sealing O-rings), freight damage, freezing damage.
- **Warranty does not apply to misuse** when pump or accessories are altered operated above recommended speeds, pressures, or temperatures.
- **Warranty does not apply to damage caused by aftermarket accessories** not included with original unit.

***This warranty is in lieu of all other warranties, expressed or implied, including any warranty of merchantability and of all other obligations or liabilities on the part of the manufacturers or equipment. This warranty gives you specific legal rights, and you may also have other rights that vary from state to state.*

WARRANTY IS VOID WHEN:

- **Used caustic (corrosive) liquids or any chemical not compatible with pump seal material.**
- **Pump has been operated under abrasive or corrosive environments where conditions could cause pump cavitation.**
- **Failure to follow recommended operating and maintenance procedures.**
- **Failure to use OEM replacement parts.**

LIABILITY OF THE MANUFACTURER:

- **Warranty is limited to repair or replacement of parts only.**
- **Warranty products must be inspected by the manufacturer.**

Returned Product will be Repaired or Replaced Free of Charge *if found to be defective and subject to warranty.* After a completed inspection by the manufacturer, warranty is granted/denied at the sole discretion of the manufacturer when such products are found to be of original defect or workmanship at the time it was shipped from factory.



CUSTOMER RETURN LIABILITY:

- **Pumps and Accessories must have a Return RMA#.**
- **Please keep the receipt** as it will be required when submitting a warranty claim. Without the receipt the warranty claim cannot be processed.
- **Shipments without RMA# will be denied.**
- **Under no circumstance** will the manufacture bare any responsibility for loss of unit, loss of time or inconvenience in any manner.
- **Customer is responsible for freight costs to return product for warranty evaluation.**
- **The nozzle(s) being used must be returned** with the pump unit to be considered for warranty. (Where applicable)
- **A Shipping Plug (supplied) must be installed in the pump before shipping** to prevent oil seepage. Failure to secure the plug will result in a maintenance charge.
- **The manufacturer is not liable** for freight damage, insurance, labor, or any consequential damages incurred as a result of defective product.
- **If returned product is found non-warrantable, associated repair costs and return freight are the responsibility of the customer.**

WARRANTY CLAIM PROCESS:

1. **RMA Number:** Call or E-mail
 - **Phone:** 763-398-2008
 - **E-mail:** aliciap@arnorthamerica.com
 - **Subject:** Return Merchandise Authorization Number (RMA#).
 - **Body of E-Mail:** describe issue, provide proof of purchase.
2. **Adhere RMA number** outside of box.
3. **Pack & Ship:** Attn Service Department.

***NOTE:** All products must be flushed of any chemical before being returned to A.R. North America for warranty consideration. A.R. North America reserves the right to scrap any product returned with unknown chemicals and refuse warranty.

Products must be shipped to:

A.R. North America
Attn: Service Department
140 81st Ave NE
Fridley, MN 55432



This catalog cancels all previous ones and can be modified without notice. AR North America, Inc. preserves the right to carry out partial shipments. Characteristics and descriptions are not binding.



**ANNOVI[®]
REVERBERI**
The Power of Experience



**NORTH[®]
AMERICA**
When Quality Matters

A.R. North America Inc.

140 - 81st Avenue Northeast

Fridley, MN USA 55432

Ph. +1 763 398 2008

Fax +1 763 398 2009

info@arnorthamerica.com

www.arnorthamerica.com
