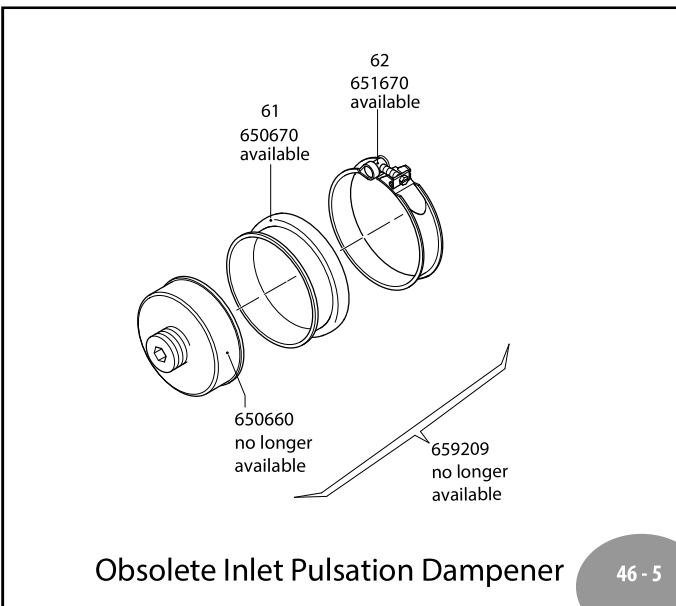
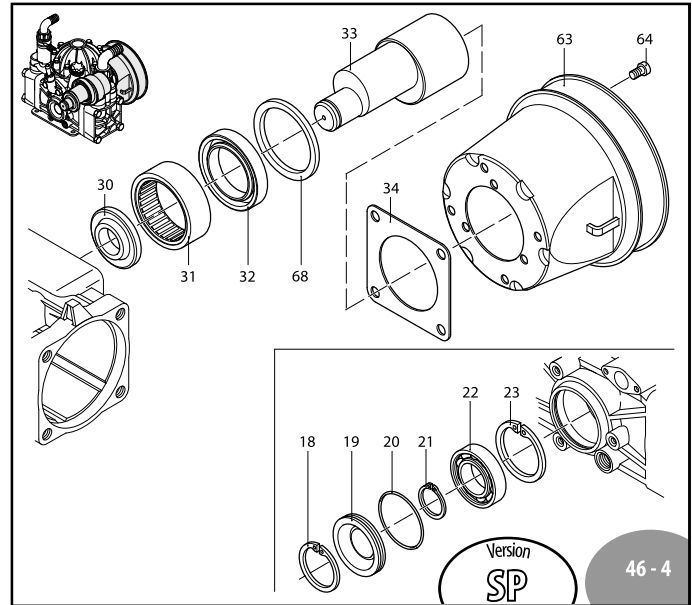
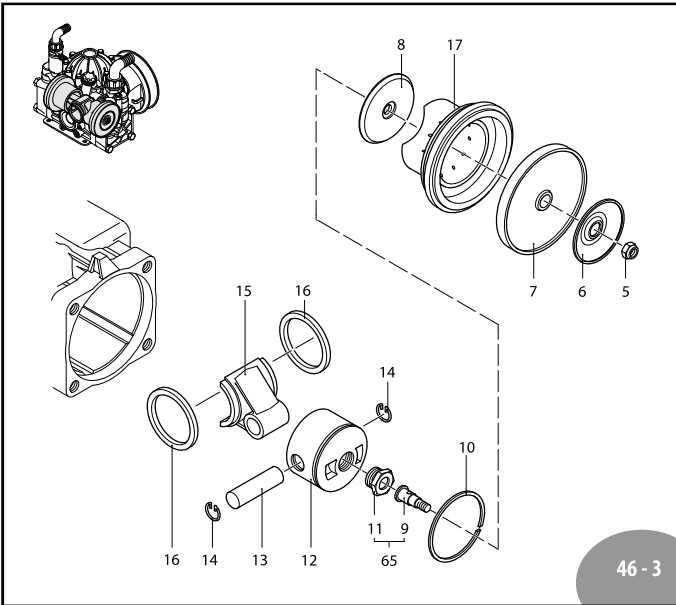
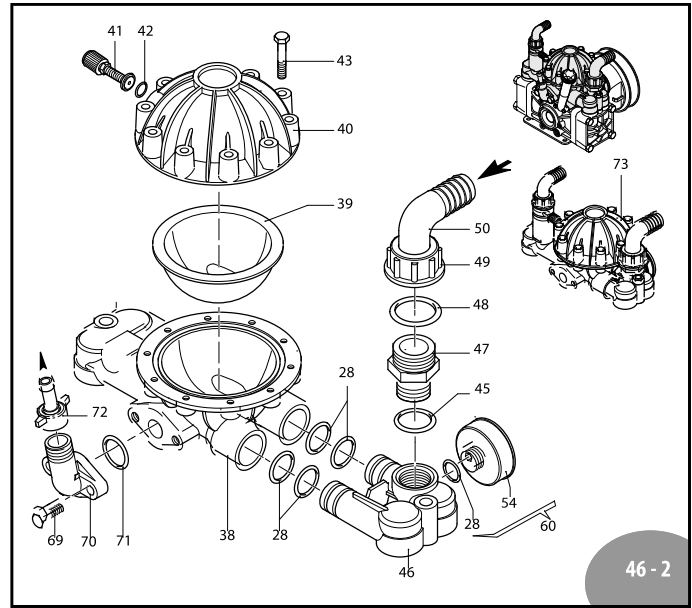
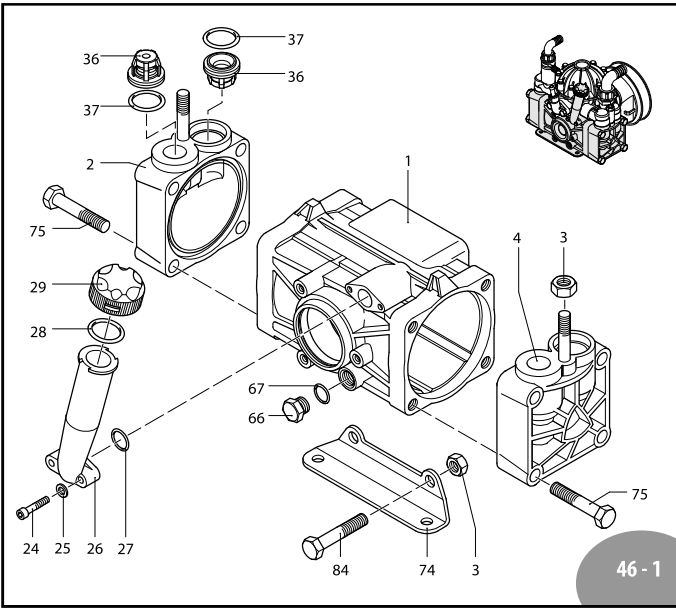


A.R. NORTH AMERICA

AR 50



AR 50

| | | | | |
|------|-------|-------|-----------|---------|
| | SP | SP/A1 | GR3/4-GCI | GRI-GCI |
| AR50 | 31736 | 31737 | 33132 | 31739 |

| Pos | Code | Description | Qty | Note |
|-----|---------|------------------------------|-----|-----------|
| 1 | 650011 | Pump body | 1 | |
| 2 | 650102 | Head | 1 | |
| 3 | 320130 | Nut M12 | 4 | T445* |
| 4 | 650101 | Head | 1 | |
| 5 | 160311 | Nut M8 | 2 | SS T180* |
| 6 | 650390 | Retaining washer | 2 | |
| 7 | 650081 | Diaphragm | 2 | Viton |
| | 650082 | Diaphragm | 2 | NBR |
| | 650085 | Diaphragm | 2 | Desmopan |
| | 650080 | Diaphragm | 2 | BlueFlex™ |
| 8 | 650090 | Retaining washer | 2 | |
| 9 | 650320 | Hub pin | 2 | |
| 10 | 650190 | Piston ring | 2 | |
| 11 | 650061 | Bushing | 2 | |
| 12 | 650121 | Piston Ø 63 | 2 | |
| 13 | 650071 | Pin | 2 | |
| 14 | 160691 | Ring circlip Øi 18 | 4 | |
| 15 | 650142 | Connecting-rod | 2 | |
| 16 | 650130 | Ring connecting rod | 2 | |
| 17 | 650111 | Sleeve | 2 | |
| 18 | 200390 | Ring circlip Øi 62 | 1 | |
| 19 | 650040 | Cover | 1 | |
| 20 | 650920 | O-ring Ø 53.65x2.62 | 1 | |
| 21 | 650480 | Ring circlip Øe 30 | 1 | |
| 22 | 230330 | Bearing | 1 | |
| 23 | 161050 | Ring circlip Øi 72 | 1 | |
| 24 | 850850 | Bolt TCEI M6x30 | 2 | T90* |
| 25 | 550331 | Washer | 2 | |
| 26 | 650030 | Oil sight glass | 1 | |
| 27 | 180101 | O-ring Ø 17.5x2 | 2 | |
| 28 | 550040 | O-ring Ø 26.62x2.62 | 5 | |
| 29 | 550050 | Plug | 1 | |
| 30 | 650160 | Spacer | 1 | |
| 31 | 650200 | Bearing | 1 | |
| 32 | 1400150 | Ring seal | 1 | |
| 33 | 650170 | Shaft marked S | 1 | |
| 34 | 1400140 | Flange | 1 | |
| 35 | 961340 | Washer | 1 | |
| 36 | 659050 | Valve | 4 | |
| 37 | 320030 | O-ring Ø 31.5x4.5 | 4 | |
| 38 | 650180 | Semi air chamber lower | 1 | |
| | 659204 | Semi air chamber | 1 | See ● |
| 39 | 650520 | Diaphragm pulsation dampener | 1 | NBR |
| | 650523 | Diaphragm pulsation dampener | 1 | BlueFlex™ |
| 40 | 650230 | Semi air chamber upper | 1 | Red |
| 41 | 180020 | Air valve | 1 | |
| 42 | 650542 | Gasket | 1 | |
| 43 | 621780 | Bolt TE M8x40 | 10 | T180* |
| 45 | 390290 | O-ring Ø 29x3 | 1 | |

| Pos | Code | Description | Qty | Note |
|-----|---------|-----------------------------------|-----|------------|
| 46 | 650150 | Manifold | 1 | |
| 47 | 450120 | Fitting 1" G - 1" 1/4 G M-M | 1 | |
| 48 | 390290 | O-ring Ø 29x3 | 1 | |
| 49 | 580060 | Ring nut 1" 1/4 G | 1 | |
| 50 | 580040 | Elbow 1 1/4" | 1 | |
| 51 | 650250 | Key | 1 | For 650171 |
| 53 | 650171 | Shaft marked T | 1 | Ø 25 mm |
| | 650178 | Shaft marked U | 1 | Ø 25.4 mm |
| | 650179 | Shaft marked V | 1 | Ø 30 mm |
| 54 | 659213 | Inlet pulsation dampener | 1 | |
| 56 | 650300 | Coupling | 1 | For 650171 |
| 57 | 680350 | Bolt TCEI M8x35 | 1 | T180* |
| 58 | 650490 | Ring seal | 1 | |
| 59 | 650041 | Cover | 1 | |
| 60 | 46730 | Inlet pulsation dampener assembly | 1 | |
| 61 | 650670 | Diaphragm | 1 | NBR |
| | 650671 | Diaphragm | 1 | BlueFlex™ |
| 62 | 651670 | Clamp | 1 | |
| 63 | 1500350 | Shield | 2 | |
| 64 | 820670 | Bolt TCEI M10x16 | 4 | T90* |
| 65 | 659080 | Bushing complete | 2 | |
| 66 | 880530 | Plug 3/8" G | 1 | T180* |
| 67 | 740290 | O-ring Ø 14x1.78 | 1 | |
| 68 | 1400110 | Ring | 1 | |
| 69 | 540290 | Bolt TCEI M8x25 | 2 | T180* |
| 70 | 450145 | Flange | 1 | |
| 71 | 550350 | O-ring Ø 23.81x2.62 | 1 | |
| 72 | 110130 | Ring nut 1/2" | 1 | |
| 73 | 43518 | Accumulator Assy | 1 | BlueFlex™ |
| | 1523 | Accumulator Assy | 1 | NBR |
| 74 | 320392 | Base | 2 | |
| 75 | 750060 | Bolt TE M12x65 | 8 | T445* |
| 81 | 380241 | Washer | 3 | |
| 82 | 1200521 | Spacer | 3 | |
| 83 | 680350 | Bolt TCEI M8x35 | 3 | T90* |
| 84 | 750060 | Bolt TE M12x65 | 2 | T265* |
| 86 | 330170 | Plug Lower Air Chamber | 1 | Not shown |
| 87 | 180101 | O-Ring for lower air chamber plug | 1 | Not shown |

● With plug and o-ring for version without safety valve.

* Torque: in-lbs +/- 10%

Medium pressure

| AR 43290 Buna diaphragms | |
|---|-----|
| AR 43293 BlueFlex™ diaphragms | |
| AR 43291 Desmopan diaphragms | |
| Pos. | Qty |
| 7 | 2 |
| 37 | 4 |
| 39 | 1 |

| AR 1920 Valves | |
|--------------------------|-----|
| Pos. | Qty |
| 36 | 4 |
| 37 | 4 |

| AR 1919 O-Rings | |
|---------------------------|-----|
| Pos. | Qty |
| 20 | 1 |
| 27 | 2 |
| 28 | 5 |
| 37 | 4 |
| 42 | 1 |
| 45 | 1 |
| 67 | 1 |
| 71 | 1 |

| Suggested oil | |
|---------------------------------|----|
| Type | Oz |
| AR64532D | 32 |
| Crankcase Oil Capacity 36 oz | |