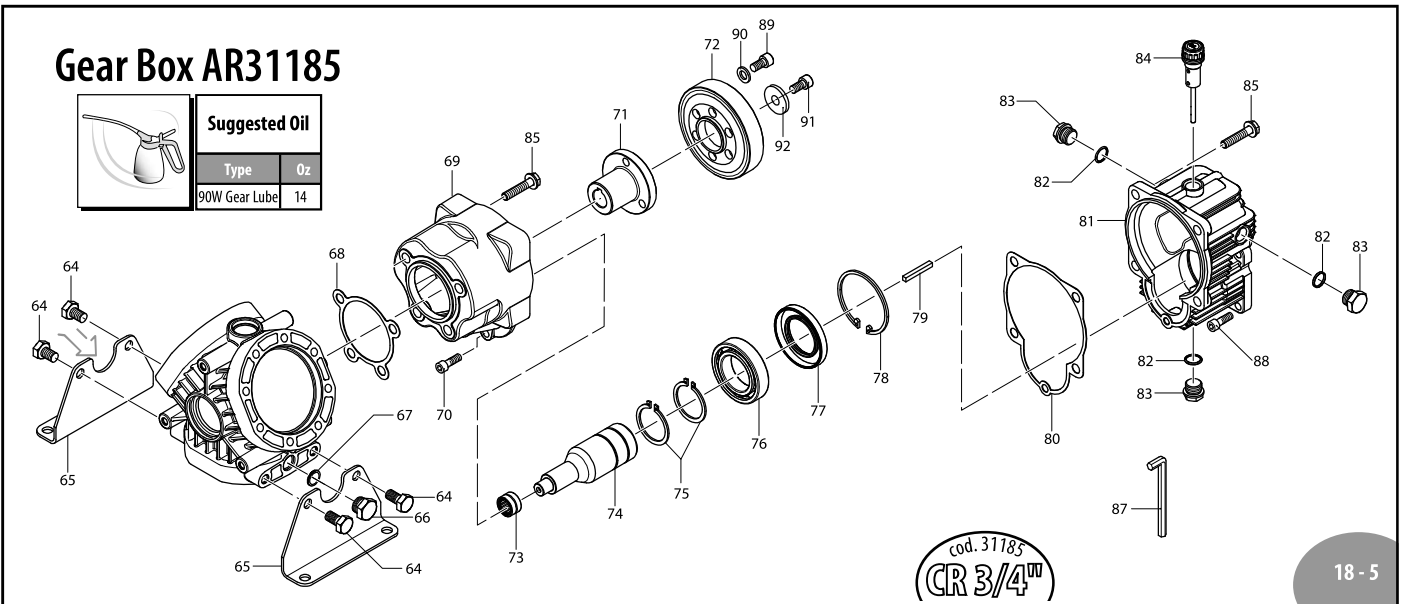
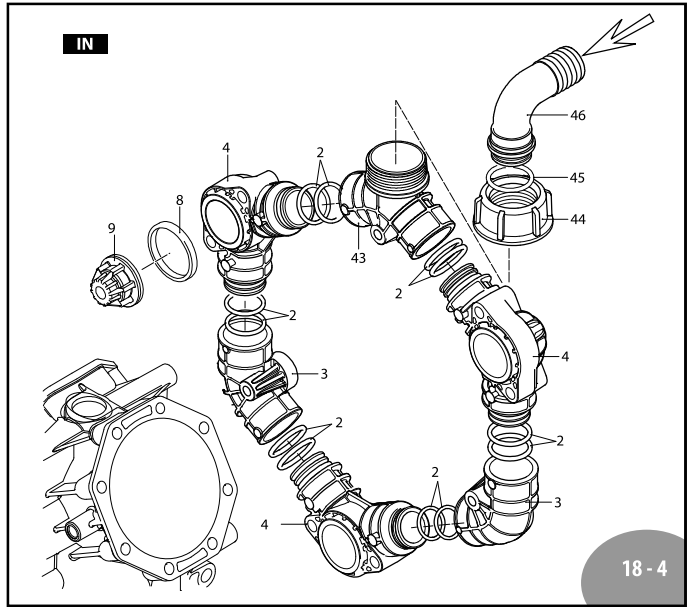
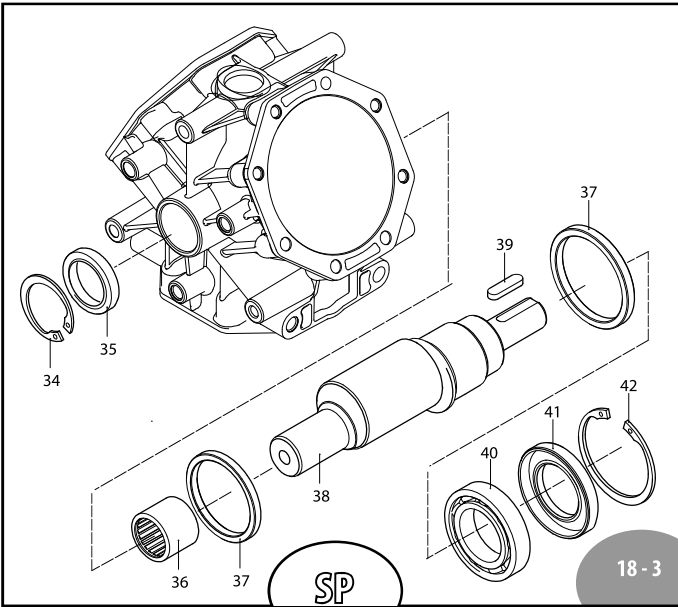
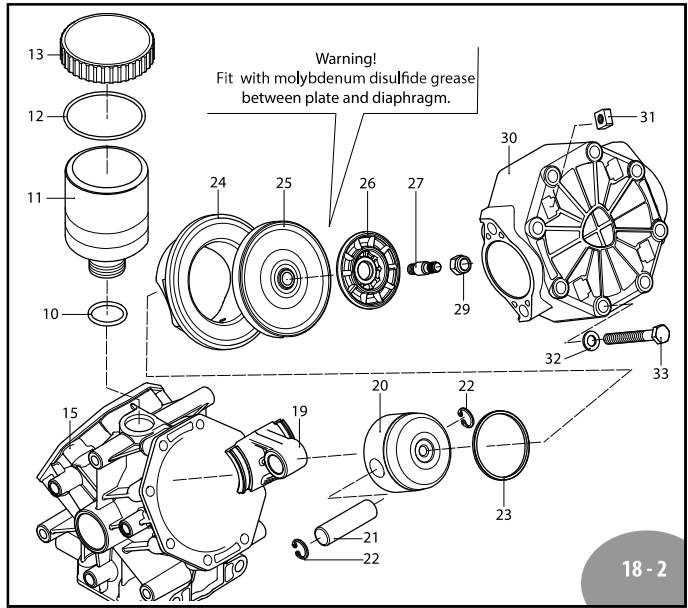
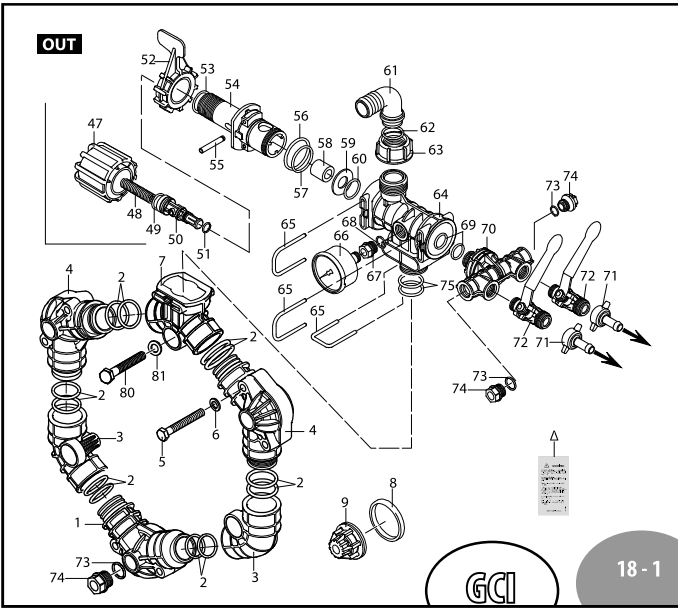


# A.R. NORTH AMERICA

## AR 60LFP / AR 80LFP GR



# AR 60LFP / AR 80LFP GR

Low pressure

Pos	Code	Description	Qty	Note
1	3240031	Manifold 3/8" G	1	
2	390292	O-ring Ø 28.25x2.62	24	Viton
3	3240040	Manifold	4	
4	3240030	Manifold	5	
5	380211	Bolt	12	SS T88*
6	3120760	Washer	12	SS
7	3240080	Manifold	1	
8	3460380	Gasket	6	Viton
9	2429051	Valve AISI 316L	6	
10	720030	O-ring Ø 22.22x2.62	1	
11	3120240	Oil reservoir	1	T177*
12	650920	O-ring Ø 53.65x2.62	1	
13	1040322	Plug	1	
15	3240010	Pump body	1	
16	620342	Bolt TE M10x20	4	SST265*
17	880530	Plug 3/8" G	1	T177*
18	740290	O-ring Ø 14x1.78	1	
19	3240120	Connecting-rod	3	
20	1040120	Piston Ø 63	3	
21	1040070	Pin	3	
22	1040270	Ring Circlip Øi 15	6	
23	650190	Piston ring	3	
24	3240140	Sleeve	3	
25	1040082	Diaphragm Øe 105	3	Viton
26	3240110	Plate	3	
27	3240101	Hub pin AISI 316L	3	T265* (a)
29	2240670	Nut M 10 AISI 316L	3	T177**
30	3240020	Head	3	
31	3120510	Nut M8	12	SS
32	3120760	Washer	24	SS
33	621771	Bolt TE M8x80	24	SS T124*
34	480900	Ring Circlip Øi 35	1	
35	1300230	Ring	1	
36	3460110	Bearing	1	
37	3240320	Ring	2	
38	3240180	Shaft	1	AR60LFP
39	3240190	Shaft	1	AR80LFP
39	2280950	Key	1	
40	961780	Bearing	1	
41	3120160	Ring	1	
42	961790	Ring Circlip Øi 68	1	
43	3240050	Manifold	1	
44	750670	Ring nut 1-1/2" G	1	
45	1880460	O-ring Ø 29x3	1	Viton
46	50267	Elbow Ø 40	1	
47	3240440	Knob	1	
48	3240410	Spring	1	
49	480441	O-ring Ø 17.13x2.62	1	Viton
50	3240380	Piston	1	
51	391001	O-ring Ø 9.13x2.62	1	Viton
52	1880210	Ring nut	1	
53	961240	O-ring Ø 31.47x1.78	1	
54	3240360	Body	1	

Pos	Code	Description	Qty	Note
55	1880240	Pin	1	
56	660171	O-ring Ø 31.42x2.62	1	
57	394211	O-ring Ø 29.82x2.62	1	Viton
58	3240391	Piston	1	
59	3240421	Plug	1	
60	720031	O-ring Ø 22.22x2.62	1	Viton
61	3120460	Elbow Ø 25	1	
62	1140451	O-ring Ø 20.24x2.62	1	Viton Green
63	3120440	Ring nut 1" G	1	
64	3240350	Box	1	
65	3460210	Fork	3	
66	1880340	Pressure gauge Ø 50	1	to 50 bar
67	1880250	Fitting	1	
68	2840891	O-ring Ø 14x2	1	Viton Green
69	400441	O-ring Ø 17.13x2.62	2	Viton
70	3240450	Body	1	
71	110130	Ring nut 1/2" G	2	
72	1880492	Valve 3/8"G-1/2"GM-M SX	2	
73	2840891	O-ring Ø 14x2	3	Viton Green
74	3120690	Plug 3/8" G	3	T17*
75	50351	O-ring Ø 23.81x2.62	2	Viton
77	961800	Ring	1	
78	961790	Ring Circlip Øi 68	1	
79	881090	Key	1	
80	3240280	Bolt TE M8x55	6	SS C12
81	390315	Washer	6	SS
83	1980740	Plug Brass 3/8" G	3	T177*
84	1140370	Plug	1	
85	540300	Bolt TCEI M10x30	8	T217*
87	1380630	Key	1	
88	651000	Bolt TCEI 5/16" 24 UNF 1"	4	T217*
89	620470	Bolt TCEI M10x20	3	T177*
90	200231	Washer	3	
91	880280	Bolt TCEI M6x18	1	T88*
92	780230	Washer	1	
98	180030	Bolt TCEI M8x20	1	T217*
99	620950	Gasket	1	
100	651620	Gear Z=64	1	
101	3120350	Shaft	1	
102	3120360	Gasket	1	
103	320240	Ring Circlip Øe 40	2	
104	620960	Box	1	
105	620990	Bearing	1	
106	621660	Pinion Z=11	1	
107	740290	O-ring Ø 14x1.78	3	
108	961780	Bearing	1	
109	3120340	Flange	1	
110	3240090	Base	2	

(a) Bolt with Loctite 242 thread lock STRONG

\* Torque: in-lbs +/- 10%

AR 42804 BlueFlex diaphragms	
Pos.	Qty
25	3

AR 43138 Valves	
Pos.	Qty
8	6
9	6

AR 42995 O-Rings			
Pos.	Qty	Pos.	Qty
2	24	57	1
8	6	60	1
12	1	62	1
18	1	68	1
45	1	69	2
51	1	73	3
56	1		

Suggested Oil	
Type	Oz
AR64532D	32
Crankcase Oil Capacity 13 oz	

