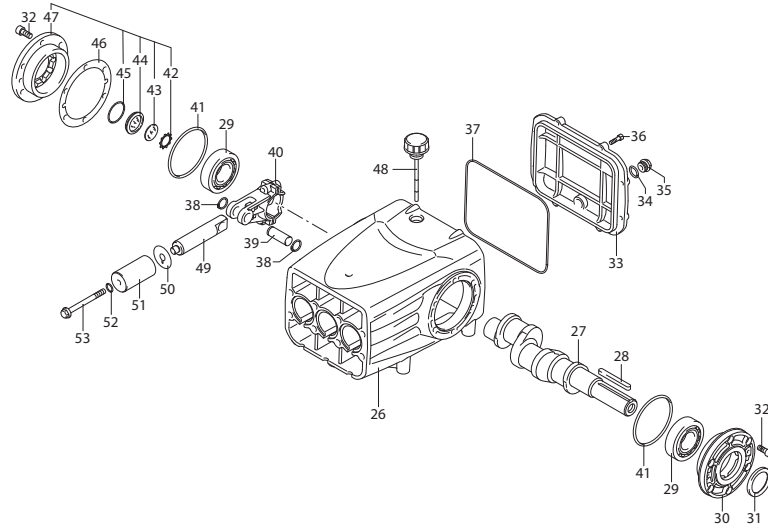
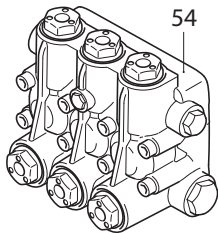


A.R. NORTH AMERICA RTX 1450 RPM



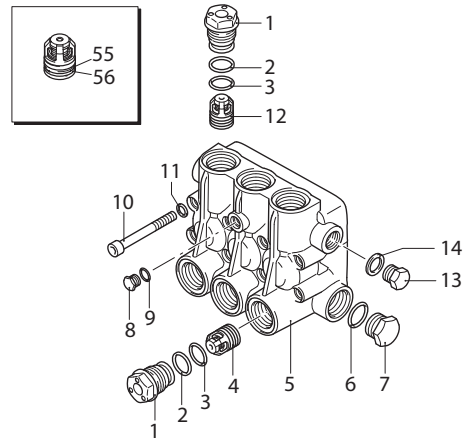
70 - 1

Complete Pump Head



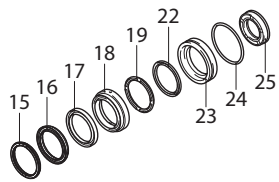
70 - 2

Pump Head



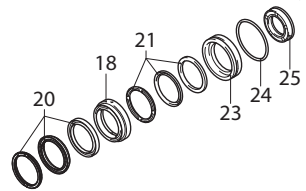
70 - 3

Water Seal & Piston Guides For $\varnothing 30$ & $\varnothing 36$



70 - 4

Water Seal & Piston Guides For $\varnothing 20$ & $\varnothing 25$



70 - 5

RTX 1450 RPM PARTS/KITS

Industrial Pumps

Pos	Code	Description	Qty	Note
1	3660190	Valve Cap (3540 in/lbs)	6	● □ ■
	3660890	Valve Cap (3540 in/lbs)	6	▽ ○ ☒
2	2821390	Fiber Ring	6	
3	1540630	O-Ring Ø23.47x2.62	6	
4	3669050	Complete Valve Sliver Spring	3	
	3660020	Blank Head	1	● □ ■
5	3660880	Blank Head	1	▽ ○ ☒
	390291	O-Ring Ø28.25x2.62	1	
7	2820620	Plug 1" GH (2655 in/lbs)	1	
8	1380690	Plug 1/4" GH (133 in/lbs)	1	
9	820510	O-Ring Ø 10.82x1.78	1	
10	850260	Head Bolt M10x90 (443 in/lbs)	8	
11	650530	Lock Washer	8	
12	3669051	Complete Valve Black Spring	3	
13	2820490	Plug 1/2" GH (221 in/lbs)	1	
14	1540120	Washer	1	
15	3660460	Support Ring Ø30	3	
	3660510	Support Ring Ø36	3	
16	3660480	High Pressure Seal Ø30	3	
	3660530	High Pressure Seal Ø36	3	
17	3660470	Backup Ring Ø30	3	
	3660520	Backup Ring Ø36	3	
18	3660250	Piston Guide Ø20	3	
	3660230	Piston Guide Ø25	3	
	3660210	Piston Guide Ø30	3	
	3660570	Piston Guide Ø36	3	
19	3660490	Low Pressure Seal Ø30	3	
	3660540	Low Pressure Seal Ø36	3	
20	3660390	High Pressure Seal Assembly Ø 20	3	
	2821210	High Pressure Seal Assembly Ø 25	3	
21	3660430	Low pressure Seal Assembly Ø 20	3	
	2821250	Low pressure Seal Assembly Ø 25	3	
22	3660500	Scrapper Ring Ø30	3	
	3660550	Scrapper Ring Ø36	3	
23	3660240	Rear Piston Guide Ø20	3	
	3660220	Rear Piston Guide Ø25	3	
	3660200	Rear Piston Guide Ø30	3	
	3660560	Rear Piston Guide Ø36	3	
24	1320360	O-Ring Ø47.35x1.78	3	
25	3660310	Oil Seal	3	
26	3660010	Pump Body	1	
27	3660060	Solid Shaft 3 ID Stamp	1	▽ ○ ● ■
	3660100	Solid Shaft 1 ID Stamp	1	□ ☒
28	3660320	Key	1	
29	3660290	Bearing	2	
30	3660040	Side Cover Drive Side	1	
31	3660300	Shaft Oil Seal	1	
32	180030	Bolt M8x20 (221 in/lbs)	12	
33	3660030	Rear Cover	1	
34	740290	O-Ring Ø14x1.78	1	
35	2282280	Plug w/Magnet (221 in/lbs)	1	
36	780330	Bolt TCEI M6x20 (88 in/lbs)	8	

Pos	Code	Description	Qty	Note
37	3660360	O-Ring Ø 183.82x2.62	1	
38	3660330	Ring	6	
39	3660090	Connecting Rod Pin	3	
40	3660070	Connecting Rod	3	
41	3660740	O-Ring Ø 83x3	2	
42	1941290	Retainer Ring	1	
43	1941260	Sight Glass Diffuser	1	
44	1941270	Oil Sight Glass	1	
45	100410	O-Ring Ø 34.6x2.62	1	
46	3660260	Shim 0.05 mm	1	
	3660270	Shim 0.10 mm	1	
	3660280	Shim 0.19 mm	1	
47	3660050	Side Cover w/Sight Glass	1	
48	3660350	Oil Cap (Vented Dipstick)	1	
49	3660081	Piston Rod	3	
50	3660180	Washer (Slinger)	2	
51	3660160	Piston Ø20	3	
	3660150	Piston Ø25	3	
	3660140	Piston Ø30	3	
	3660130	Piston Ø36	3	
52	3660340	O-Ring Ø 12x2	3	
53	3660170	Piston Bolt (177 in/lbs)	3	
54	3669205	Complete Head Ø 20	1	▽
	3669202	Complete Head Ø 25	1	○ ☒
	3669201	Complete Head Ø 30	1	● □
	3669200	Complete Head Ø 36	1	■
55	770130	O-Ring Ø 20.35x1.78	6	
56	2821330	Backup Ring Ø 24.1x22x1.2	6	

AR645107 Oil (SAE30) (1.07 gal) - Capacity 76 oz, QTY 1
Pumps are Prefilled with Oil from the Factory.
Change oil every 3-5 months or every 500 hours of operation.
H = Nickel Plated
Tightening torque (Tolerance + 0 ÷ -10%)

OPTIONAL PARTS/KITS				
Pos	Code	Description	Qty	Note
	43555	Hot Water Kit Ø 30	1	
	43556	Hot Water Kit Ø 36	1	

LEGEND				
Symbol	Material	Description		
▽	-	RTX30		Ø 20
○	-	RTX50		Ø 25
●	-	RTX70		Ø 30
□	-	RTX85		Ø 30
■	-	RTX100		Ø 36
☒	-	RTX60		Ø 25

Valve Kit 42835	
Pos.	Qty
4	3
12	3

Piston Kit 42836 (Ø20) Kit 42837 (Ø25) Kit 42838 (Ø30) Kit 42839 (Ø36)	
Pos.	Qty
51	3

Water Seal Kit 42841 (Ø20) Kit 42842 (Ø25)	
Pos.	Qty
20	3
21	3
24	3

Water Seal Kit 42843 (Ø30) Kit 42844 (Ø36)	
Pos.	Qty
15	3
16	3
17	3
19	3
22	3
24	3

Oil Seal Kit 42840	
Pos.	Qty
25	3
31	1
37	1
42	2

Piston Guide Kit 42851 (Ø20) Kit 42852 (Ø25) Kit 42853 (Ø30) Kit 42854 (Ø36)	
Pos.	Qty
18	3
23	3

COUNTRY OF ORIGIN: ITALY
LAST UPDATED: JUNE 2023