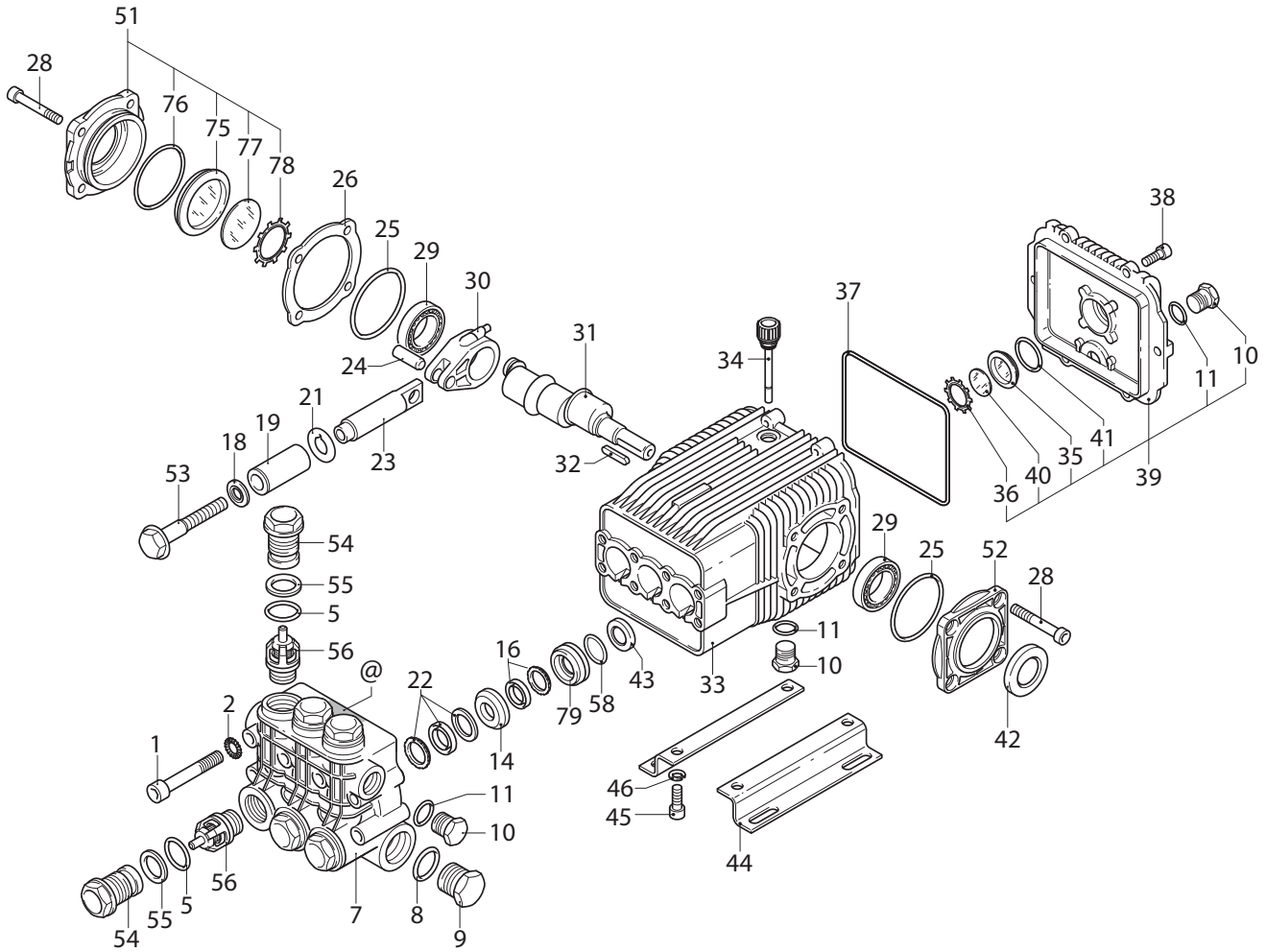


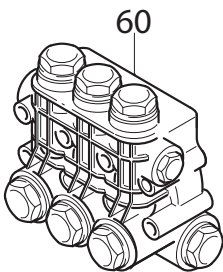
# A.R. NORTH AMERICA

## SXW 1450 RPM/ SXWA 1750 RPM



66 - 1

### Complete Pump Head



66 - 2



# SXW 1450/ SXWA 1750 RPM PARTS/KITS

Commercial Pumps

Pos	Code	Description	Qty	Note
1	1940260	Head Bolt M10x80 (442 in/lbs)	8	
2	650530	Lock Washer	8	
5	880830	O-Ring Ø 15.54x2.62	6	
7	1942530	Blank Pump Head	1	
8	180101	O-Ring Ø 17.5x2	1	
9	820361	Plug 1/2" G Brass	1	
10	1989600	Plug 3/8" G Brass, w/O-ring	3	
11	740290	O-Ring Ø 14x1.78	3	
14	1942470	Front Piston Guide	3	
15	1941350	Support Ring	3	
16	1942690	Low Pressure Seals w/Support Ring	3	
18	1340600	Washer Copper	3	
19	1941020	Piston Ø 18	3	
21	1383190	Washer (Slinger)	3	
22	1942700	High Pressure Seals w/Support Ring	3	
23	1940960	Piston Rod	3	
24	1940060	Connecting Rod Pin	3	
25	1941380	O-Ring Ø 66.34x2.62	2	
26	1941390	Shim 0.05 mm	1-3	
	1941400	Shim 0.10 mm	1-3	
	1941410	Shim 0.19 mm	1-3	
	1941420	Shim 0.25 mm	1-3	
28	850370	Bolt M 8x16 (217 in/lbs)	8	
29	1140410	Bearing	2	
30	1940051	Connecting Rod w/Bolt and Lock Washer (89 in/lbs)	3	
31	1940980	Solid Shaft 24mm, NL, 8 ID Stamp	1	▽
	1940970	Solid Shaft 24mm, NL, 7 ID Stamp	1	○ ■
	1940520	Solid Shaft 24mm, NL, 5 ID Stamp	1	●
	1940170	Solid Shaft 24mm, NL, 2 ID Stamp	1	□
32	650250	Key	1	
33	1941330	Pump Housing	1	
34	1140370	Oil Cap (Vented Dipstick)	1	
35	1260250	Oil Sight Glass	1	
36	1260430	Retainer Ring	1	
37	1940410	O-Ring Ø 132x3	1	
38	1200430	Bolt M6x16	6	
39	1949010	Complete Rear Cover	1	
40	1780690	Sight Glass Diffuser	1	
41	1140450	O-Ring Ø 20.24x2.62	1	
42	820680	Shaft Oil Seal	1	
43	1940560	Oil Seal	3	
44	1940370	Rail 1-1/4"	2	
45	1940380	Bolt M10x18	4	
46	200231	Washer	4	
51	1949011	Side Cover w/Sight Glass	1	
52	1941240	Open Bearing Support	1	
53	1941640	Piston Bolt M6x60 (62 in/lbs)	3	
54	1940940	Valve Cap (531 in/lbs)	6	

Pos	Code	Description	Qty	Note
55	1941070	Fiber Ring	6	
56	1949051	Complete Valve	6	
58	820490	O-Ring Ø 34.65x1.78	3	
60	1949220	Complete Pump Head	1	
75	1941270	Oil Sight Glass	1	
76	100410	O-Ring Ø 34.6x2.62	1	
77	1941260	Sight Glass Diffuser	1	
78	1941290	Retainer Ring	1	
79	1942480	Rear Piston Guide Ø 18	3	

AR64516 Oil (16 oz) - Capacity 32 oz, QTY 2  
Pumps are Prefilled with Oil from the Factory.  
Change oil every 3-5 months or every 500 hours of operation.  
Tightening torque (Tolerance + 0 ÷ -10%)

OPTIONAL PARTS/KITS				
Pos	Code	Description	Qty	Note
	2748	Rail Kit 1-1/4" 2 Rails, 4 Bolts, 4 Washers	1	Pos 44, 45, 46
56a	394280	O-Ring Ø 12.42x1.78	1	
56b	1941040	Fiber Ring	1	

LEGEND		
Symbol	Material	Description
▽	-	SXW15.35 Ø 18
○	-	SXW21.35 Ø 18
●	-	SXWA4G50 Ø 18
□	-	SXWA5.5G50 Ø 18
■	-	SXWA7G50 Ø 18

Valve Kit 2871	
Pos.	Qty
56	6

Piston Kit 2548	
Pos.	Qty
18	3
19	3
21	3

Water Seal Kit 2874	
Pos.	Qty
16	3
22	3
58	3

Oil Seal Kit 2873	
Pos.	Qty
25	2
37	1
42	1
43	3

Piston Guide Kit 42120	
Pos.	Qty
14	1
79	1

**COUNTRY OF ORIGIN: ITALY**  
LAST UPDATED: APRIL 2023