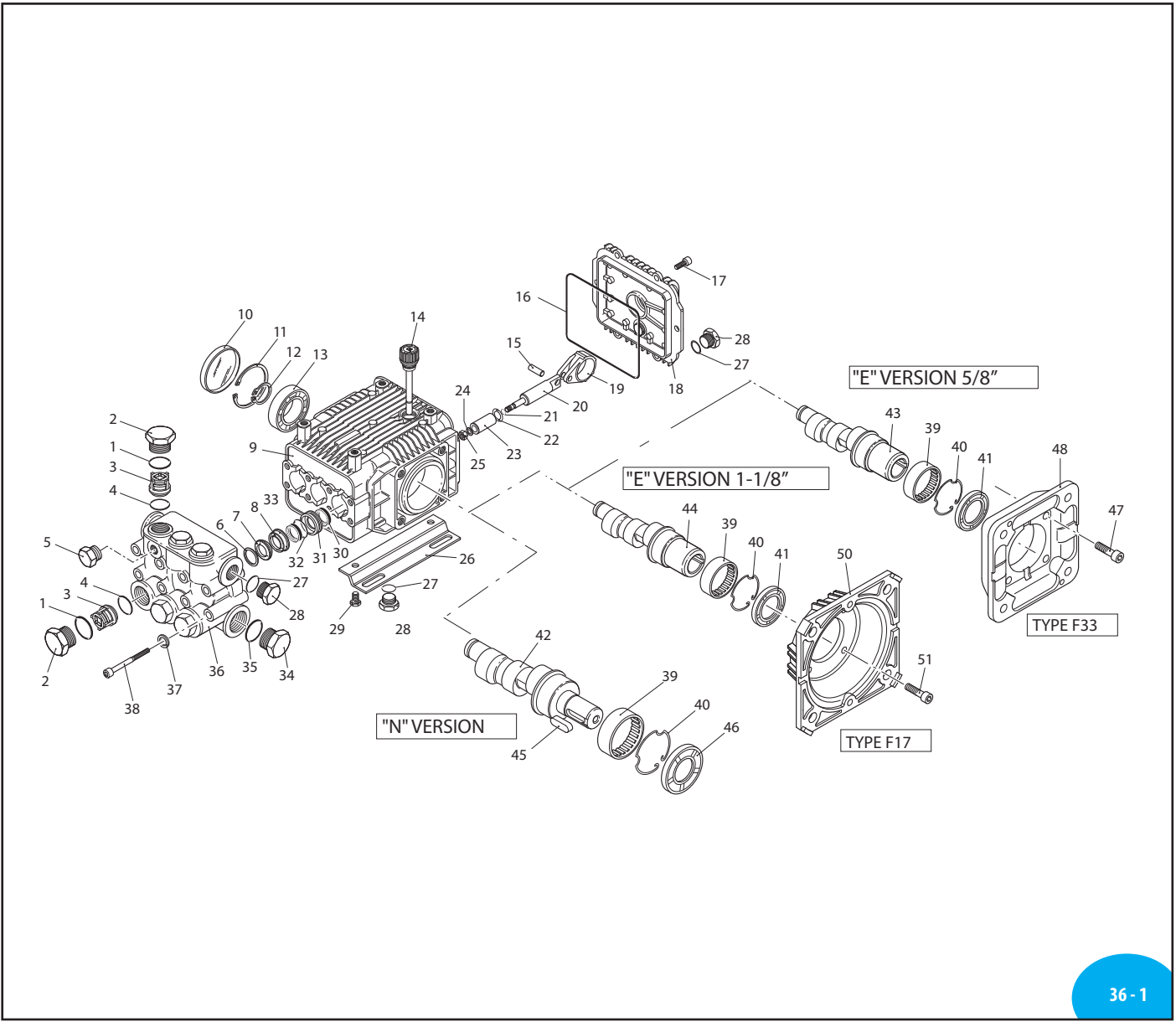
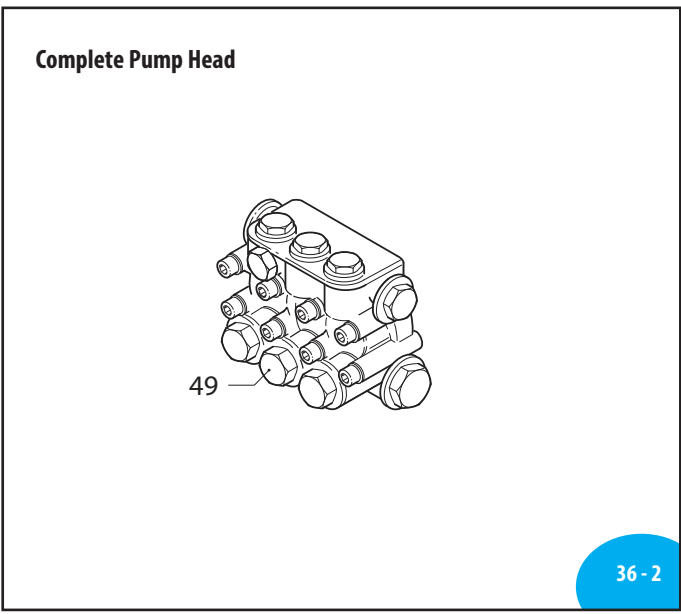


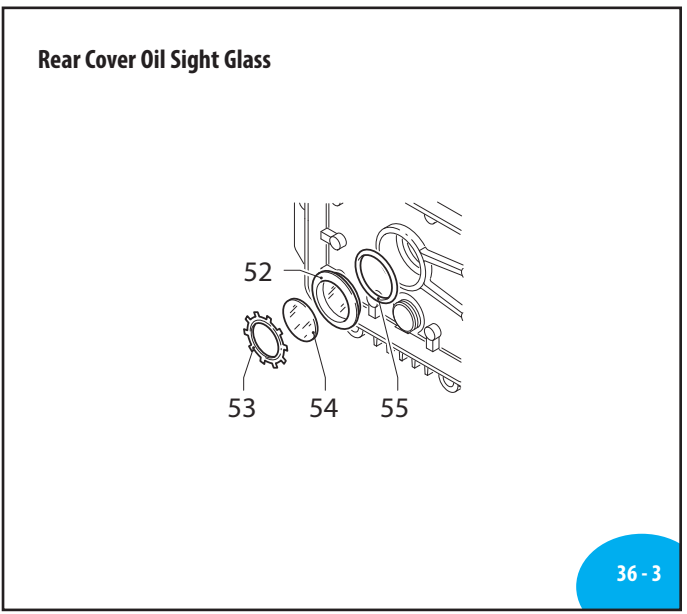
A.R. NORTH AMERICA XMA 1750 RPM



36 - 1



36 - 2



36 - 3

XMA 1750 RPM PARTS/KITS

Commercial Pumps

Pos	Code	Description	Qty	Note
1	960160	O-Ring	Ø 17.86x2.62	6
2	1269657	Valve Cap	w/O-ring, Forged (442 in/lbs)	6
3	1269050	Complete Valve		6
4	880830	O-Ring	Ø 15.54x2.62	6
5	620301	Plug	1/8" G	1
6	1780130	Support Ring	Ø 15	3
	1780140	Support Ring	Ø 18	3
7	1260130	High Pressure Seal	Ø 15	3
	1260220	High Pressure Seal	Ø 18	3
8	1780090	Front Piston Guide	Ø 15	3
	1780110	Front Piston Guide	Ø 18	3
9	1780010	Pump Body		1
10	1266740	Bearing Cap		1
11	1260790	Retainer Ring	Ø i52	1
12	1780550	Retainer Ring	Ø e 20	1
13	1780490	Bearing		1
14	880130	Oil cap (Vented Dipstick)		1
15	1780050	Connecting Rod pin		3
16	1780510	O-Ring	Ø 106x3	1
17	1200430	Bolt	M6x16	6
18	1789010	Rear Cover		1
19	1780040	Connecting Rod	Alum.	3
20	1780060	Piston Rod		3
21	480480	O-Ring	Ø 4.48x1.78	3
22	1260091	Washer	(slinger)	3
23	1780070	Piston	Ø 15	3
	1780080	Piston	Ø 18	3
24	1260100	Washer	8x13x0.50	3
25	1260110	Nut	M8	3
26	1380141	Rail	5/8" (N Version Only)	2
	Z-Bracket 1-3/4	Rail	1-3/4" (N Version Only)	2
Z-Bracket	Rail	2-5/8" (N Version Only)	2	
27	740290	O-Ring	Ø 14x1.78	3
28	1989600	Plug	3/8" G Brass, w/O-ring	3
29	1260470	Bolt	M8x10	4
30	1260460	Oil Seal		3
31	1780100	Rear Piston Guide	Ø 15	3
	1780120	Rear Piston Guide	Ø 18	3
32	770260	O-Ring	Ø 23.52x1.78	3
33	1260440	Low Pressure Seal	Ø 15	3
	1260450	Low Pressure Seal	Ø 18	3
34	820361	Plug	1/2" G	1
35	180101	O-Ring	Ø 17.5x2	1
36	1780020	Blank Head		1
37	1381550	Lock Washer		8
38	1322730	Head Bolt	M6x60	8
39	1321190	Bearing		1
40	1321080	Retainer Ring		1
41	480671	Shaft Oil Seal	(For E Shaft Pumps)	1
42	1780150	Solid Shaft	24mm, 1 ID Stamp	1
	1780170	Solid Shaft	24mm, 3 ID Stamp	1
	1780180	Solid Shaft	24mm, 4 ID Stamp	1
	1780820	Solid Shaft	Ø 3/4"	1

Pos	Code	Description	Qty	Note
43	1781050	Hollow Shaft	Ø 5/8"	1
	1780990	Hollow Shaft	Ø 5/8", 3 ID Stamp	1
	1780950	Hollow Shaft	Ø 5/8", 4 ID Stamp	1
	1781180	Hollow Shaft	Ø 5/8", 5 ID Stamp	1
44	1780290	Hollow Shaft	Ø 1-1/8", 1 ID Stamp	1
	1780300	Hollow Shaft	Ø 1-1/8", 3 ID Stamp	1
45	1380520	Key	(N Version Only)	1
46	1260750	Shaft Oil Seal	(For N Shaft Pumps)	1
47	620610	Bolt	M8x30	4
48	1780910	F33 Flange	Electric Motor	1
49	1789201	Complete Pump Head	Ø 15	1
	1789202	Complete Pump Head	Ø 18	1
50	1591	F17 Flange	Electric Motor	1
51	180030	Bolt	TCEI M8x20	4
52	1260250	Oil Sight Glass		1
53	1260430	Retainer Ring		1
54	1780690	Sight Glass Diffuser		1
55	1140450	O-Ring	Ø 20.24x2.62	1

AR64516 Oil (16 oz) - Capacity 14.5 oz, QTY 1
Pumps are Prefilled with Oil from the Factory.
Change oil every 3-5 months or every 500 hours of operation.
Tightening torque (Tolerance + 0 ÷ -10%)

OPTIONAL PARTS/KITS				
Pos	Code	Description	Qty	Note
	2776	Viton Water Seals Kit	Ø 15	1
	2777	Viton Water Seals Kit	Ø 18	1
	2817	Water Seal Kit for up to 180°F	Ø 15 High Temp	1
	42212	Water Seal Kit for up to 180°F	Ø 15 High Temp (Teflon)	1
	2729	Rail Kit	5/8" - 2 Rails & 4 Bolts	1 Pos 26, 29
	2633	Rail Kit	1-3/4" - 2 Rails & 4 Bolts	1 Pos 26, 29
	2633H	Rail Kit	2-5/8" - 2 Rails & 4 Bolts	1 Pos 26, 29
2	1260162T	Tapped Valve Cap	1/4" Threaded (442 in/lbs)	1
	2740	Support Ring Kit	Ø 15	1 Pos 6
	2745	Support Ring Kit	Ø 18	1 Pos 6

LEGEND			
Symbol	Material	Description	
▽	-	XMA3.5G22, XMA3.5G25	Ø 15
○	-	XMA3G25	Ø 15
●	-	XMA4G20	Ø 18
□	-	XMA2.5G18	Ø 15
■	-	XMA2G22	Ø 15
⊠	-	XMA3G18	Ø 15
⊠	-	XMA3.5G22N (3/4"shaft)	Ø 15

Valve Kit 1864	
Pos.	Qty
3	6
4	6

Piston Kit 2544 (Ø 15) Kit 2545 (Ø 18)	
Pos.	Qty
21	3
22	3
23	3
24	3
25	3

Water Seal Kit 2741 (Ø 15) Kit 2747 (Ø 18)	
Pos.	Qty
7	3
32	3
33	3

Oil Seal Kit 2786 (N) Kit 2787 (E)	
Pos.	Qty
10	1
16	1
30	3
41(E)/46(N)	1

COUNTRY OF ORIGIN: ITALY
LAST UPDATED: APRIL 2023